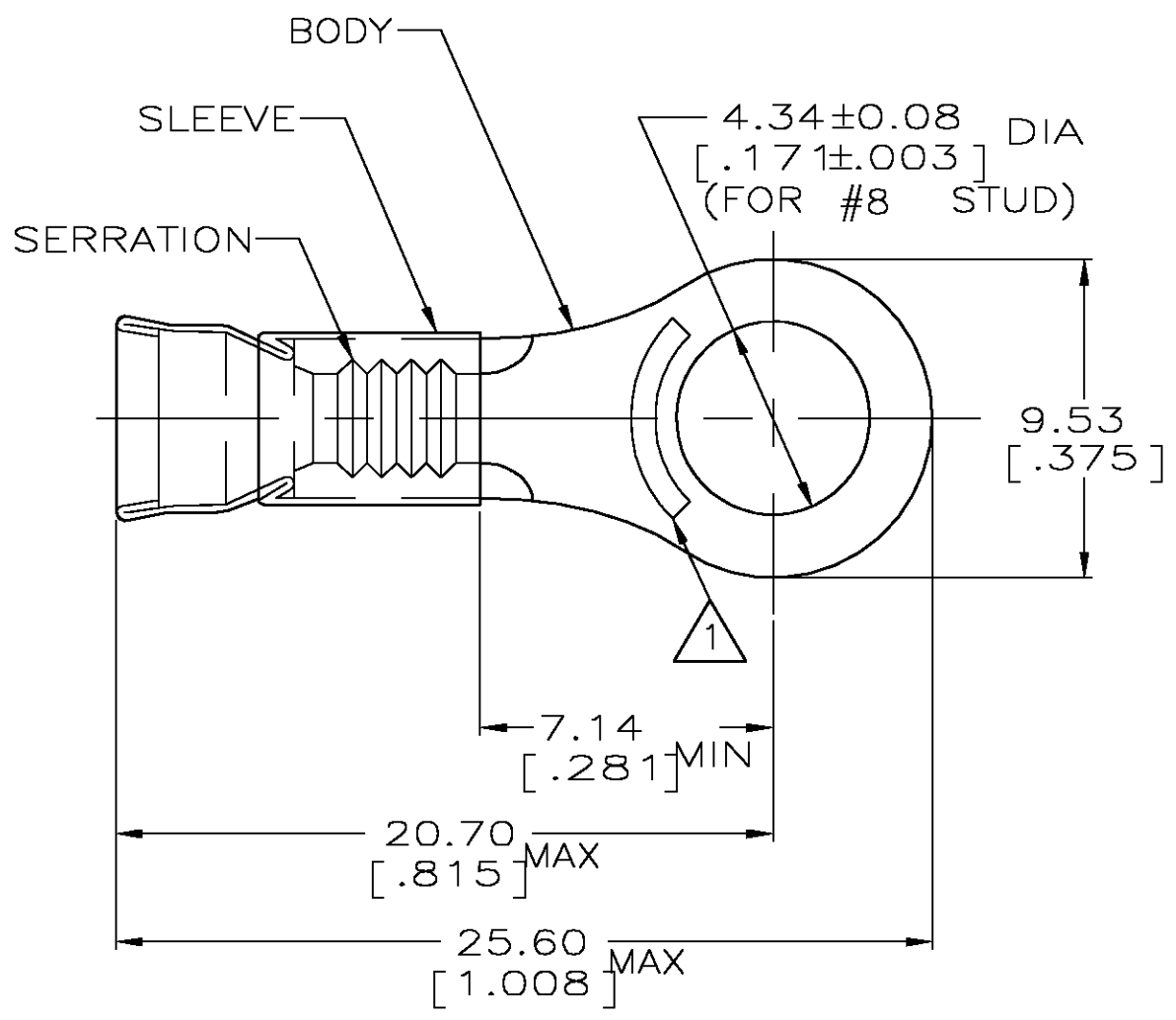


THIS DRAWING IS UNPUBLISHED. RELEASED FOR PUBLICATION
 © COPYRIGHT BY TYCO ELECTRONICS CORPORATION. ALL RIGHTS RESERVED.

| LOC | DIST | REVISIONS | | | |
|-----|------|-------------|----------------------|---------|-------|
| P | LTR | DESCRIPTION | DATE | DWN | APVD |
| G | 14 | R | REV PER 0G3A-0279-03 | 02SEP03 | JR MS |



- 1 SEE TABLE FOR STAMPING
- 2 WIRE INSUL. DIA 3.18-5.84 [.150-.230]
- 3 TONGUE MATL THK, 1.02±0.05 [.040±.002]
- 4 MATERIAL: BODY - SEE TABLE
SLEEVE - NI SIL PER ASTM B122
- 5 MAX RECOMMENDED OPERATING TEMP
649°C [1200°F]
- 6 CIRCULAR MIL AREA 2.62mm²-6.64mm²
[5180-13100] STARND ED WIRE

| | | | | | | |
|----------|-------------|----------------------|-----------|-----|--------------|------------|
| OBSOLETE | AMP 12 10CH | CHROMEL | GRAY | 500 | LOOSE PIECE | 2-323749-1 |
| | AMP 12-10 | NICKEL PER ASTM B162 | ORANGE | 500 | LOOSE PIECE | 323749 |
| | STAMPING | BODY MATERIAL | SLV COLOR | QTY | PACKAGE TYPE | PART NO |

| | | | | |
|---|--|------------------------------|---|---------------|
| THIS DRAWING IS A CONTROLLED DOCUMENT. | | DWN L OLMEDA 100CT94 | Tyco Electronics Corporation Harrisburg, PA 17105 | |
| DIMENSIONS: MM [INCHES] | | CHK M ELLIS 100CT94 | | |
| | | APVD S BORTNER 100CT94 | NAME | |
| TOLERANCES UNLESS OTHERWISE SPECIFIED: 0 PLC ± - 1 PLC ± - 2 PLC ± 0.20 [.008] 3 PLC ± - 4 PLC ± - ANGLES ± - | | PRODUCT SPEC | TERMINAL, RING TONGUE, STRATO-THERM, DIAMOND GRIP, WIRE SIZE: 12-10 AWG | |
| MATERIAL - | | FINISH | APPLICATION SPEC | RESTRICTED TO |
| SEE TABLE | | WEIGHT - | SIZE | CAGE CODE |
| | | CUSTOMER DRAWING | A3 | 00779 |
| | | SCALE 4:1 | DRAWING NO | REV R |
| | | | C-323749 | 1 OF 1 |

X-ON Electronics

Largest Supplier of Electrical and Electronic Components

Click to view similar products for [Terminals](#) category:

Click to view products by [TE Connectivity](#) manufacturer:

Other Similar products are found below :

[00-054007-01074-6](#) [00-054007-70206-1](#) [00-054007-70210-8](#) [00-054007-70217-7](#) [00-054007-70226-9](#) [00-054007-70228-3](#) [00-054007-70248-1](#) [00-054007-70256-6](#) [00-054007-70301-3](#) [00-054007-70316-7](#) [00-054007-49560-4](#) [00-054007-70209-2](#) [00-054007-70225-2](#) [00-054007-70227-6](#) [00-054007-70231-3](#) [00-054007-70241-2](#) [00-054007-70242-9](#) [00-054007-70244-3](#) [00-054007-70246-7](#) [00-054007-70263-4](#) [00-054007-70288-7](#) [00-054007-70290-0](#) [00-054007-70300-6](#) [00-054007-70304-4](#) [01-2065-1-0216](#) [01-2900-1-04412](#) [00581P0075](#) [600TS-10](#) [60205-1](#) [604200-1](#) [605601-1](#) [60598-1-CUT-TAPE](#) [61314-6-C](#) [61810-3](#) [61-S](#) [61-SN](#) [626-0194](#) [62-NBM-A](#) [62-SN](#) [62-SP](#) [63-S](#) [640179-1](#) [M55155/059I03](#) [M55155/079C01](#) [M55155/099H02](#) [M55155/109H01](#) [M55155/109H02](#) [M55155/12XH05](#) [M55155/16XH02](#) [M55155/29-5S](#)