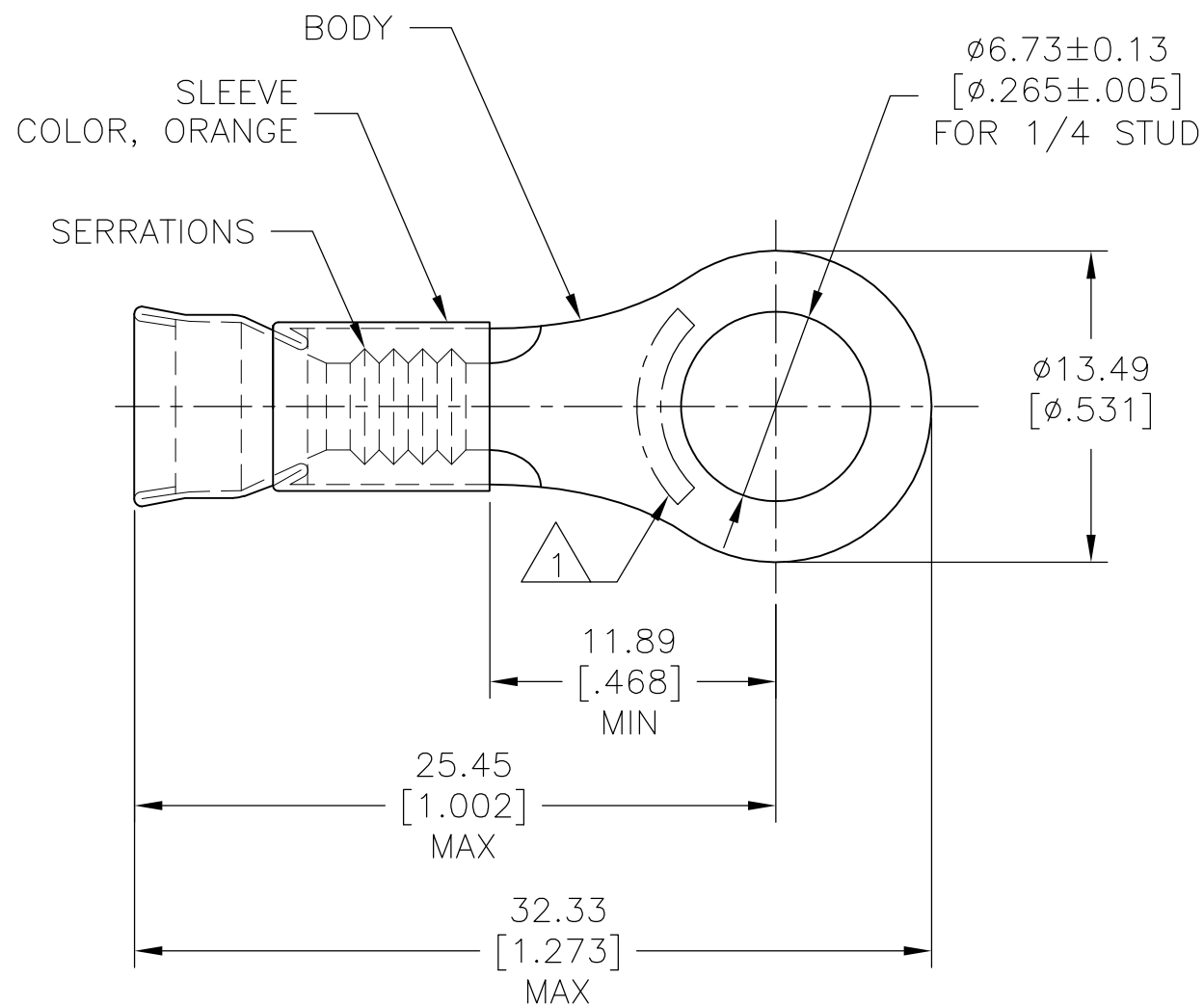


THIS DRAWING IS UNPUBLISHED. RELEASED FOR PUBLICATION
 © COPYRIGHT - By - ALL RIGHTS RESERVED.

REVISIONS					
P	LTR	DESCRIPTION	DATE	DWN	APVD
	H	REL -1 PER 0G3A-0648-00	04OCT00	JR	MS
	H1	REVISED PER ECO-16-017419	13MAR2017	RS	DR



- △ 1 STAMP AMP 12-10 APPROX AS SHOWN.
- 2 WIRE INSUL DIA, $\phi 3.81-5.84$ [$\phi 0.150-.230$].
- 3 TONGUE MATL THK, 1.02 ± 0.05 [$0.040 \pm .002$].
- △ 4 NO ORANGE COLOR CODE ON BARREL TO DENOTE NICKEL MATERIAL.
- △ 5 PRELIMINARY - NOT FOR PRODUCTION.

△ 4	2,500	ON TAPE, REEL	△ 5	323751-2
	500	LOOSE PIECE		323751
	QTY	PACKAGE TYPE		PART NO

AMP INCORPORATED CUSTOMER SERVICE SYSTEM		MAX RECOMMENDED OPERATING TEMPERATURE: 649°C [1200°F]	THIS DRAWING IS A CONTROLLED DOCUMENT.		DWN L OLMEDA 10OCT94	TE Connectivity				
FOR ADDITIONAL PRODUCT INFORMATION OR COPIES OF DRAWINGS AND TECHNICAL DOCUMENTS	PRODUCT INFORMATION CENTER 1-800-522-6752	VOLTAGE RATING: -	DIMENSIONS: mm [INCHES]	TOLERANCES UNLESS OTHERWISE SPECIFIED:	CHK M ELLIS 10OCT94					NAME
FOR APPLICATION TOOLING INFORMATION	TOOLING ASSISTANCE CENTER 1-800-722-1111	CIRCULAR MIL AREA: 2.62mm ² - 6.64mm ² [5180-13100] STRANDED WIRE		0 PLC ± -	APVD S BORTNER 10OCT94	PRODUCT SPEC				
FOR ORDER ENTRY	1-800-526-5142	MATERIAL BODY, NI PER ASTM B162 SLEEVE, NI SIL PER ASTM B122		1 PLC ± -	2 PLC ± 0.20 [.008]	PRODUCT SPEC	APPLICATION SPEC			
				3 PLC ± -	WEIGHT	SIZE		CAGE CODE	DRAWING NO	RESTRICTED TO
				4 PLC ± -	CUSTOMER DRAWING		A3	00779	C-323751	
				ANGLES ± -	SCALE		4:1	SHEET	1 OF 1	REV
				FINISH -						H1

X-ON Electronics

Largest Supplier of Electrical and Electronic Components

Click to view similar products for [Terminals](#) category:

Click to view products by [TE Connectivity](#) manufacturer:

Other Similar products are found below :

[00-054007-01074-6](#) [00-054007-70206-1](#) [00-054007-70210-8](#) [00-054007-70217-7](#) [00-054007-70226-9](#) [00-054007-70228-3](#) [00-054007-70248-1](#) [00-054007-70256-6](#) [00-054007-70301-3](#) [00-054007-70316-7](#) [0-0320562-0](#) [00-054007-49560-4](#) [00-054007-70209-2](#) [00-054007-70225-2](#) [00-054007-70227-6](#) [00-054007-70231-3](#) [00-054007-70241-2](#) [00-054007-70242-9](#) [00-054007-70244-3](#) [00-054007-70246-7](#) [00-054007-70263-4](#) [00-054007-70288-7](#) [00-054007-70290-0](#) [00-054007-70300-6](#) [00-054007-70304-4](#) [01-2065-1-0216](#) [01-2900-1-04412](#) [00581P0075](#) [600TS-10](#) [60205-1](#) [604200-1](#) [605601-1](#) [60598-1-CUT-TAPE](#) [61314-6-C](#) [61810-3](#) [61-S](#) [61-SN](#) [626-0194](#) [62-NBM-A](#) [62-SN](#) [62-SP](#) [63-S](#) [640179-1](#) [M55155/059I03](#) [M55155/079C01](#) [M55155/099H02](#) [M55155/109H01](#) [M55155/109H02](#) [M55155/12XH05](#) [M55155/16XH02](#)