

4

3

2

1

THIS DRAWING IS UNPUBLISHED.

RELEASED FOR PUBLICATION

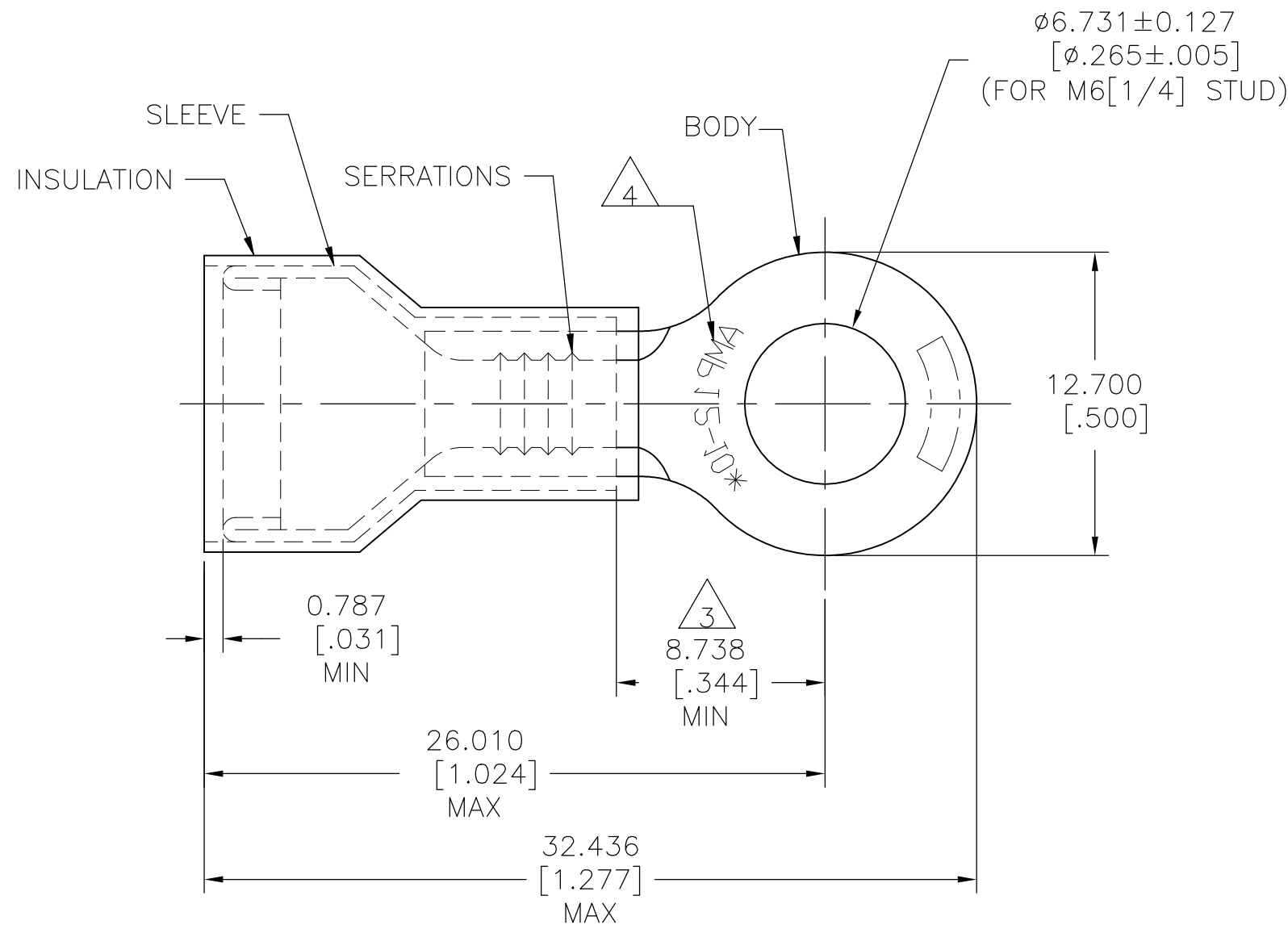
REVISIONS

© COPYRIGHT - TE Connectivity Ltd.

ALL RIGHTS RESERVED.

P	LTR	DESCRIPTION	DATE	DWN	APVD
	G1	REVISED PER ECO ECO-17-008114	14JUN2018	RS	DR

AMP WIRE RANGE	E13288 Listed	LR7189 Certified
12-10 AWG SOLID OR STRANDED	12-10 AWG SOLID OR STRANDED	12-10 AWG SOLID OR STRANDED



- 1 FOR 4.318 TO 7.620 [.170 TO .300] WIRE INSULATION DIA
- 2 TONGUE MATERIAL THICKNESS: 1.016±0.051 [.040±.002]
- 3 APPLIES FROM EDGE OF METAL WIRE BARREL TO CENTER OF STUD HOLE
- 4 STAMP AMP 12-10* APPROX AS SHOWN
- 5 MATERIAL:
BODY & SLEEVE: COPPER PER ASTM B152
INSULATION: PVC
- 6 FINISH:
BODY & SLEEVE: TIN PL PER ASTM B545
INSULATION: COLOR - YELLOW

500	LOOSE PIECE	323763
QTY	PACKAGE TYPE	PART NO

AMP INCORPORATED
CUSTOMER SERVICE SYSTEMS

THIS DRAWING IS A CONTROLLED DOCUMENT.

DWN RAVI S 14JUN2018

CHK ROHDE DANIEL F 14JUN2018

APVD ROHDE DANIEL F 14JUN2018

STE TE Connectivity Ltd.

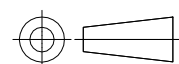
FOR ADDITIONAL
PRODUCT INFORMATION OR
COPIES OF DRAWINGS
AND TECHNICAL DOCUMENTS

PRODUCT INFORMATION CENTER
1-800-522-6752

MAX RECOMMENDED OPERATING
TEMPERATURE:
105°C [221°F]

VOLTAGE RATING:
300 V MAX

DIMENSIONS:
mm [INCHES]



TOLERANCES UNLESS
OTHERWISE SPECIFIED:

0 PLC	± -
1 PLC	± -
2 PLC	± -
3 PLC	± 0.127 [.005]
4 PLC	± -
ANGLES	± -
FINISH	± -

PRODUCT SPEC

UL 486 A-B

APPLICATION SPEC

114-2157

WEIGHT

NAME
TERMINAL
P.I.D.G. - RING TONGUE
WIRE SIZE: 12-10

FOR APPLICATION
TOOLING INFORMATION

TOOLING ASSISTANCE CENTER
1-800-722-1111

WIRE CROSS SECTIONAL AREA RANGE,
2.62-6.64mm²[5,180-13,100]
SOLID OR STRANDED

MATERIAL



FINISH



SIZE	CAGE CODE	DRAWING NO	RESTRICTED TO
A3	00779	C-323763	-

FOR ORDER ENTRY
1-800-526-5142

CUSTOMER DRAWING

SCALE N.T.S. SHEET 1 OF 1 REV G1

X-ON Electronics

Largest Supplier of Electrical and Electronic Components

Click to view similar products for [Terminals](#) category:

Click to view products by [TE Connectivity](#) manufacturer:

Other Similar products are found below :

[00-054007-01074-6](#) [00-054007-70206-1](#) [00-054007-70210-8](#) [00-054007-70217-7](#) [00-054007-70226-9](#) [00-054007-70228-3](#) [00-054007-70248-1](#) [00-054007-70256-6](#) [00-054007-70301-3](#) [00-054007-70316-7](#) [00-054007-49560-4](#) [00-054007-70209-2](#) [00-054007-70225-2](#) [00-054007-70227-6](#) [00-054007-70231-3](#) [00-054007-70241-2](#) [00-054007-70242-9](#) [00-054007-70244-3](#) [00-054007-70246-7](#) [00-054007-70263-4](#) [00-054007-70288-7](#) [00-054007-70290-0](#) [00-054007-70300-6](#) [00-054007-70304-4](#) [01-2065-1-0216](#) [01-2900-1-04412](#) [00581P0075](#) [600TS-10](#) [60205-1](#) [604200-1](#) [605601-1](#) [60598-1-CUT-TAPE](#) [61314-6-C](#) [61810-3](#) [61-S](#) [61-SN](#) [626-0194](#) [62-NBM-A](#) [62-SN](#) [62-SP](#) [63-S](#) [640179-1](#) [M55155/059I03](#) [M55155/079C01](#) [M55155/099H02](#) [M55155/109H01](#) [M55155/109H02](#) [M55155/12XH05](#) [M55155/16XH02](#) [M55155/29-5S](#)