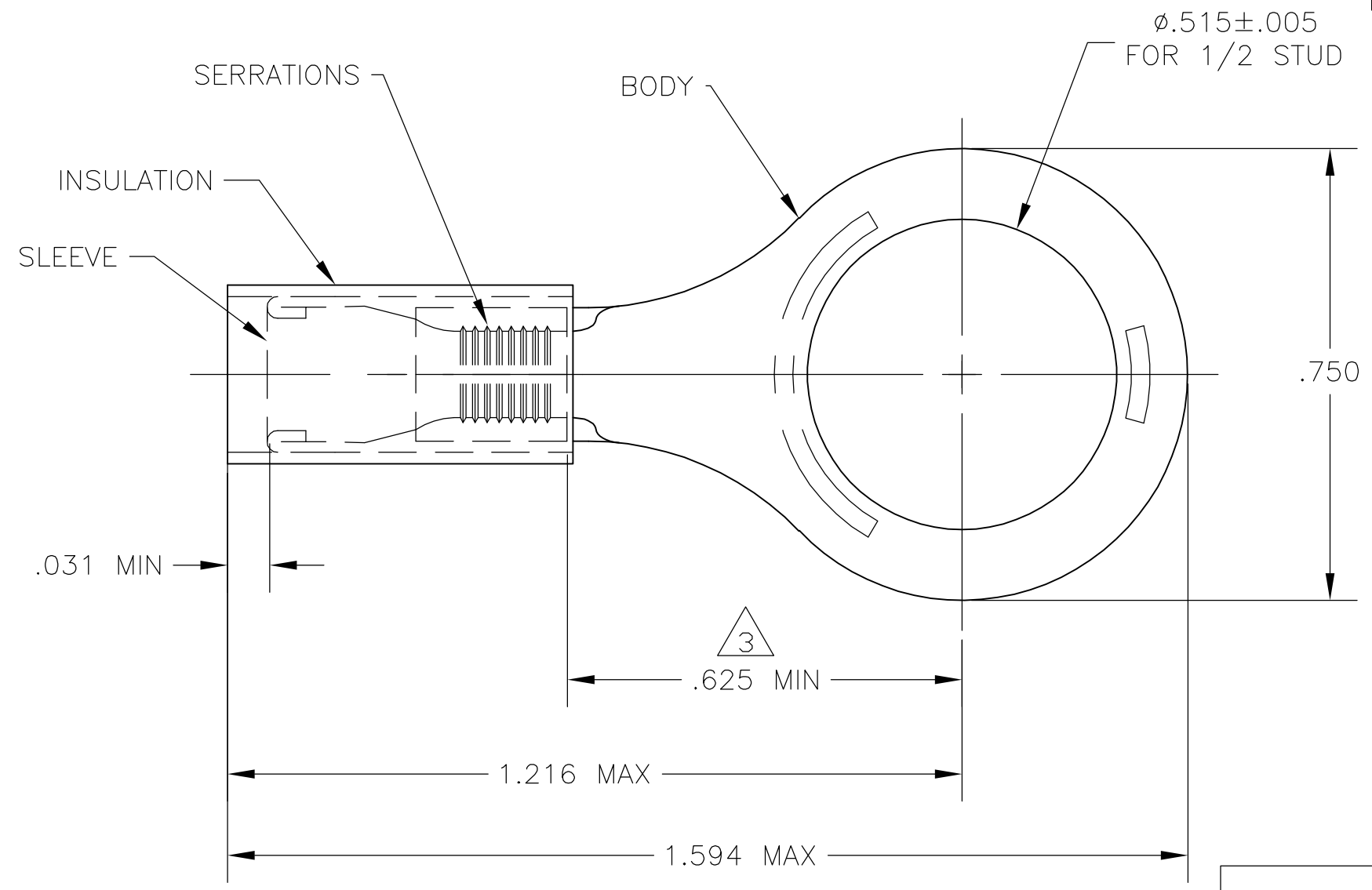


THIS DRAWING IS UNPUBLISHED. RELEASED FOR PUBLICATION
 © COPYRIGHT BY TYCO ELECTRONICS CORPORATION. ALL RIGHTS RESERVED.

LOC	DIST	REVISIONS			
P	LTR	DESCRIPTION	DATE	DWN	APVD
G	14	D1	REV PER ECR 06-020959	30AUG06	JR TM

AMP WIRE RANGE	Listed	LR7189 Certified
12-10 AWG SOLID OR STRANDED	12-10 AWG SOLID OR STRANDED	12-10 AWG SOLID OR STRANDED



- 1 FOR .150 TO .230 WIRE INSULATION DIA.
- 2 TONGUE MATERIAL THK IS .040±.002
- 3 DIMENSION BETWEEN EDGE OF METAL WIRE BBL AND CENTER OF STUD HOLE.
- 4 BODY: COPPER PER ASTM B-152
SLEEVE: NYLON
- 5 BODY: TIN PL PER AST B-545
SLEEVE: COLOR - YELLOW
- 6 PRELIMINARY - NOT FOR PRODUCTION

TAPE & REEL	1,000	BODY & SLEEVE: COPPER B-152 TIN PLATE PER ASTM B545	6 2-323784-1
LOOSE PIECE	500	INSULATION: NYLON (MIL-M-20693) TYPE I, COLOR: YELLOW	323784
PACKAGE TYPE	QTY	MATERIAL & FINISH	PART NO

AMP INCORPORATED
CUSTOMER SERVICE SYSTEMS

FOR ADDITIONAL PRODUCT INFORMATION OR COPIES OF DRAWINGS AND TECHNICAL DOCUMENTS
 PRODUCT INFORMATION CENTER
 1-800-522-6752

FOR APPLICATION TOOLING ASSISTANCE CENTER
 TOOLING INFORMATION
 1-800-722-1111

FOR ORDER ENTRY
 1-800-526-5142

MAX RECOMMENDED OPERATING TEMPERATURE:
 105° C [221° F]

VOLTAGE RATING:
 300 V MAX

WIRE CROSS SECTIONAL AREA RANGE:
 2.62-6.64mm² [5,180-13,000] CIR MILS

THIS DRAWING IS A CONTROLLED DOCUMENT FOR AMP INCORPORATED. IT IS SUBJECT TO CHANGE AND THE CONTROLLING ENGINEERING ORGANIZATION SHOULD BE CONTACTED FOR THE LATEST REVISION.

THIS DRAWING IS A CONTROLLED DOCUMENT.

DIMENSIONS: INCHES

TOLERANCES UNLESS OTHERWISE SPECIFIED:

0 PLC	± -
1 PLC	± -
2 PLC	± -
3 PLC	± .008
4 PLC	± -
ANGLES	± 5°

MATERIAL - 4

FINISH - 5

DWN jr_ruth 27AUG04
 CHK T MICHIELUTTI 27AUG04
 APVD T MICHIELUTTI 27AUG04

PRODUCT SPEC
 UL 486A

APPLICATION SPEC
 114-2157

WEIGHT -

CUSTOMER DRAWING

tyco
Electronics

Tyco Electronics Corporation
 Harrisburg, PA 17105

NAME
 WIRE TERMINAL
 P.I.D.G., RING TONGUE,
 WIRE SIZE: 12-10

SIZE A3 CAGE CODE 00779 DRAWING NO C-323784 RESTRICTED TO -

SCALE 4:1 SHEET 1 OF 1 REV D1

X-ON Electronics

Largest Supplier of Electrical and Electronic Components

Click to view similar products for [Terminals](#) category:

Click to view products by [TE Connectivity](#) manufacturer:

Other Similar products are found below :

[00-054007-01074-6](#) [00-054007-70206-1](#) [00-054007-70210-8](#) [00-054007-70217-7](#) [00-054007-70226-9](#) [00-054007-70228-3](#) [00-054007-70248-1](#) [00-054007-70256-6](#) [00-054007-70301-3](#) [00-054007-70316-7](#) [0-0320562-0](#) [00-054007-49560-4](#) [00-054007-70209-2](#) [00-054007-70225-2](#) [00-054007-70227-6](#) [00-054007-70231-3](#) [00-054007-70241-2](#) [00-054007-70242-9](#) [00-054007-70244-3](#) [00-054007-70246-7](#) [00-054007-70263-4](#) [00-054007-70288-7](#) [00-054007-70290-0](#) [00-054007-70300-6](#) [00-054007-70304-4](#) [01-2065-1-0216](#) [01-2900-1-04412](#) [00581P0075](#) [600TS-10](#) [60205-1](#) [604200-1](#) [605601-1](#) [60598-1-CUT-TAPE](#) [61314-6-C](#) [61810-3](#) [61-S](#) [61-SN](#) [626-0194](#) [62-NBM-A](#) [62-SN](#) [62-SP](#) [63-S](#) [640179-1](#) [M55155/059I03](#) [M55155/079C01](#) [M55155/099H02](#) [M55155/109H01](#) [M55155/109H02](#) [M55155/12XH05](#) [M55155/16XH02](#)