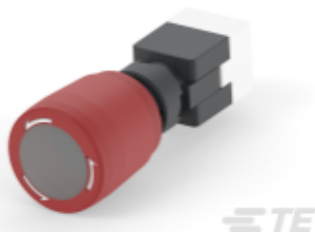


Key Features

- IP65 Rated
- IEC 60947-5-1 & IEC 60947-5-5
- 16mm mounting hole
- Simple Easy Mounting
- Solder to wire or quick connect disconnect terminals
- Gold Plating
- Illuminated & Non-Illuminated
- UL & TUV Agency Approval
- LED & Incandescent
- High Actuation Force

ALCOSWITCH Pushbutton Emergency Stop Switch
Illuminated and Non-Illuminated

PBES16L

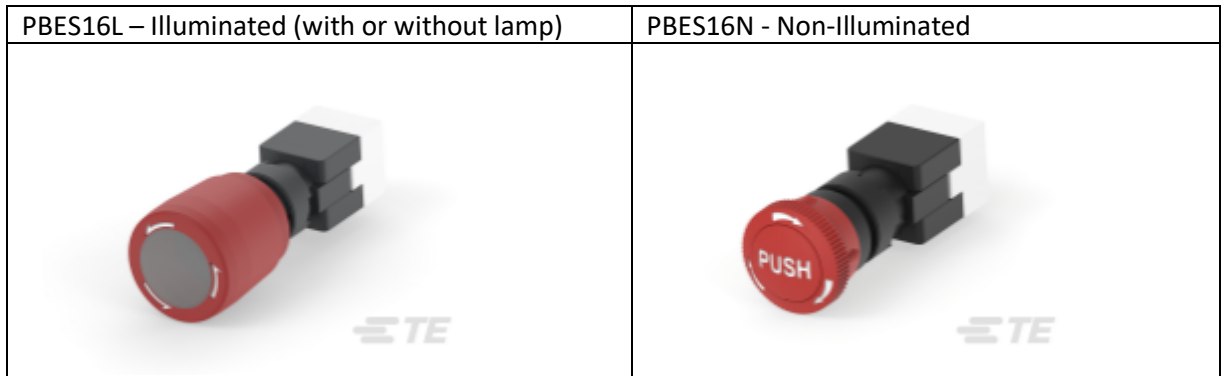


PBES16N

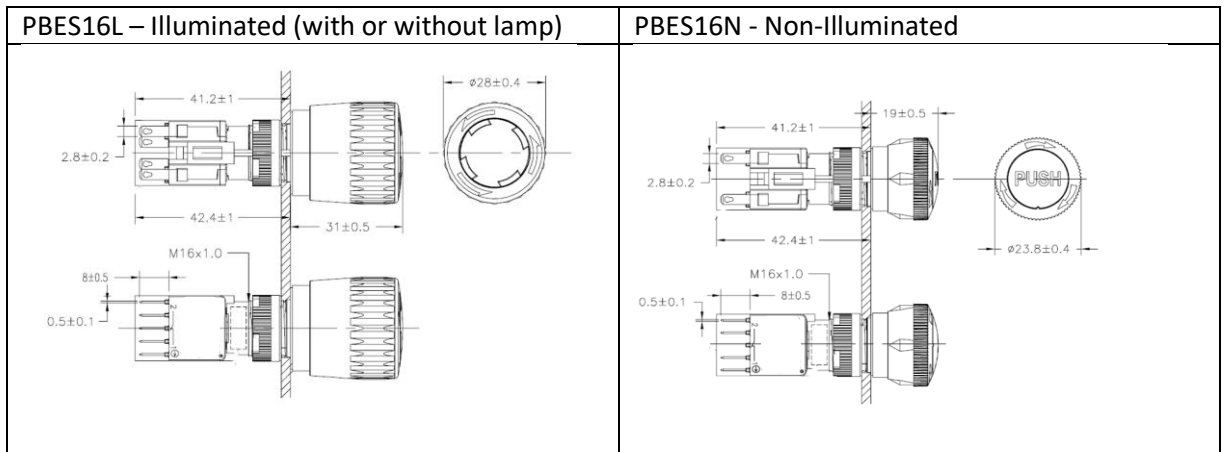
The PBES16 Series Pushbutton Emergency Stop Switch is offered as an Illuminated and Non-Illuminated switch. This series has multiple lighting options, agency approvals, and meets IEC 60947-5-1 & IEC 60947-5-5 standards. This switch is offered with two different actuator button styles. The PBES16 Series has a 20N actuation force for ruggedized applications and to avoid accidental actuations and is IP65 rated to withstand harsh environment.

Product Specification		
Mechanical Life	>100,000 Operations	
Electrical Life	>50,000 Operations	
Motion Tolerance	< 20 Operations/Minute (Mechanical and Electrical Life)	
Degree of Protection	IP65	
Panel Thickness	0.5mm to 5mm	
Mounting Torque	1.1 N-m	
Maximum Insulation Voltage	1500VAC 60Hz, 10mA, 1 Minute	
Insulation Resistance	100MΩ @500 VDC, 100mA, 1 minute	
Storage Temperature	-40°C to +85°C	
Operating Temperature	-25°C to +55°C (-25°C to +70°C Without Lamp)	
Contact Resistance	≤ 50 mΩ (Initial)	
Operating Forces	Push - Lock 20+0/-10N, Turn – Reset 0.06 N-m	
Operating Travel	PBES16L	Push – Lock 3.6 ± 0/-0.6 mm, Turn – Reset CCW 30°
	PBES16N	Push – Lock 3.3 ± 0.3 mm, Turn – Reset CW 30°
Pollution Degree	3	
Electrical Ratings		
Rated Insulation Voltage (Ui)	300V	
Conventional Enclosed Thermal Current (Ithe)	5A	
Rated Operational Voltage (Ue)	125 V	250 V
Utilization Category	Rated Operational Current (Ie)	
AC-15	3	1.5
DC-13	0.22	0.11

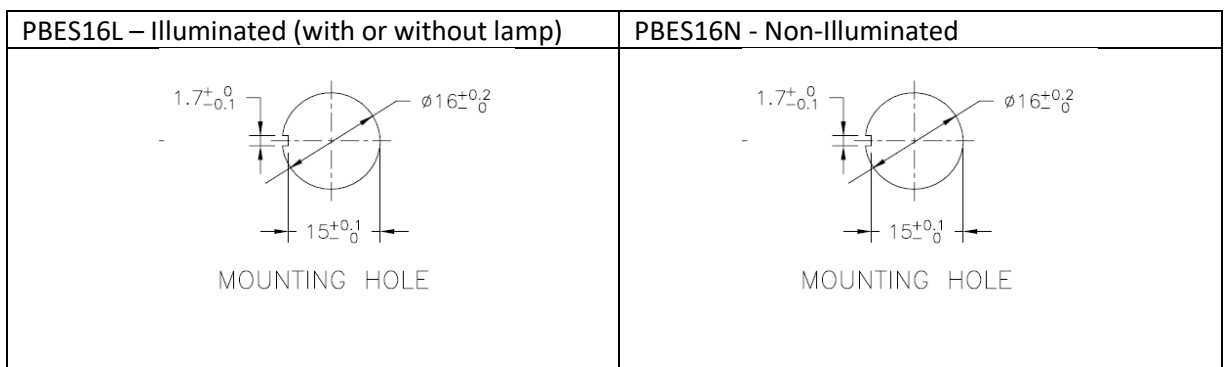
Switch Styles



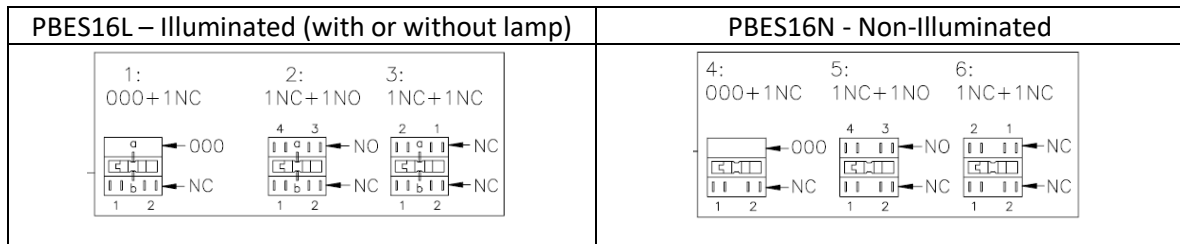
Actuator Button Shape



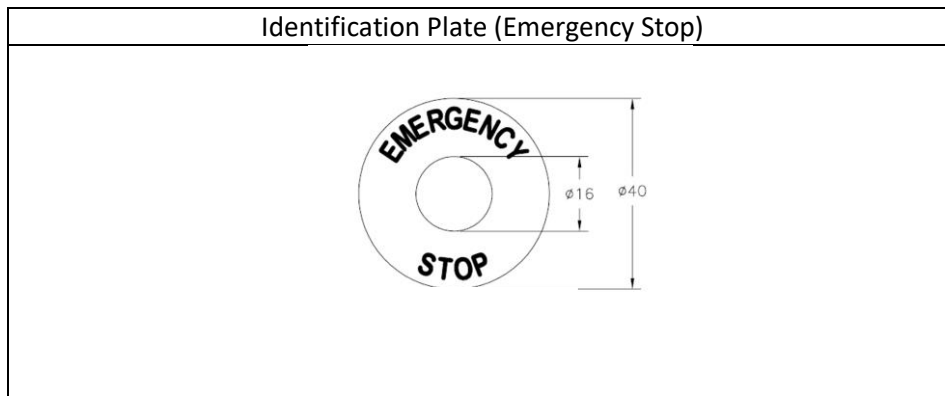
Mounting Hole Shape



Switch Functions

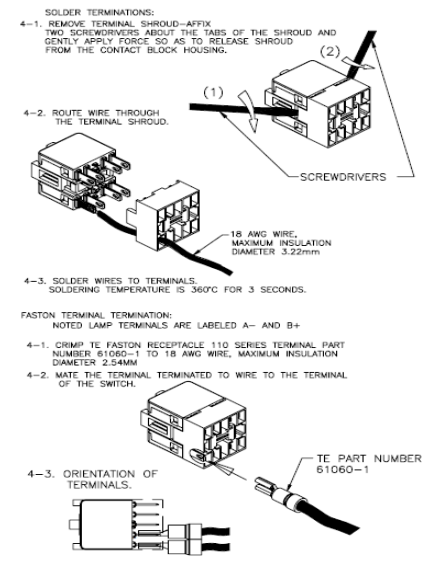
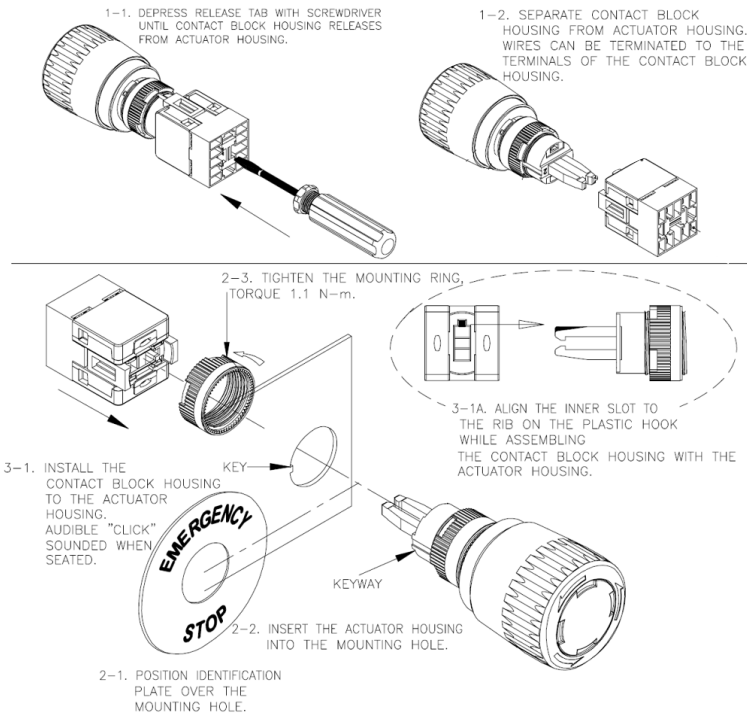


Identification Plate

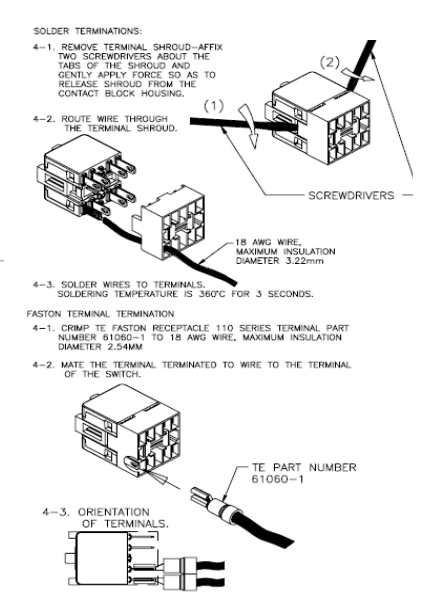
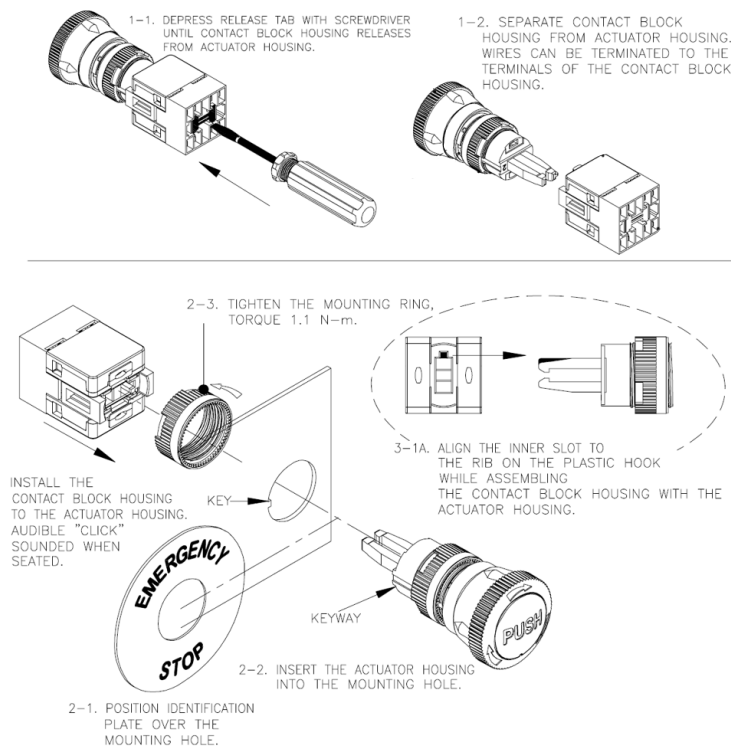


How to Install

PBES16L (With or Without Lamp)



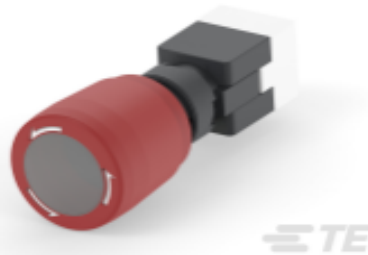
PBES16N Series (Non-Illuminated)



How to Order

PBES16L Illuminated Pushbutton Emergency Stop Switch

With or Without Lamp



Insert character to build TE Smart Part Number *

Model No.	Switch Function	Lamp Options	Actuator Color
PBES16L			R

Switch Function	
1	000 + NC
2	1NC + 1NO
3	1NC + 1NC

Lamp Options	
O	No Lamp
A	LED 6V DC 28mA
B	LED 12V DC 19mA
C	LED 24V DC 12mA
D	LED 12 to 24V AC/DC 11mA
H	INCANDESCENT 6V AC/DC 200mA
I	INCANDESCENT 14 V AC/DC 80mA
J	INCANDESCENT 28V AC/DC 40mA
K	INCANDESCENT 48V AC/DC 25mA
L	INCANDESCENT 60V AC/DC 20mA
M	INCANDESCENT 33V AC/DC 35mA
N	INCANDESCENT 6VAC/DC 40mA
O	INCANDESCENT 14V AC/DC 40mA

Actuator Color	
R	Red

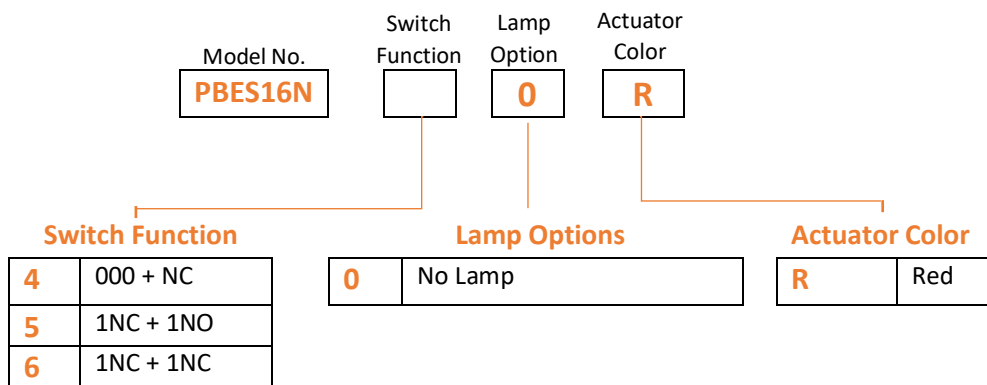
*Complete part number list is on last page.

How to Order

PBES16N Non-Illuminated Pushbutton Emergency Stop Switch



Insert character to build TE Smart Part Number *



*Complete part number list is on last page.

Complete Part Number List

PBES16L Emergency Stop Series					
TE Smart Part Number	Function	Lamp Type	Product Description	TE Part Number	
PBES16L1NR	000 + 1NC	INCANDESCENT 6VAC/DC 40mA	PBES16 28 INCA 6V AC/DC 40mA 000 1NC	2381880-1	
PBES16L1HR		INCANDESCENT 6V AC/DC 200mA	PBES16 28 INCA 6V AC/DC 200mA 000 1NC	2381880-2	
PBES16L1OR		INCANDESCENT 14V AC/DC 40mA	PBES16 28 INCA 14V AC/DC 40mA 000 1NC	2381880-3	
PBES16L1IR		INCANDESCENT 14 V AC/DC 80mA	PBES16 28 INCA 14 V AC/DC 80mA 000 1NC	2381880-4	
PBES16L1JR		INCANDESCENT 28V AC/DC 40mA	PBES16 28 INCA 28V AC/DC 40mA 000 1NC	2381880-5	
PBES16L1MR		INCANDESCENT 33V AC/DC 35mA	PBES16 28 INCA 33V AC/DC 35mA 000 1NC	2381880-6	
PBES16L1KR		INCANDESCENT 48V AC/DC 25mA	PBES16 28 INCA 48V AC/DC 25mA 000 1NC	2381880-7	
PBES16L1LR		INCANDESCENT 60V AC/DC 20mA	PBES16 28 INCA 60V AC/DC 20 mA 000 1NC	2381880-8	
PBES16L1AR		LED 6V DC 28mA	PBES16 28 LED 6V DC 28mA 000 1NC	2381880-9	
PBES16L1BR		LED 12V DC 19mA	PBES16 28 LED 12V DC 19mA 000 1NC	1-2381880-0	
PBES16L1DR		LED 12 to 24V AC/DC 11mA	PBES16 28 LED 12 to 24V AC/DC/11mA 000 1NC	1-2381880-1	
PBES16L1CR		LED 24V DC 12mA	PBES16 28 LED 24V DC 12 mA 000 1NC	1-2381880-2	
PBES16L2NR		1NC + 1NO	INCANDESCENT 6VAC/DC 40mA	PBES16 28 INCA 6VAC/DC 40mA 1NC 1NO	1-2381880-6
PBES16L2HR			INCANDESCENT 6V AC/DC 200mA	PBES16 28 INCA 6V AC/DC 200mA 1NC 1NO	1-2381880-7
PBES16L2OR	INCANDESCENT 14V AC/DC 40mA		PBES16 28 INCA 14V AC/DC 40mA 1NC 1NO	1-2381880-8	
PBES16L2IR	INCANDESCENT 14 V AC/DC 80mA		PBES16 28 INCA 14 V AC/DC 80mA 1NC 1NO	1-2381880-9	
PBES16L2JR	INCANDESCENT 28V AC/DC 40mA		PBES16 28 INCA 28V AC/DC 40mA 1NC 1NO	2-2381880-0	
PBES16L2MR	INCANDESCENT 33V AC/DC 35mA		PBES16 28 INCA 33V AC/DC 35mA 1NC 1NO	2-2381880-1	
PBES16L2KR	INCANDESCENT 48V AC/DC 25mA		PBES16 28 INCA 48V AC/DC 25mA 1NC 1NO	2-2381880-2	
PBES16L2LR	INCANDESCENT 60V AC/DC 20mA		PBES16 28 INCA 60V AC/DC 20 mA 1NC 1NO	2-2381880-3	
PBES16L2AR	LED 6V DC 28mA		PBES16 28 LED 6V DC 28mA 1NC 1NO	2-2381880-4	
PBES16L2BR	LED 12V DC 19mA		PBES16 28 LED 12V DC 19mA 1NC 1NO	2-2381880-5	
PBES16L2DR	LED 12 to 24V AC/DC 11mA		PBES16 28 LED 12 to 24V AC/DC/11mA 1NC 1NO	2-2381880-6	
PBES16L2CR	LED 24V DC 12mA		PBES16 28 LED 24V DC 12 mA 1NC 1NO	2-2381880-7	
PBES16L3NR	1NC + 1NC		INCANDESCENT 6VAC/DC 40mA	PBES16 28 INCA 6VAC/DC 40mA 1NC 1NC	3-2381880-1
PBES16L3HR			INCANDESCENT 6V AC/DC 200mA	PBES16 28 INCA 6V AC/DC 200mA 1NC 1NC	3-2381880-2
PBES16L3OR		INCANDESCENT 14V AC/DC 40mA	PBES16 28 INCA 14V AC/DC 40mA 1NC 1NC	3-2381880-3	
PBES16L3IR		INCANDESCENT 14 V AC/DC 80mA	PBES16 28 INCA 14 V AC/DC 80mA 1NC 1NC	3-2381880-4	
PBES16L3JR		INCANDESCENT 28V AC/DC 40mA	PBES16 28 INCA 28V AC/DC 40mA 1NC 1NC	3-2381880-5	
PBES16L3MR		INCANDESCENT 33V AC/DC 35mA	PBES16 28 INCA 33V AC/DC 35mA 1NC 1NC	3-2381880-6	
PBES16L3KR		INCANDESCENT 48V AC/DC 25mA	PBES16 28 INCA 48V AC/DC 25mA 1NC 1NC	3-2381880-7	
PBES16L3LR		INCANDESCENT 60V AC/DC 20mA	PBES16 28 INCA 60V AC/DC 20 mA 1NC 1NC	3-2381880-8	
PBES16L3AR		LED 6V DC 28mA	PBES16 28 LED 6V DC 28mA 1NC 1NC	3-2381880-9	
PBES16L3BR		LED 12V DC 19mA	PBES16 28 LED 12V DC 19mA 1NC 1NC	4-2381880-0	
PBES16L3DR		LED 12 to 24V AC/DC 11mA	PBES16 28 LED 12 to 24V AC/DC/11mA 1NC 1NC	4-2381880-1	
PBES16L3CR		LED 24V DC 12mA	PBES16 28 LED 24V DC 12 mA 1NC 1NC	4-2381880-2	
PBES16L10R		000 + 1NC	NO LAMP	PBES16 28 NO LAMP 000 1NC	4-2381880-6
PBES16L20R		1NC + 1NO	NO LAMP	PBES16 28 NO LAMP 1NC 1NO	4-2381880-7
PBES16L30R	1NC + 1NC	NO LAMP	PBES16 28 NO LAMP 1NC 1NC	4-2381880-8	
PBES16N Emergency Stop Series					
TE Smart Part Number	Function	Lamp Type	Product Description	TE Part Number	
PBES16N40R	000 + 1NC	NO LAMP	PBES16 23.8 RB NO LAMP 000 1NC	2381881-1	
PBES16N50R	1NC + 1NO	NO LAMP	PBES16 23.8 RB NO LAMP 1NC 1NO	2381881-2	
PBES16N60R	1NC + 1NC	NO LAMP	PBES16 23.8 RB NO LAMP 1NC 1NC	2381881-3	

X-ON Electronics

Largest Supplier of Electrical and Electronic Components

Click to view similar products for [Pushbutton Switches](#) category:

Click to view products by [TE Connectivity](#) manufacturer:

Other Similar products are found below :

[8971K1133](#) [LW1L-M1C10V-A](#) [LW2L-M1C20M-A](#) [M22-D-R-GB0/K11](#) [67081K512X](#) [701PB580](#) [7199K101](#) [810K12910](#) [810KSV30B](#)
[FLT 2U EE 01A](#) [MML21EA2ADK](#) [MML21KA3ABK](#) [MML23KA3AC05K-001](#) [MML23KW3AA01W](#) [8418K2](#) [8442K2](#) [8442K3](#) [8450K1](#)
[860K11911T01A](#) [861901](#) [861K11911T01A07](#) [861K13810T00A14](#) [861K13911](#) [8646AB6X718UL](#) [8646ABUL](#) [9001KXRK](#)
[9533CD4+U574+U4922](#) [95-414.000](#) [99-453.837](#) [PV3H2B0NN-341](#) [A22NZBGANGA](#) [A22NZBMMNGA](#) [A22NZBNANGA](#)
[A22NZMPATRA](#) [A2PMA1X03EC56](#) [A3A-7310](#) [A3A-7340](#) [A3U-TMW-A2C-5M](#) [12037A2ULCSA](#) [1203A2UL](#) [ABGW410-R](#) [ABN400-R](#)
[121382](#) [1213C3](#) [HE3B-M2](#) [121194](#) [1212MRA](#) [1232A6NF](#) [1241.1183.7047](#) [121489](#)