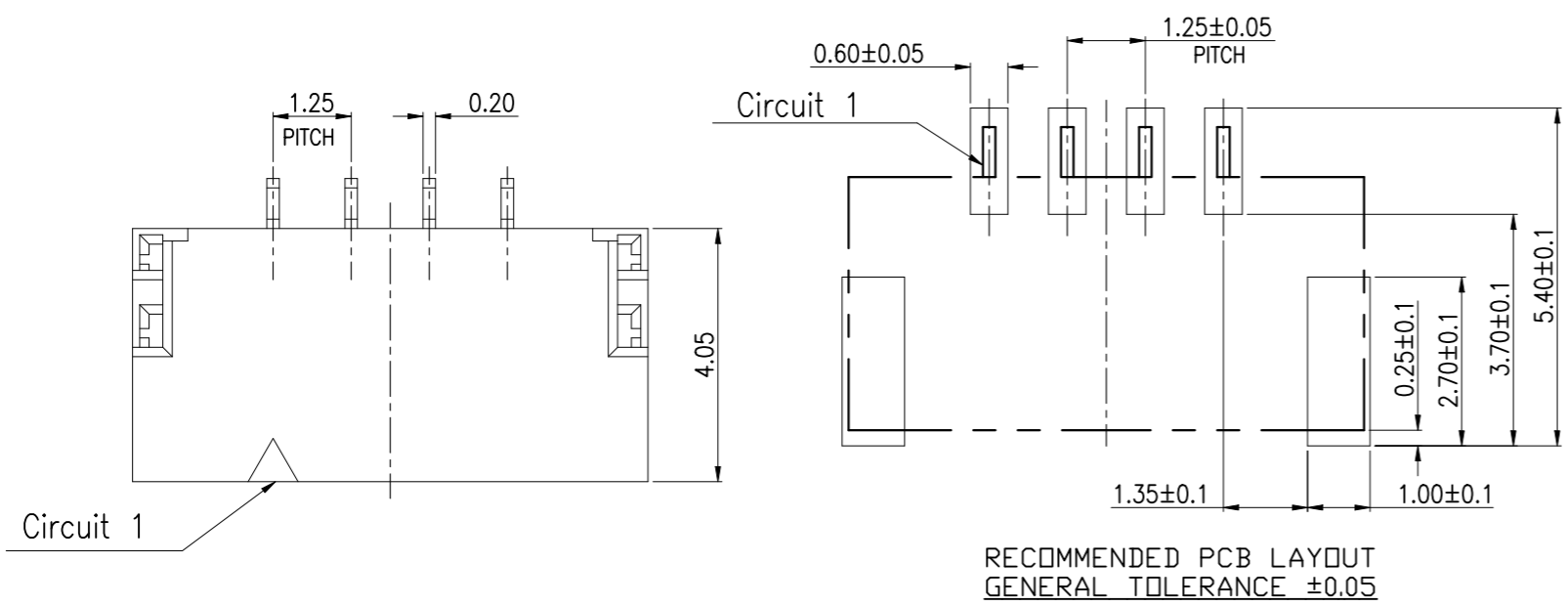
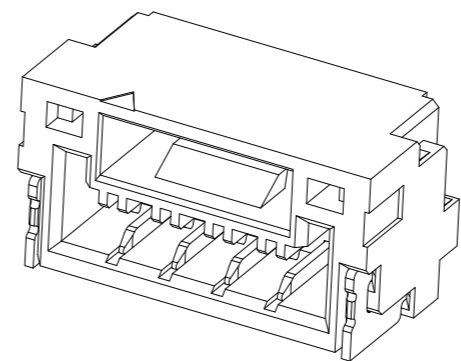
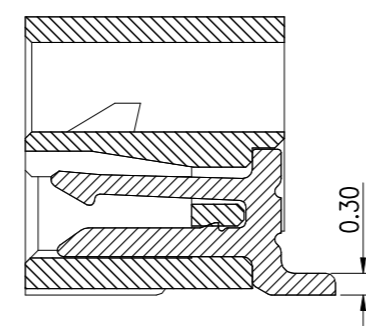
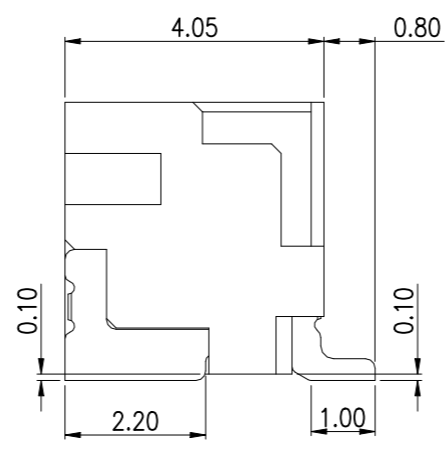
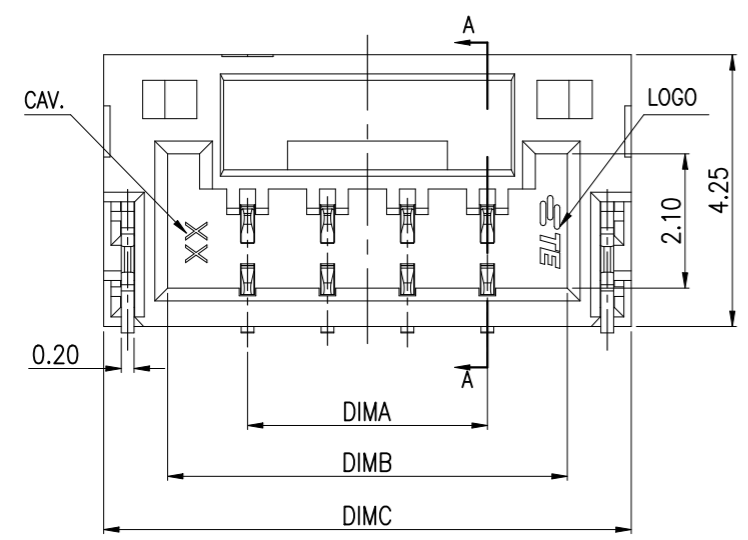


REVISIONS					
P	LTR	DESCRIPTION	DATE	DWN	APVD
	A	ECR-21-104664	12APR2021	T.Q	W.H



- NOTES:
- MATERIAL:
 - HOUSING: THERMOPLASTIC, HIGH TEMP.,UL94V-0,LCP
 - CONTACT: COPPER ALLOY.
 - FITTING NAIL: COPPER ALLOY.
 - FINISH:
 - CONTACT: 50u" MIN. NICKEL UNDERPLATING OVERALL.
TYPE A:80~150u" MATT TIN PLATING ON CONTACT AND SOLDER AREA
TYPE B:0.5u" MIN GOLD FLASH ON CONTACT AND SOLDER AREA
 - FITTING NAIL: 50u" MIN. NICKEL UNDERPLATING OVERALL.
N:80u" MIN. MATTE TIN PLATING
 - MATING PARTS: X-2390144-X.

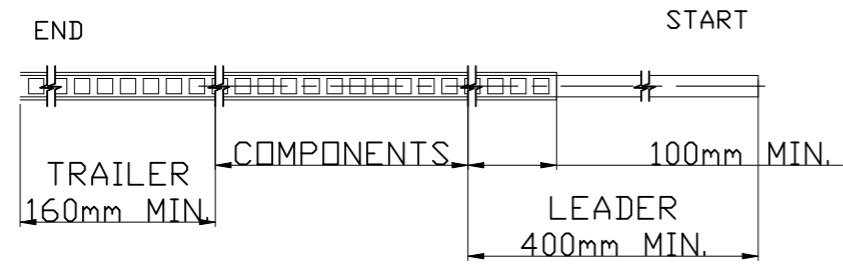


COLOR	DIM C	DIM B	DIM A	POS	GOLD FLASH	MATT TIN
BLACK	22.00	20.00	17.50	15P	7-2390136-5	5-2390136-5
	20.75	18.75	16.25	14P	7-2390136-4	5-2390136-4
	19.50	17.50	15.00	13P	7-2390136-3	5-2390136-3
	18.25	16.25	13.75	12P	7-2390136-2	5-2390136-2
	17.00	15.00	12.50	11P	7-2390136-1	5-2390136-1
	15.75	13.75	11.25	10P	7-2390136-0	5-2390136-0
	14.50	12.50	10.00	9P	6-2390136-9	4-2390136-9
	13.25	11.25	8.75	8P	6-2390136-8	4-2390136-8
	12.00	10.00	7.50	7P	6-2390136-7	4-2390136-7
	10.75	8.75	6.25	6P	6-2390136-6	4-2390136-6
	9.50	7.50	5.00	5P	6-2390136-5	4-2390136-5
	8.25	6.25	3.75	4P	6-2390136-4	4-2390136-4
	7.00	5.00	2.50	3P	6-2390136-3	4-2390136-3
	5.75	3.75	1.25	2P	6-2390136-2	4-2390136-2
	NATURAL	22.00	20.00	17.50	15P	3-2390136-5
20.75		18.75	16.25	14P	3-2390136-4	1-2390136-4
19.50		17.50	15.00	13P	3-2390136-3	1-2390136-3
18.25		16.25	13.75	12P	3-2390136-2	1-2390136-2
17.00		15.00	12.50	11P	3-2390136-1	1-2390136-1
15.75		13.75	11.25	10P	3-2390136-0	1-2390136-0
14.50		12.50	10.00	9P	2-2390136-9	2390136-9
13.25		11.25	8.75	8P	2-2390136-8	2390136-8
12.00		10.00	7.50	7P	2-2390136-7	2390136-7
10.75		8.75	6.25	6P	2-2390136-6	2390136-6
9.50		7.50	5.00	5P	2-2390136-5	2390136-5
8.25		6.25	3.75	4P	2-2390136-4	2390136-4
7.00		5.00	2.50	3P	2-2390136-3	2390136-3
5.75		3.75	1.25	2P	2-2390136-2	2390136-2

THIS DRAWING IS A CONTROLLED DOCUMENT.		DWN Tommy Qian 12APR2021	TE Connectivity 1.25mm PITCH WTB Conn. SMT R/A				
DIMENSIONS: mm		CHK Niki Shi 12APR2021				NAME	RESTRICTED TO
TOLERANCES UNLESS OTHERWISE SPECIFIED:		APVD Niki Shi 12APR2021				PRODUCT SPEC	SCALE
MATERIAL NOTE 1		FINISH NOTE 2				APPLICATION SPEC	SHEET
0 PLC ± 0.5 1 PLC ± 0.25 2 PLC ± 0.15 3 PLC ± 0.1 4 PLC ± - ANGLES ± 2°		108-115184	SIZE	CAGE CODE	DRAWING NO	REV	
NOTE 1		NOTE 2	WEIGHT N/A	A3	00779	C-2390136	1 of 4
			CUSTOMER DRAWING		SCALE N/A	SHEET 1 of 4	REV A

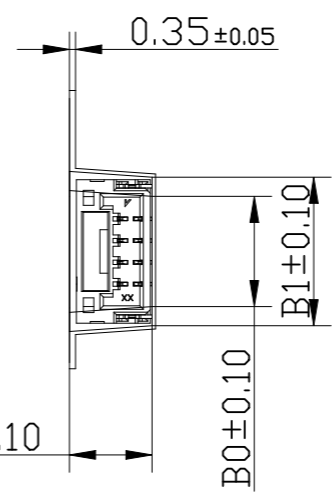
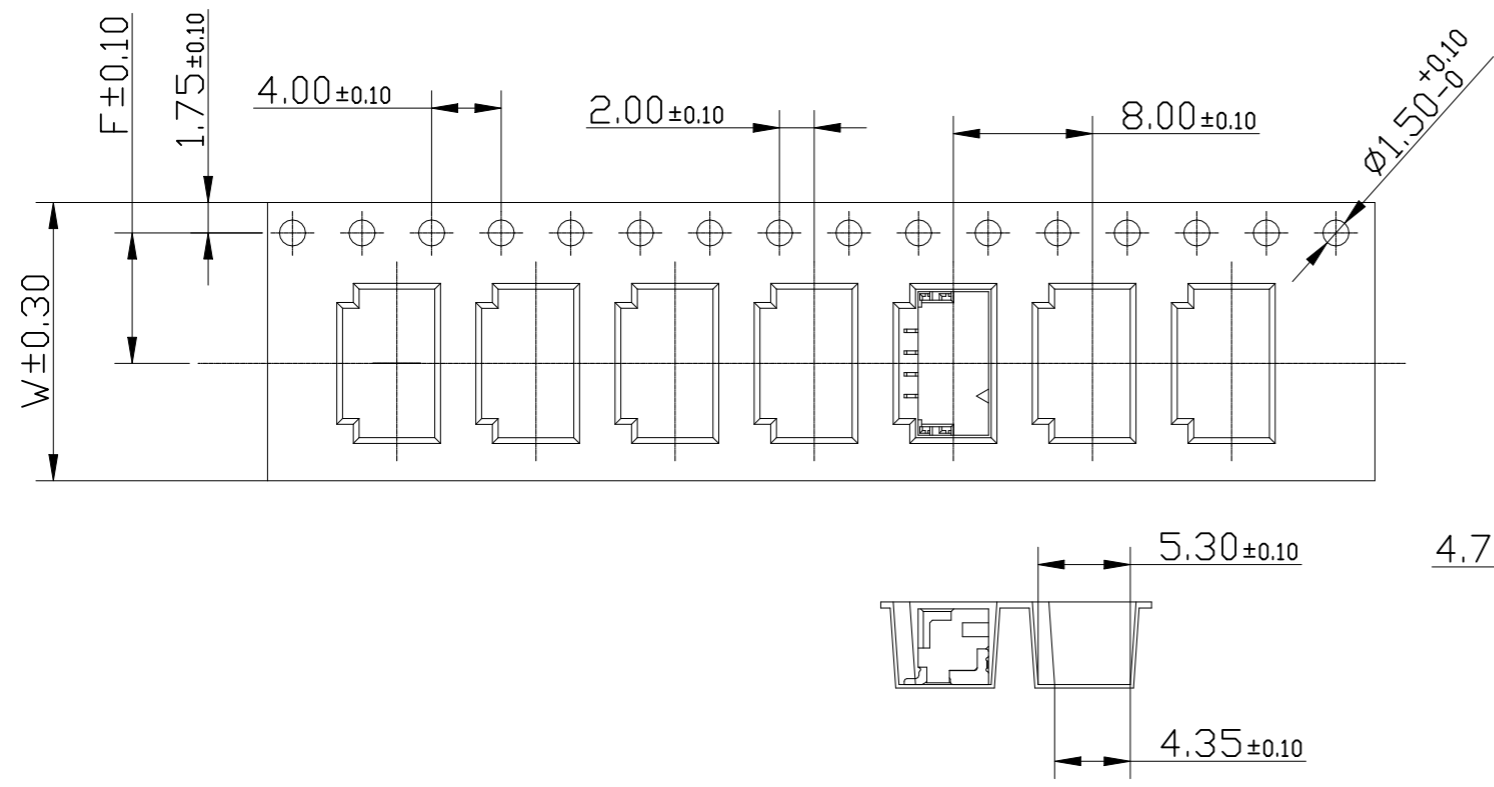
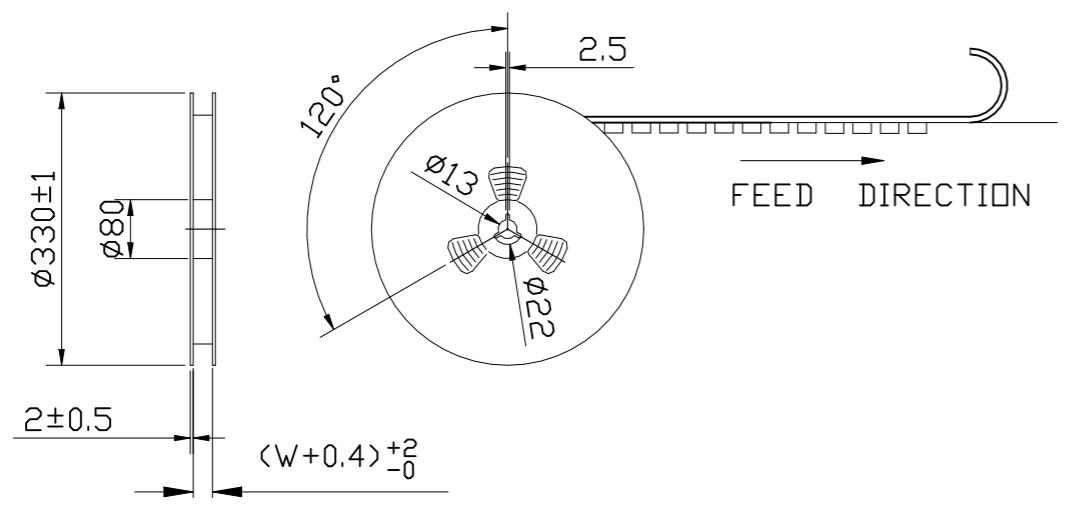
REVISIONS

P	LTR	DESCRIPTION	DATE	DWN	APVD
-	-	SEE SHEET 1	-	-	-



NOTES:

- 10 SPROCKET HOLE PITCH CUMULATIVE TOLERANCE.±0.20mm
- CARRIER CAMBER NOT TO EXCEED 1mm IN 100mm.
- ALL DIMENSIONS MEET EIA-481-B REQUIREMENTS.
- MATERIAL: WHITE ANTI-STATIC POLYSTYRENE.
- THICKNESS: 0.35 ± 0.05 mm.
- PACKING LENGTH PER 13" REEL : 13.0 METERS.
- COMPONENT LOAD PER 13" REEL : 1500 PCS.



17.29	15.09	11.50	24.00	11P	7-2390136-1	5-2390136-1		
16.04	13.84			10P	7-2390136-0	5-2390136-0		
14.79	12.59	7.50	16.00	9P	6-2390136-9	4-2390136-9		
13.54	11.34			8P	6-2390136-8	4-2390136-8		
12.29	10.09			7P	6-2390136-7	4-2390136-7		
11.04	8.84			6P	6-2390136-6	4-2390136-6		
9.79	7.59	11.50	24.00	5P	6-2390136-5	4-2390136-5		
8.54	6.34			4P	6-2390136-4	4-2390136-4		
7.29	5.09			3P	6-2390136-3	4-2390136-3		
6.04	3.84			2P	6-2390136-2	4-2390136-2		
17.29	15.09			7.50	16.00	11P	3-2390136-1	1-2390136-1
16.04	13.84					10P	3-2390136-0	1-2390136-0
14.79	12.59	11.50	24.00	9P	2-2390136-9	2390136-9		
13.54	11.34			8P	2-2390136-8	2390136-8		
12.29	10.09			7P	2-2390136-7	2390136-7		
11.04	8.84			6P	2-2390136-6	2390136-6		
9.79	7.59	7.50	16.00	5P	2-2390136-5	2390136-5		
8.54	6.34			4P	2-2390136-4	2390136-4		
7.29	5.09			3P	2-2390136-3	2390136-3		
6.04	3.84			2P	2-2390136-2	2390136-2		
DIM B1	DIM B0	DIM F	DIM W	POS	GOLD FLASH MATT TIN PLATING SPEC PART NUMBER			

THIS DRAWING IS A CONTROLLED DOCUMENT.

DIMENSIONS:	TOLERANCES UNLESS OTHERWISE SPECIFIED:
mm	
	0 PLC ± 0.5
	1 PLC ± 0.25
	2 PLC ± 0.15
	3 PLC ± 0.1
	4 PLC ± -
	ANGLES ± 2°

MATERIAL NOTE 1

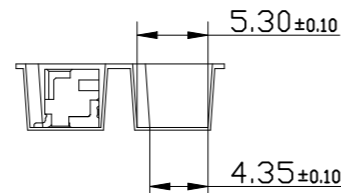
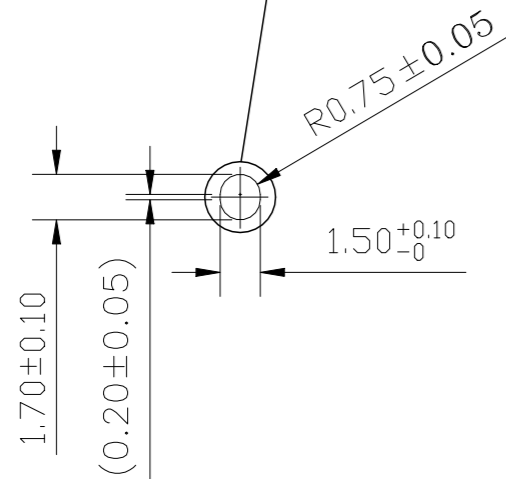
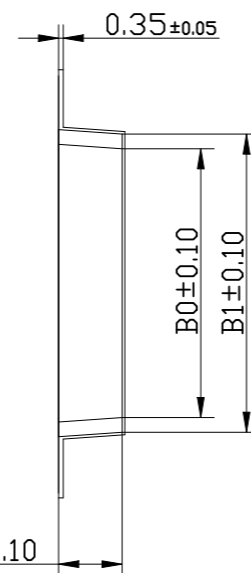
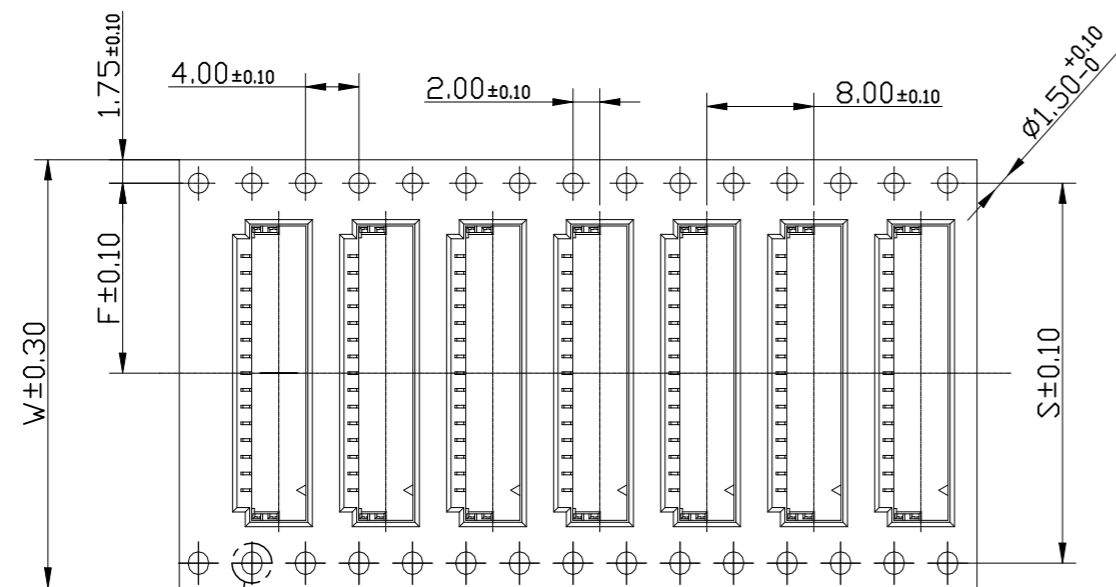
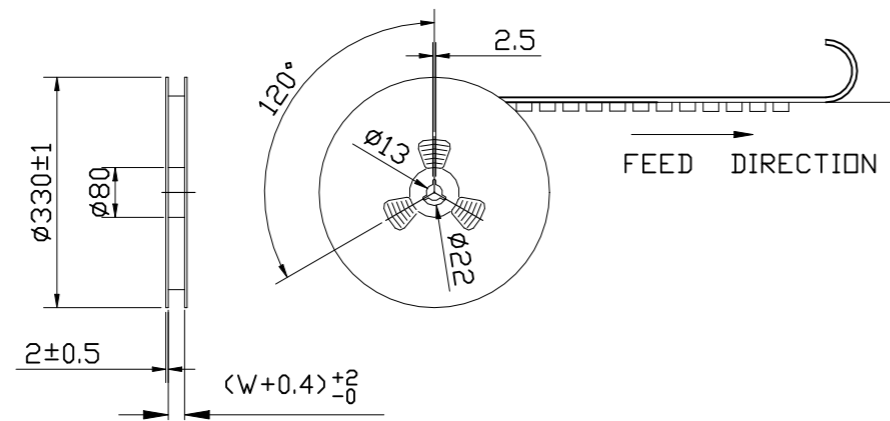
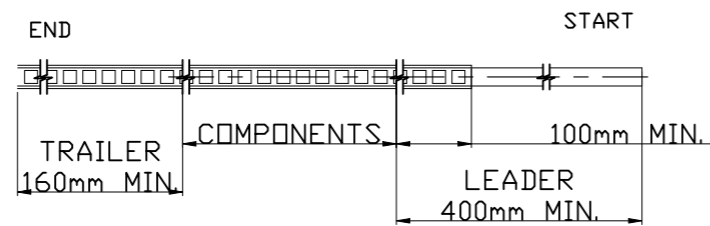
DWN	CHK	APVD
Tommy Qian	Niki Shi	Niki Shi
12APR2021	12APR2021	12APR2021

FINISH NOTE 2

PRODUCT SPEC	NAME
APPLICATION SPEC	1.25mm PITCH WTB Conn. SMT R/A
WEIGHT	SIZE CAGE CODE DRAWING NO RESTRICTED TO
-	A3 00779 C-2390136



P	LTR	DESCRIPTION	DATE	DWN	APVD
-	-	SEE SHEET 1	-	-	-



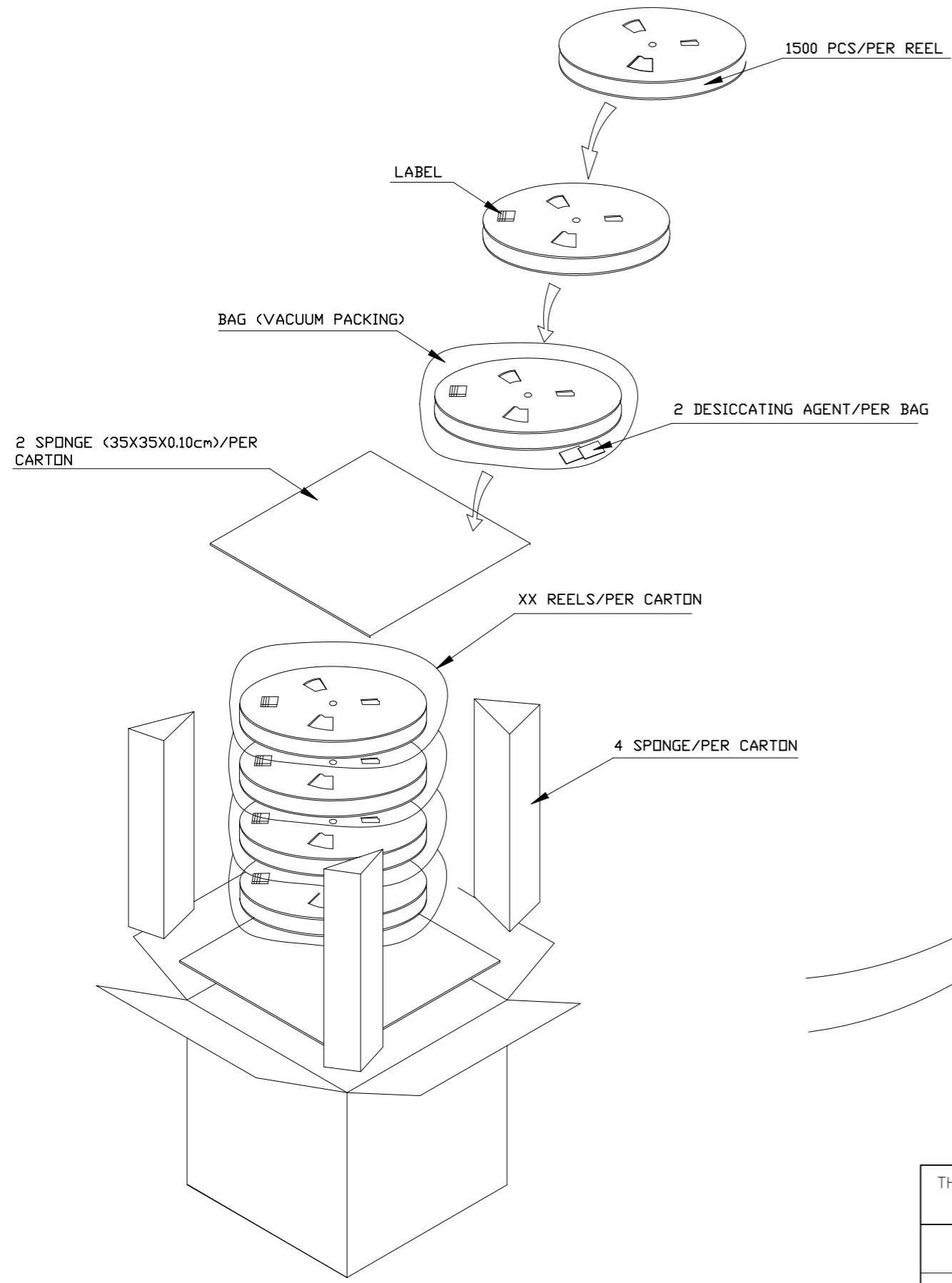
NOTES:

- 10 SPROCKET HOLE PITCH CUMULATIVE TOLERANCE: ±0.20mm
- CARRIER CAMBER NOT TO EXCEED 1mm IN 100mm.
- ALL DIMENSIONS MEET EIA-481-B REQUIREMENTS.
- MATERIAL: WHITE ANTI-STATIC POLYSTYRENE.
- THICKNESS: 0.35 ± 0.05 mm.
- PACKING LENGTH PER 13" REEL : 13.0 METERS.
- COMPONENT LOAD PER 13" REEL : 1500 PCS.

22.29	20.09				15P	7-2390136-5	5-2390136-5
21.04	18.84	28.40	14.20	32.00	14P	7-2390136-4	5-2390136-4
19.79	17.59				13P	7-2390136-3	5-2390136-3
18.54	16.34				12P	7-2390136-2	5-2390136-2
22.29	20.09				15P	3-2390136-5	1-2390136-5
21.04	18.84	28.40	14.20	32.00	14P	3-2390136-4	1-2390136-4
19.79	17.59				13P	3-2390136-3	1-2390136-3
18.54	16.34				12P	3-2390136-2	1-2390136-2
DIM B1	DIM B0	DIM S	DIM F	DIM W	POS	GOLD FLASH MATT TIN	
						PLATING SPEC	
						PART NUMBER	

THIS DRAWING IS A CONTROLLED DOCUMENT.		DWN Tommy Qian 12APR2021	TE Connectivity			
		CHK Niki Shi 12APR2021				
		APVD Niki Shi 12APR2021	NAME			
		PRODUCT SPEC	1.25mm PITCH WTB Conn. SMT R/A			
		APPLICATION SPEC	-			
		WEIGHT	SIZE A3	CAGE CODE 00779	DRAWING NO C-2390136	RESTRICTED TO
MATERIAL NOTE 1		FINISH NOTE 2	CUSTOMER DRAWING		SCALE N/A	SHEET 3 OF 4
					REV A	

REVISIONS					
P	LTR	DESCRIPTION	DATE	DWN	APVD
	-	SEE SHEET 1	-	-	-



- NOTE:
1. STAPLES SHOULD ONLY BE USED TO SET UP CARTON
ALL CARTONS CLOSURES MUST BE DONE WITH TAPE.
 2. FILL PACKAGING REEL WITH THE QUANTITIES AS INDICATED

7500(PCS)	1500(PCS)	5	15P	7-2390136-5	5-2390136-5
7500(PCS)	1500(PCS)	5	14P	7-2390136-4	5-2390136-4
7500(PCS)	1500(PCS)	5	13P	7-2390136-3	5-2390136-3
7500(PCS)	1500(PCS)	5	12P	7-2390136-2	5-2390136-2
7500(PCS)	1500(PCS)	5	11P	7-2390136-1	5-2390136-1
7500(PCS)	1500(PCS)	5	10P	7-2390136-0	5-2390136-0
7500(PCS)	1500(PCS)	5	9P	6-2390136-9	4-2390136-9
7500(PCS)	1500(PCS)	5	8P	6-2390136-8	4-2390136-8
7500(PCS)	1500(PCS)	5	7P	6-2390136-7	4-2390136-7
7500(PCS)	1500(PCS)	5	6P	6-2390136-6	4-2390136-6
15000(PCS)	1500(PCS)	10	5P	6-2390136-5	4-2390136-5
15000(PCS)	1500(PCS)	10	4P	6-2390136-4	4-2390136-4
15000(PCS)	1500(PCS)	10	3P	6-2390136-3	4-2390136-3
15000(PCS)	1500(PCS)	10	2P	6-2390136-2	4-2390136-2
7500(PCS)	1500(PCS)	5	15P	3-2390136-5	1-2390136-5
7500(PCS)	1500(PCS)	5	14P	3-2390136-4	1-2390136-4
7500(PCS)	1500(PCS)	5	13P	3-2390136-3	1-2390136-3
7500(PCS)	1500(PCS)	5	12P	3-2390136-2	1-2390136-2
7500(PCS)	1500(PCS)	5	11P	3-2390136-1	1-2390136-1
7500(PCS)	1500(PCS)	5	10P	3-2390136-0	1-2390136-0
7500(PCS)	1500(PCS)	5	9P	2-2390136-9	2390136-9
7500(PCS)	1500(PCS)	5	8P	2-2390136-8	2390136-8
7500(PCS)	1500(PCS)	5	7P	2-2390136-7	2390136-7
7500(PCS)	1500(PCS)	5	6P	2-2390136-6	2390136-6
15000(PCS)	1500(PCS)	10	5P	2-2390136-5	2390136-5
15000(PCS)	1500(PCS)	10	4P	2-2390136-4	2390136-4
15000(PCS)	1500(PCS)	10	3P	2-2390136-3	2390136-3
15000(PCS)	1500(PCS)	10	2P	2-2390136-2	2390136-2
PARTS PER CARTON	PARTS PER REEL	REELS PER CARTON	POS	GOLD FLASH	MATT TIN
				PLATING SPEC	PART NUMBER

THIS DRAWING IS A CONTROLLED DOCUMENT.		DWN Tommy Qian 12APR2021	TE Connectivity														
		CHK Niki Shi 12APR2021															
DIMENSIONS: mm		APVD Niki Shi 12APR2021	NAME														
TOLERANCES UNLESS OTHERWISE SPECIFIED:		PRODUCT SPEC	1.25mm PITCH WTB Conn. SMT R/A														
<table border="0"> <tr><td>0 PLC</td><td>± 0.5</td></tr> <tr><td>1 PLC</td><td>± 0.25</td></tr> <tr><td>2 PLC</td><td>± 0.15</td></tr> <tr><td>3 PLC</td><td>± 0.1</td></tr> <tr><td>4 PLC</td><td>± -</td></tr> <tr><td>ANGLES</td><td>± 2'</td></tr> </table>		0 PLC	± 0.5	1 PLC	± 0.25	2 PLC	± 0.15	3 PLC	± 0.1	4 PLC	± -	ANGLES	± 2'	APPLICATION SPEC	-		
0 PLC	± 0.5																
1 PLC	± 0.25																
2 PLC	± 0.15																
3 PLC	± 0.1																
4 PLC	± -																
ANGLES	± 2'																
MATERIAL NOTE 1	FINISH NOTE 2	WEIGHT -	SIZE A3	CAGE CODE 00779	DRAWING NO C-2390136												
		CUSTOMER DRAWING	RESTRICTED TO	SCALE N/A	SHEET 4 OF 4												
				REV A													

X-ON Electronics

Largest Supplier of Electrical and Electronic Components

Click to view similar products for [Headers & Wire Housings](#) category:

Click to view products by [TE Connectivity](#) manufacturer:

Other Similar products are found below :

[892-18-020-10-001101](#) [58102-G61-06LF](#) [582553-1](#) [0009485154](#) [009176003701906](#) [0050291907](#) [LY20-4P-DT1-P1E-BR](#) [02.125.8002.8](#)
[609-3404](#) [61062-3](#) [61082-181009](#) [622-3653LF](#) [63453-116](#) [636-1030](#) [636-1427](#) [636-3427](#) [636-4007](#) [641938-9](#) [641991-4](#) [644827-2](#) [65817-](#)
[010LF](#) [65817-015LF](#) [65863-015LF](#) [66207-023LF](#) [67095-007LF](#) [67601157](#) [68645-018](#) [68648-049](#) [70.362.1628.0](#) [70-4210](#) [70-4226B](#) [70-](#)
[4853B](#) [707-5020](#) [707-5028](#) [71.350.2428.0](#) [71918-208LF](#) [71961-016LF](#) [733-134](#) [733-162](#) [754199-000](#) [760-3052](#) [787-8014-00](#) [79531-3000](#)
[FCN-360C032-B](#) [FCN-367T-T012/H](#) [FCN-723D010/2](#) [80.063.4001.1](#) [800-90-001-10-001000](#) [800-90-010-10-002000](#) [801-43-002-10-013000](#)