

THIS DRAWING IS UNPUBLISHED. RELEASED FOR PUBLICATION
 © COPYRIGHT - By - ALL RIGHTS RESERVED.

LOC	DIST	REVISIONS			
P	LTR	DESCRIPTION	DATE	DWN	APVD
G	14				
P	P	REVISED PER ECO-14-015277	10FEB2015	NK	DR

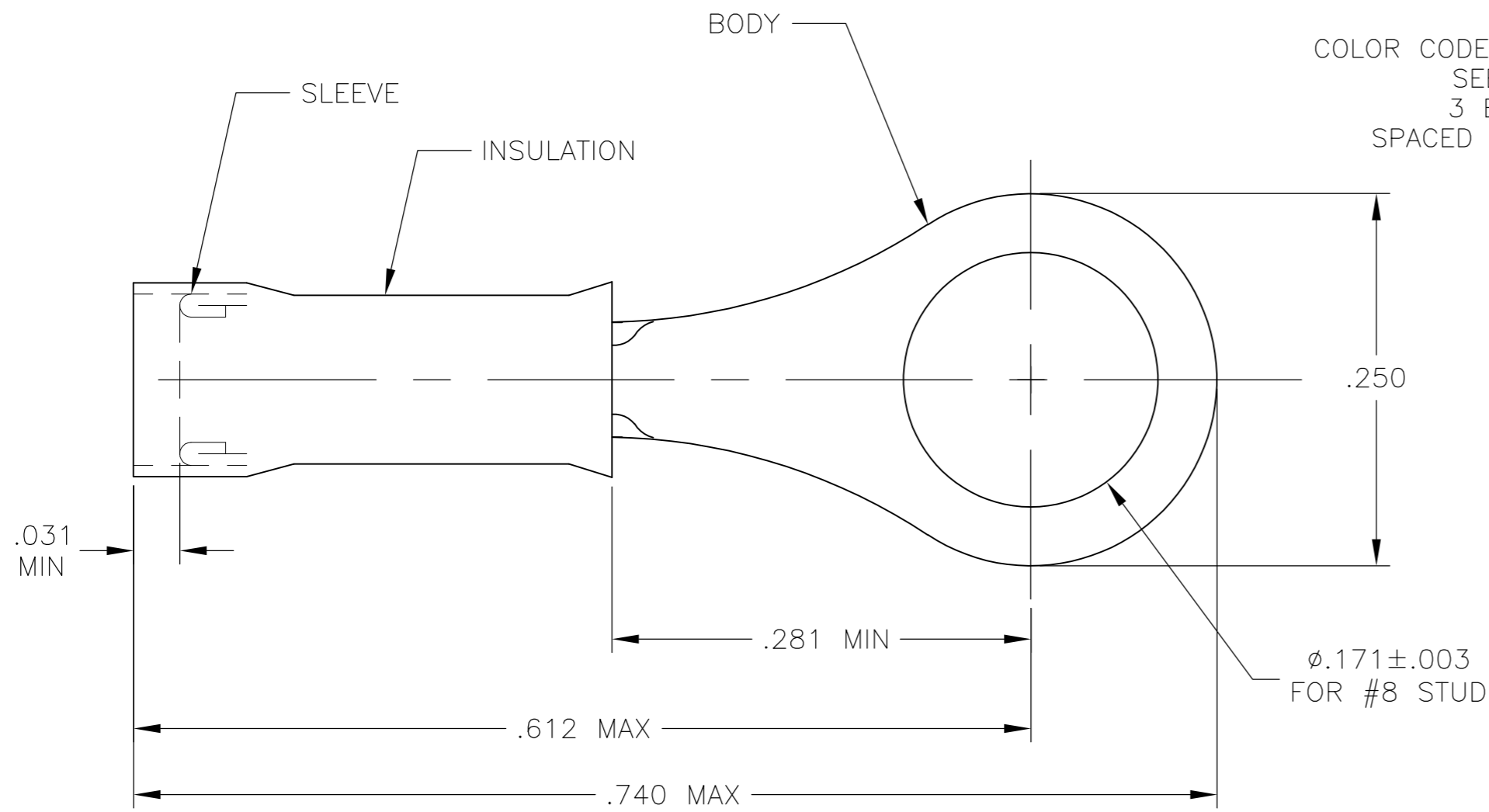


FIGURE 1

FOR .050 TO .082 WIRE INSULATION DIA

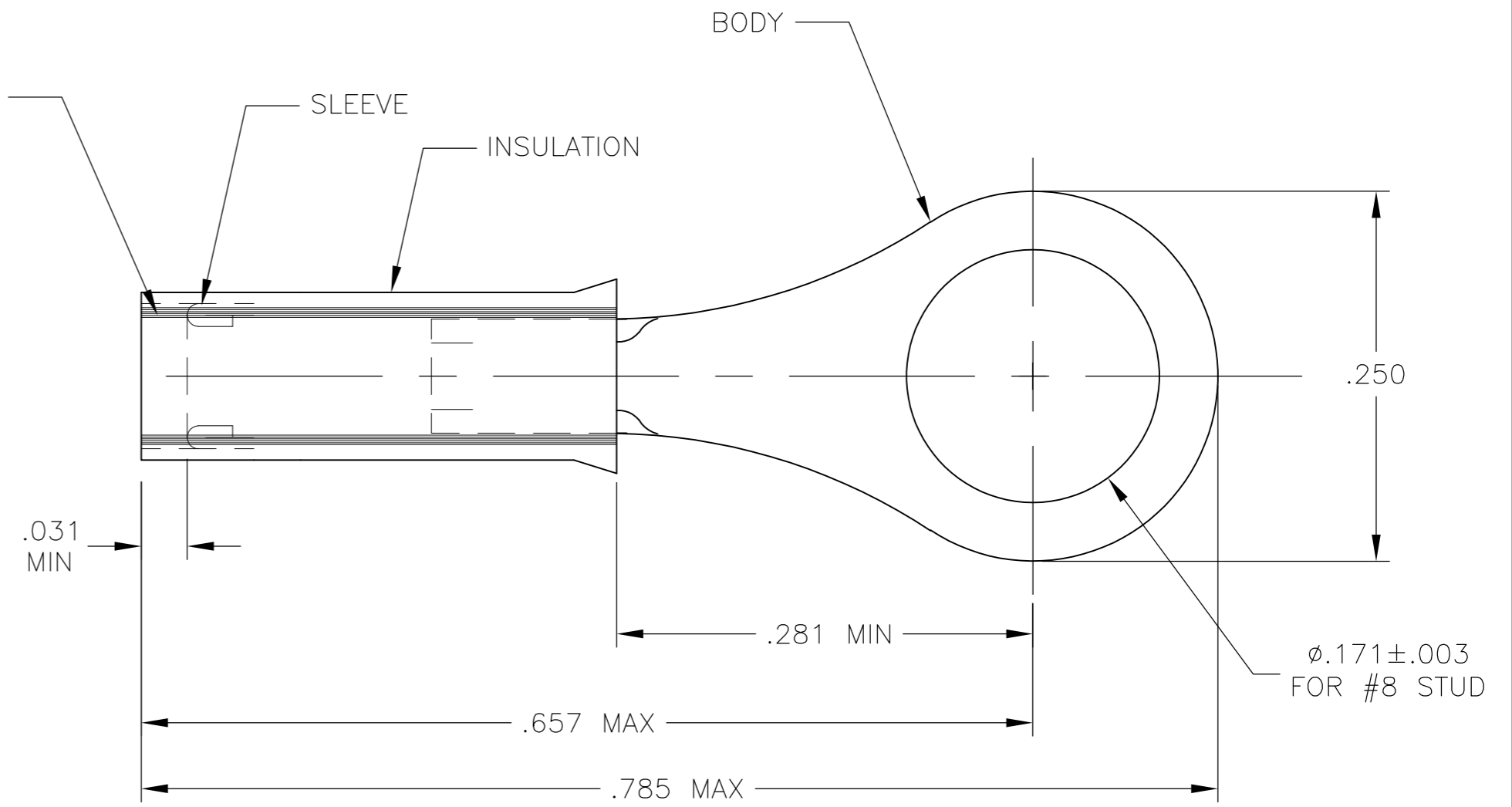


FIGURE 2
INSULATION RESTRICTING

FOR X/Y WIRE INSULATION DIA

1 TONGUE MATERIAL THK IS .018±.002.

2 MEETS MS25036-146, CLASS 2.

QTY	DESCRIPTION	MATERIAL & FINISH	PART NO
1	WIRE TERMINAL INSULATION RESTRICTING	BODY: COPPER (ASTM-B152) TIN PL (ASTM-B545) SLEEVE: COPPER (ASTM-B152) NICKEL PL. (QQ-N-290) INSULATION: NYLON COLOR: YELLOW (ASTM-D4066) TYPE 1	2-323916-3
100	LOOSE PC, BOX		8-323916-1
4000	323916 ON TAPE	BODY & SLEEVE: COPPER (ASTM-B152) TIN PL (ASTM-B545) INSULATION: NYLON COLOR: YELLOW (ASTM-D4066) TYPE 1	2-323916-1
1	WIRE TERMINAL		323916

PART NO.	STYLE	WIRE SIZE	STRIPE COLOR	"X/Y"	PART NO. ON TAPE
8-323916-1	FIGURE 1	#26-#22	NONE	-	-
2-323916-3	FIGURE 2	#24	BLUE	.031/.055	-
323916	FIGURE 1	#26-#22	NONE	-	2-323916-1

THIS DRAWING IS A CONTROLLED DOCUMENT.

DWN	JR RUTH	02OCT09
CHK	TOM MICHIELUTTI	02OCT09
APVD	MIKE PERCHERKE	02OCT09

TE Connectivity

TERMINAL, NYLON - PIDG - RING TONGUE
WIRE SIZE: 26-22

SIZE	A2	CAGE CODE	00779	DRAWING NO	323916	RESTRICTED TO	-
SCALE	10:1	SHEET	1 of 1	REV	P		

CUSTOMER DRAWING

X-ON Electronics

Largest Supplier of Electrical and Electronic Components

Click to view similar products for [Terminals](#) category:

Click to view products by [TE Connectivity](#) manufacturer:

Other Similar products are found below :

[00-054007-01074-6](#) [00-054007-70206-1](#) [00-054007-70210-8](#) [00-054007-70217-7](#) [00-054007-70226-9](#) [00-054007-70228-3](#) [00-054007-70248-1](#) [00-054007-70256-6](#) [00-054007-70301-3](#) [00-054007-70316-7](#) [00-054007-49560-4](#) [00-054007-70209-2](#) [00-054007-70225-2](#) [00-054007-70227-6](#) [00-054007-70231-3](#) [00-054007-70241-2](#) [00-054007-70242-9](#) [00-054007-70244-3](#) [00-054007-70246-7](#) [00-054007-70263-4](#) [00-054007-70288-7](#) [00-054007-70290-0](#) [00-054007-70300-6](#) [00-054007-70304-4](#) [01-2065-1-0216](#) [01-2900-1-04412](#) [00581P0075](#) [600TS-10](#) [60205-1](#) [604200-1](#) [605601-1](#) [60598-1-CUT-TAPE](#) [61314-6-C](#) [61810-3](#) [61-S](#) [61-SN](#) [626-0194](#) [62-NBM-A](#) [62-SN](#) [62-SP](#) [63-S](#) [640179-1](#) [M55155/059I03](#) [M55155/079C01](#) [M55155/099H02](#) [M55155/109H01](#) [M55155/109H02](#) [M55155/12XH05](#) [M55155/16XH02](#) [M55155/29-5S](#)