

THIS DRAWING IS UNPUBLISHED.

RELEASED FOR PUBLICATION

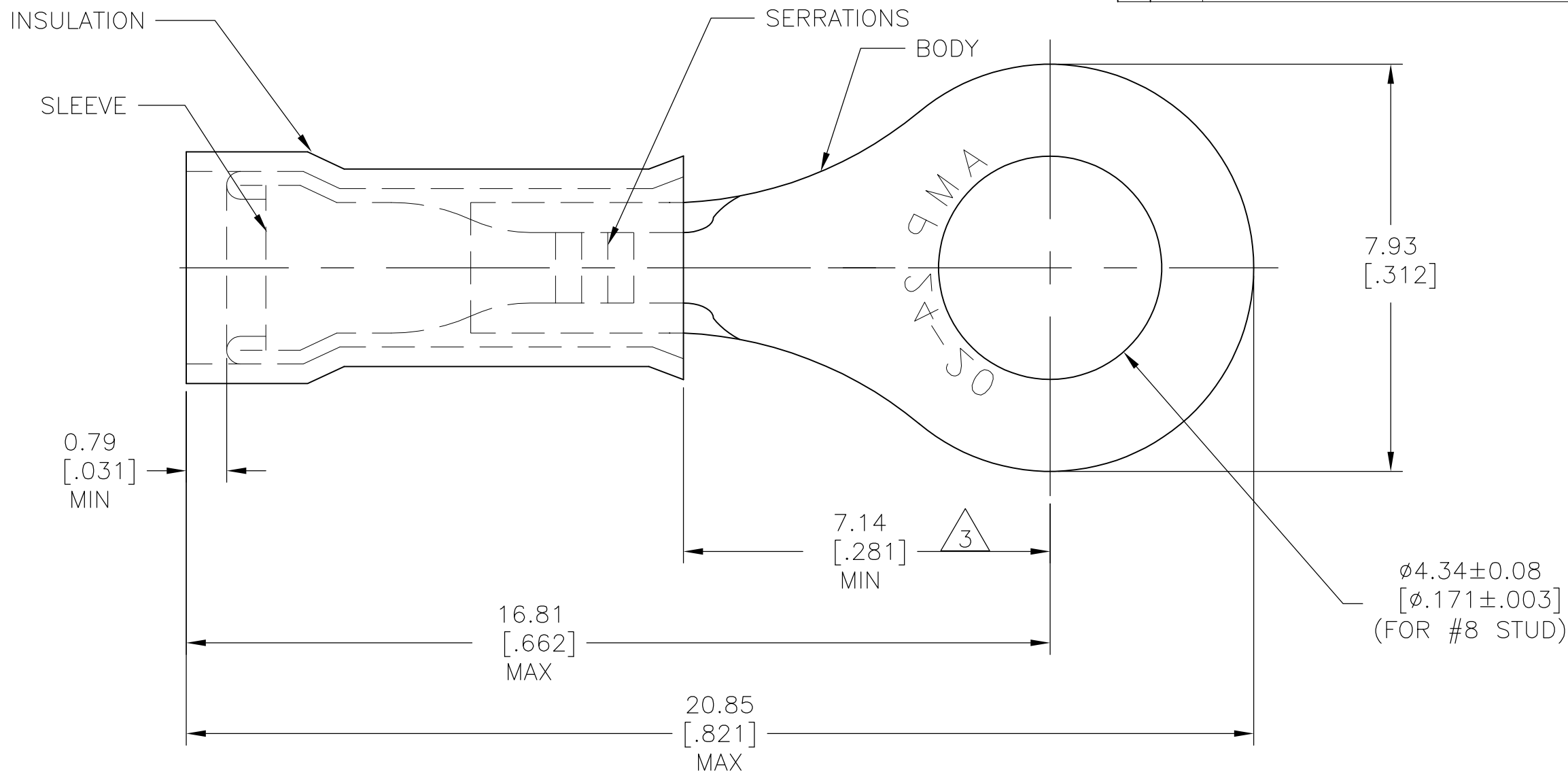
ALL RIGHTS RESERVED.

© COPYRIGHT - By -

LOC G DIST 14

REVISIONS

P	LTR	DESCRIPTION	DATE	DWN	APVD
	D2	REVISED PER ECO-11-004917	11MAR11	RK	HMR



1 FOR 1.02[.040] TO 2.54[.100] WIRE INSULATION DIA

2 TONGUE MATERIAL THK 0.58±0.05[.023±.002]

3 APPLIES FROM EDGE OF METAL BARREL TO CENTERLINE OF STUD HOLE.

QTY	DESCRIPTION	MATERIAL & FINISH	PART NO
1	323989 ON TAPE	BODY&SLEEVE: COPPER ASTM-B152 TIN PL ASTM-B545	1-323989-0
1	WIRE TERMINAL	INSULATION: NATURAL NYLON ASTM-D4066 TYPE I	323989

THIS DRAWING IS A CONTROLLED DOCUMENT.		DWN RAGHAVENDRA 19MAR10	STE TE Connectivity	
DIMENSIONS: mm [INCHES]		CHK JEFF RUTH 19MAR10		
TOLERANCES UNLESS OTHERWISE SPECIFIED:		APVD TOM MICHIELUTTI 19MAR10	NAME	
0 PLC ± -		PRODUCT SPEC	TERMINAL, NYLON - PIDG - RING TONGUE	
1 PLC ± -		APPLICATION SPEC	WIRE SIZE: 24-20	
2 PLC ± -		WEIGHT -	SIZE A3	CAGE CODE 00779
3 PLC ± 0.20 [.008]			DRAWING NO C-323989	RESTRICTED TO -
4 PLC ± -			SCALE 10:1	SHEET 1 OF 1
ANGLES ± 0° 30'			REV D2	
MATERIAL SEE TABLE	FINISH SEE TABLE	CUSTOMER DRAWING		

X-ON Electronics

Largest Supplier of Electrical and Electronic Components

Click to view similar products for [Terminals](#) category:

Click to view products by [TE Connectivity](#) manufacturer:

Other Similar products are found below :

[00-054007-01074-6](#) [00-054007-70206-1](#) [00-054007-70210-8](#) [00-054007-70217-7](#) [00-054007-70226-9](#) [00-054007-70228-3](#) [00-054007-70248-1](#) [00-054007-70256-6](#) [00-054007-70301-3](#) [00-054007-70316-7](#) [00-054007-49560-4](#) [00-054007-70209-2](#) [00-054007-70225-2](#) [00-054007-70227-6](#) [00-054007-70231-3](#) [00-054007-70241-2](#) [00-054007-70242-9](#) [00-054007-70244-3](#) [00-054007-70246-7](#) [00-054007-70263-4](#) [00-054007-70288-7](#) [00-054007-70290-0](#) [00-054007-70300-6](#) [00-054007-70304-4](#) [01-2065-1-0216](#) [01-2900-1-04412](#) [00581P0075](#) [600TS-10](#) [60205-1](#) [604200-1](#) [605601-1](#) [60598-1-CUT-TAPE](#) [61314-6-C](#) [61810-3](#) [61-S](#) [61-SN](#) [626-0194](#) [62-NBM-A](#) [62-SN](#) [62-SP](#) [63-S](#) [640179-1](#) [M55155/059I03](#) [M55155/079C01](#) [M55155/099H02](#) [M55155/109H01](#) [M55155/109H02](#) [M55155/12XH05](#) [M55155/16XH02](#) [M55155/29-5S](#)