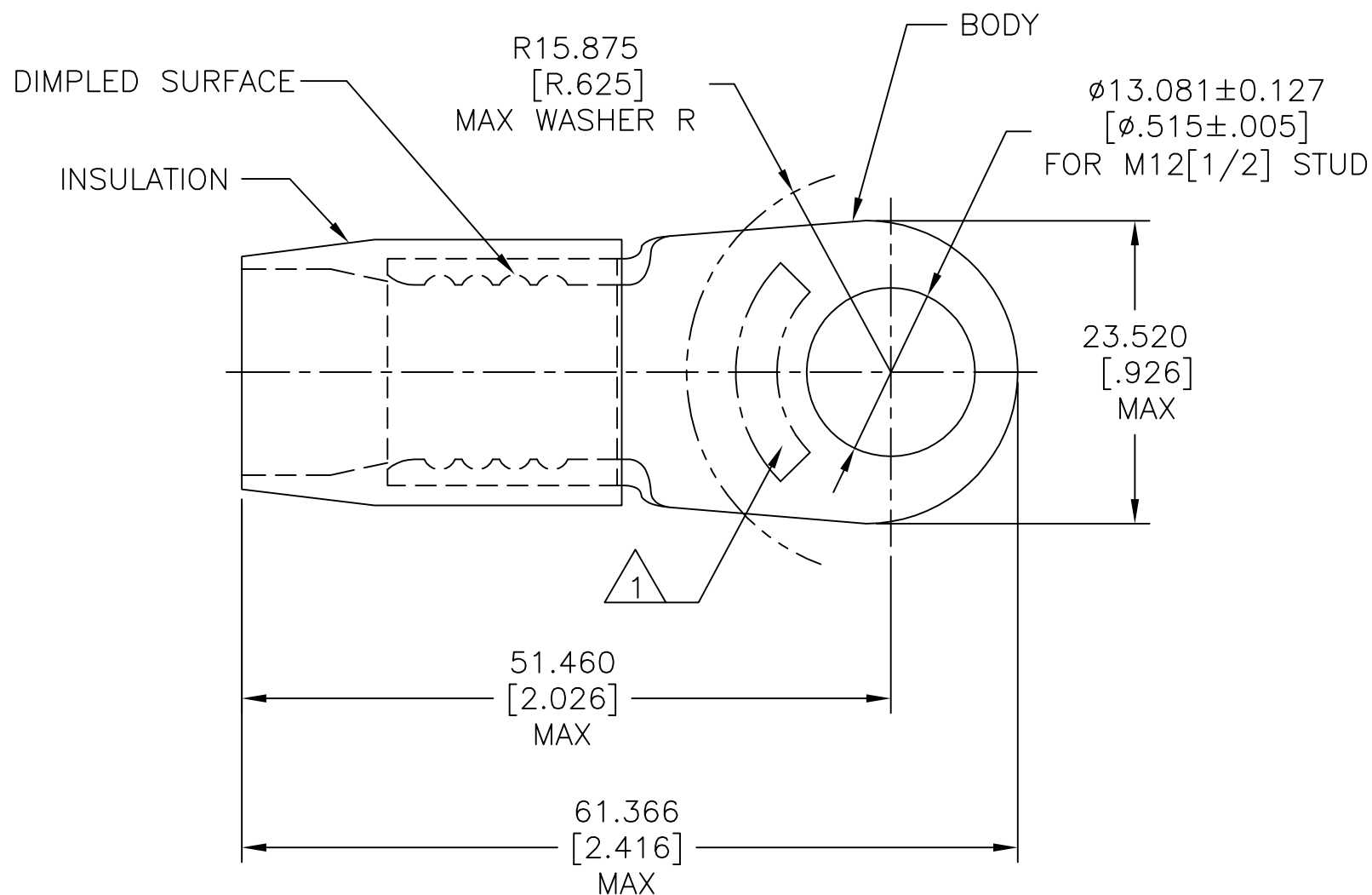


P	LTR	DESCRIPTION	DATE	DWN	APVD
	F1	REV PER ECR 09-016980	03AUG09	JR	TM
	F2	REVISED PER ECO-17-014333	11OCT2017	RS	DR

<b>AMP</b> WIRE RANGE
2/0 AWG STRANDED



- 1 STAMP AMP 2/0 W\*, LOCATE APPROX AS SHOWN.
- 2 BODY MATERIAL THK 2.032±0.051 [.080±.002]
- 3 WIRE INSULATION Ø15.494 [Ø.610] MAX.
- 4 BODY: COPPER PER ASTM B-152  
INSULATION: NYLON ASTM D4066 TYPE I.
- 5 BODY: TIN PLATED PER ASTM B-545  
INSULATION: COLOR-YELLOW.

MS25036-137 CLASS 2	50	LOOSE PC	324085
MILITARY P/N AND CLASS	QTY	PACKAGE TYPE	PART NO

MAX RECOMMENDED OPERATING TEMPERATURE: 105°C[221°F]	THIS DRAWING IS A CONTROLLED DOCUMENT.	DWN S.S. GOULDEN 9-28-93	TE Connectivity			
VOLTAGE RATING: -		CHK R. HERSEY 9-28-93				
CIRCULAR MIL AREA: 60.6-76.3mm <sup>2</sup> [119,500-150,500] STRANDED		DIMENSIONS: mm [INCHES] 	TOLERANCES UNLESS OTHERWISE SPECIFIED: 0 PLC ± - 1 PLC ± - 2 PLC ± - 3 PLC ± 0.127[.005] 4 PLC ± - ANGLES ± - MATERIAL	APVD M ELLIS 9-28-93 PRODUCT SPEC SAE AS7928 APPLICATION SPEC - WEIGHT -	NAME TERMINAL, RING TONGUE, PLASTI-GRIP, WIRE SIZE: 2/0 AWG	
	FINISH	SIZE A3	CAGE CODE 00779	DRAWING NO C-324085	RESTRICTED TO -	
		CUSTOMER DRAWING		SCALE NTS	SHEET 1 OF 1	REV F2

## X-ON Electronics

Largest Supplier of Electrical and Electronic Components

*Click to view similar products for [Terminals](#) category:*

*Click to view products by [TE Connectivity](#) manufacturer:*

Other Similar products are found below :

[00-054007-01074-6](#) [00-054007-70206-1](#) [00-054007-70210-8](#) [00-054007-70217-7](#) [00-054007-70226-9](#) [00-054007-70228-3](#) [00-054007-70248-1](#) [00-054007-70256-6](#) [00-054007-70301-3](#) [00-054007-70316-7](#) [00-054007-49560-4](#) [00-054007-70209-2](#) [00-054007-70225-2](#) [00-054007-70227-6](#) [00-054007-70231-3](#) [00-054007-70241-2](#) [00-054007-70242-9](#) [00-054007-70244-3](#) [00-054007-70246-7](#) [00-054007-70263-4](#) [00-054007-70288-7](#) [00-054007-70290-0](#) [00-054007-70300-6](#) [00-054007-70304-4](#) [01-2065-1-0216](#) [01-2900-1-04412](#) [00581P0075](#) [600TS-10](#) [60205-1](#) [604200-1](#) [605601-1](#) [60598-1-CUT-TAPE](#) [61314-6-C](#) [61810-3](#) [61-S](#) [61-SN](#) [626-0194](#) [62-NBM-A](#) [62-SN](#) [62-SP](#) [63-S](#) [640179-1](#) [M55155/059I03](#) [M55155/079C01](#) [M55155/099H02](#) [M55155/109H01](#) [M55155/109H02](#) [M55155/12XH05](#) [M55155/16XH02](#) [M55155/29-5S](#)