

THIS DRAWING IS UNPUBLISHED. RELEASED FOR PUBLICATION BY AMP INCORPORATED. ALL INTERNATIONAL RIGHTS RESERVED. COPYRIGHT 1983

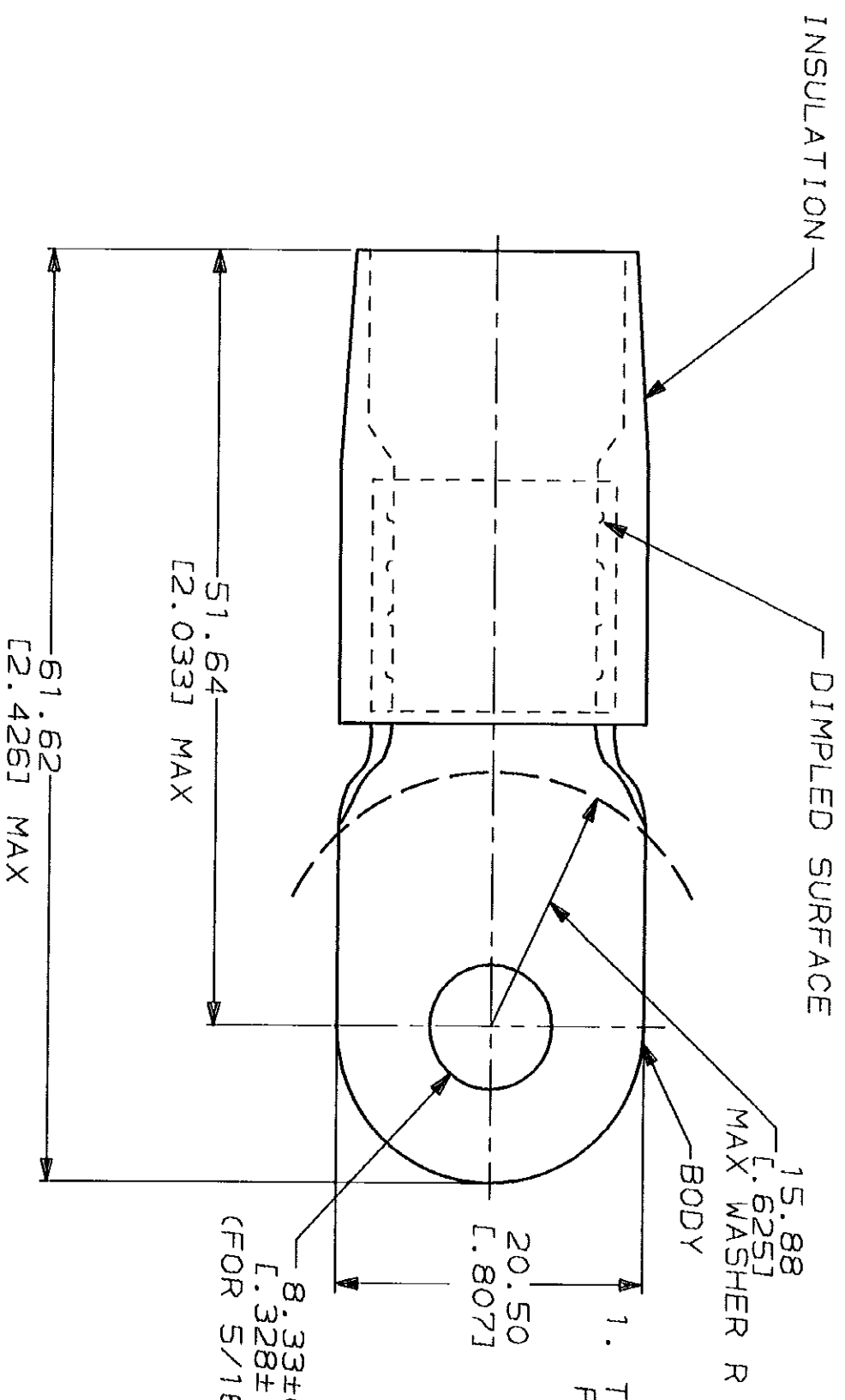
LOC	DIST	P	ZONE	LTR	DESCRIPTION	DATE	APPD
G	14				EC 0720-0279-93	6-18-93	56 BB

REVISIONS

AMP	WIRE RANGE
	1/0 AWG STRANDED

METRIQ
DIMENSIONS LISTED IN mm [INCHES]

1. TONGUE MATERIAL THK 1.78±0.08 [0.070±.003] FOR 14.73 [0.580] MAX WIRE INS DIA



AMP INCORPORATED
CUSTOMER SERVICE SYSTEMS

FOR ADDITIONAL PRODUCT INFORMATION OR COPIES OF DRAWINGS AND TECHNICAL DOCUMENTS	1-800-522-6752	PRODUCT INFORMATION CENTER
FOR APPLICATION TOOLING INFORMATION	1-800-722-1111	TOOLING ASSISTANCE CENTER
FOR ORDER ENTRY	1-800-526-5142	

MAX RECOMMENDED OPERATING TEMPERATURE: 105°c

VOLTAGE RATING: -

CIRCULAR MIL AREA: 42.4-60.6mm² [83,700-119,500] STRANDED

THIS DRAWING IS A CONTROLLED DOCUMENT FOR AMP INCORPORATED. IT IS SUBJECT TO CHANGE AND THE CONTROLLING ENGINEERING ORGANIZATION SHOULD BE CONTACTED FOR THE LATEST REVISION.

DO NOT SCALE PRINT. UNLESS SPECIFIED OTHERWISE DIMENSIONS IN MILLIMETERS. TOLERANCES ON: 1. DIMENSIONS: ±0.254 (0.010) 2. HOLE DIA: ±0.20 (0.008) 3. HOLE DEC: ±0.25 (0.010) ANGLES: ±0.5°

MATERIAL: COPPER PER ASTM B-152 NYLON (MIL-M-20693) TYPE 1 COLOR: BLUE

FINISH: TIN PLATE PER MIL-T-10727

LOOSE PC 324113

PACKAGE TYPE PART NO

AMP AMP Incorporated Harrisburg, PA 17105-3608

TERMINAL, RING TONGUE, TERMINYL WIRE SIZE: 1/0 AWG

DR	6/93	SS GOLDEN
CHK	6/93	R HERSEY
APPD	6/93	B BARE
APPD	6/93	H ELLIS
PRODUCT SPEC		
APPLICATION SPEC		
WEIGHT		

X-ON Electronics

Largest Supplier of Electrical and Electronic Components

Click to view similar products for [Terminals](#) category:

Click to view products by [TE Connectivity](#) manufacturer:

Other Similar products are found below :

[00-054007-01074-6](#) [00-054007-70206-1](#) [00-054007-70210-8](#) [00-054007-70217-7](#) [00-054007-70226-9](#) [00-054007-70228-3](#) [00-054007-70248-1](#) [00-054007-70256-6](#) [00-054007-70301-3](#) [00-054007-70316-7](#) [0-0320562-0](#) [00-054007-49560-4](#) [00-054007-70209-2](#) [00-054007-70225-2](#) [00-054007-70227-6](#) [00-054007-70231-3](#) [00-054007-70241-2](#) [00-054007-70242-9](#) [00-054007-70244-3](#) [00-054007-70246-7](#) [00-054007-70263-4](#) [00-054007-70288-7](#) [00-054007-70290-0](#) [00-054007-70300-6](#) [00-054007-70304-4](#) [01-2065-1-0216](#) [01-2900-1-04412](#) [00581P0075](#) [600TS-10](#) [60205-1](#) [604200-1](#) [605601-1](#) [60598-1-CUT-TAPE](#) [61314-6-C](#) [61810-3](#) [61-S](#) [61-SN](#) [626-0194](#) [62-NBM-A](#) [62-SN](#) [62-SP](#) [63-S](#) [640179-1](#) [M55155/059I03](#) [M55155/079C01](#) [M55155/099H02](#) [M55155/109H01](#) [M55155/109H02](#) [M55155/12XH05](#) [M55155/16XH02](#)