

THIS DRAWING IS UNPUBLISHED. RELEASED FOR PUBLICATION
 © COPYRIGHT 19 BY AMP INCORPORATED. ALL INTERNATIONAL RIGHTS RESERVED.

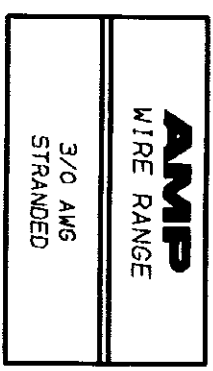
LOC G DIST 14

P F ZONE LTR

DESCRIPTION EC 0720-0279-93

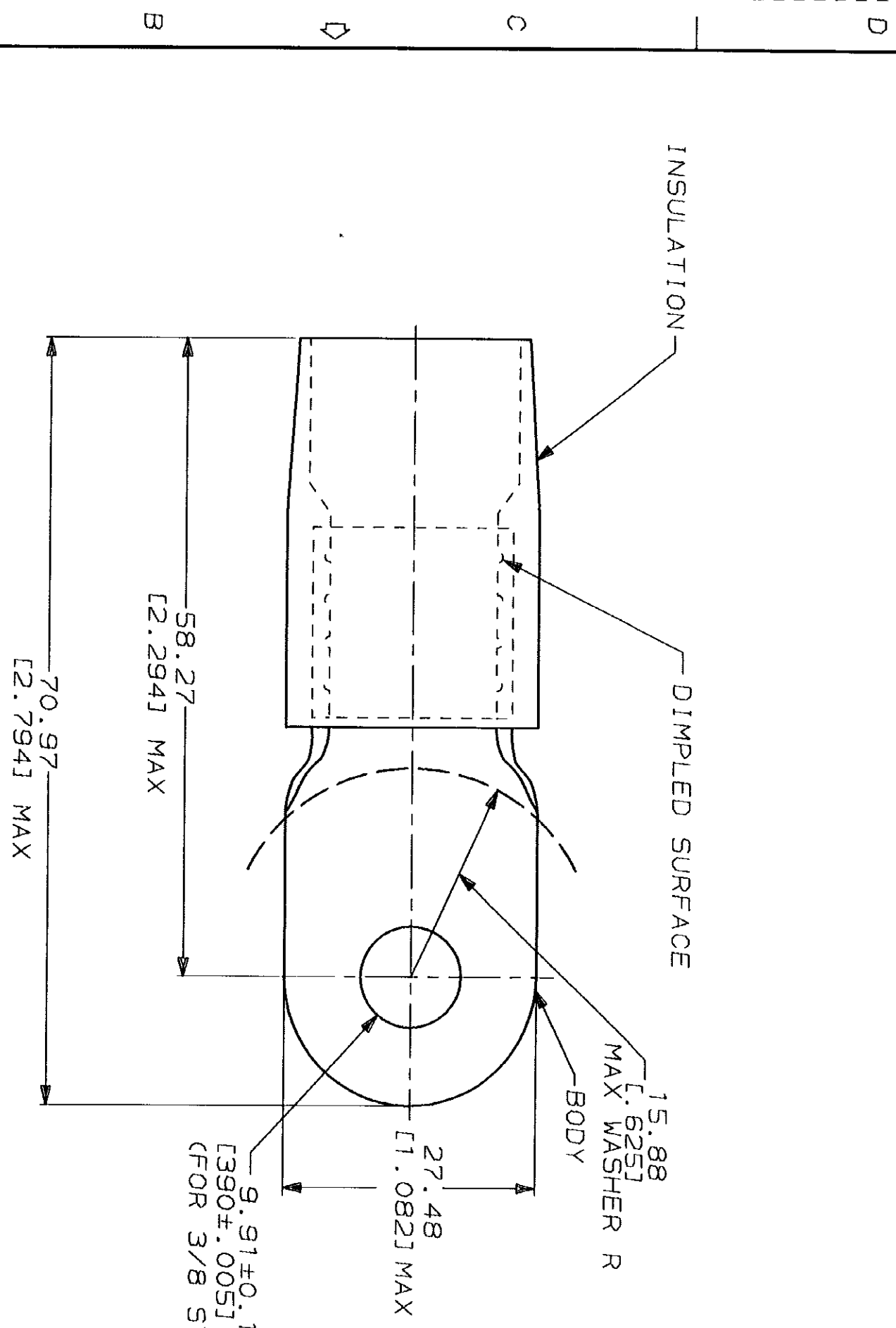
DATE 6-21-93 APPD GBB

REVISIONS



METRIOR
 DIMENSIONS LISTED IN mm [INCHES]

1. TONGUE MATERIAL THK 2.31±0.08 [0.091±.003]
 FOR 17.27 [0.680] MAX WIRE INS DIA



**AMP INCORPORATED
 CUSTOMER SERVICE SYSTEMS**

FOR ADDITIONAL PRODUCT INFORMATION OR COPIES OF DRAWINGS AND TECHNICAL DOCUMENTS	PRODUCT INFORMATION CENTER 1-800-522-6752
FOR APPLICATION	TOOLING ASSISTANCE CENTER 1-800-722-1111
FOR ORDER ENTRY	1-800-526-5142

MAX RECOMMENDED OPERATING TEMPERATURE: 105°C
 VOLTAGE RATING: -
 CIRCULAR MIL AREA: 76.3-96.3mm² [150,500-190,000] STRANDED

MILITARY P/N AND CLASS
 M525036-138 CLASS 2

DO NOT SCALE PRINT. UNLESS SPECIFIED DIMENSIONS IN INCHES. TOLERANCES ON: 1. ALL DIMENSIONS ± 0.201. 2. PLC DEC ± 0.201. 3. ALL ANGLES ± 0.201.

DR 6-21-93 S.S. GOLDEN
 CHK 6-21-93 R. HERSEY
 APPD 6-21-93 B. BARE
 M. ELLIS
 PRODUCT SPEC

MATERIAL COPPER PER ASTM B-152 NYLON (MIL-M-20693) TYPE 1 COLOR: RED
 FINISH TIN PLATE PER MIL-T-10727

PACKAGE TYPE LOOSE PC PART NO 324185
AMP AMP Incorporated Harrisburg, PA 17105-3608
 NAME TERMINAL, RING TONGUE, TERMINYL WIRE SIZE: 3/0 AWG

SIZE B CAGE CODE 00779 DRAWING NO G-324185
 SCALE NTS SHEET 1 OF 1

X-ON Electronics

Largest Supplier of Electrical and Electronic Components

Click to view similar products for [Terminals](#) category:

Click to view products by [TE Connectivity](#) manufacturer:

Other Similar products are found below :

[00-054007-01074-6](#) [00-054007-70206-1](#) [00-054007-70210-8](#) [00-054007-70217-7](#) [00-054007-70226-9](#) [00-054007-70228-3](#) [00-054007-70248-1](#) [00-054007-70256-6](#) [00-054007-70301-3](#) [00-054007-70316-7](#) [00-054007-49560-4](#) [00-054007-70209-2](#) [00-054007-70225-2](#) [00-054007-70227-6](#) [00-054007-70231-3](#) [00-054007-70241-2](#) [00-054007-70242-9](#) [00-054007-70244-3](#) [00-054007-70246-7](#) [00-054007-70263-4](#) [00-054007-70288-7](#) [00-054007-70290-0](#) [00-054007-70300-6](#) [00-054007-70304-4](#) [01-2065-1-0216](#) [01-2900-1-04412](#) [00581P0075](#) [600TS-10](#) [60205-1](#) [604200-1](#) [605601-1](#) [60598-1-CUT-TAPE](#) [61314-6-C](#) [61810-3](#) [61-S](#) [61-SN](#) [626-0194](#) [62-NBM-A](#) [62-SN](#) [62-SP](#) [63-S](#) [640179-1](#) [M55155/059I03](#) [M55155/079C01](#) [M55155/099H02](#) [M55155/109H01](#) [M55155/109H02](#) [M55155/12XH05](#) [M55155/16XH02](#) [M55155/29-5S](#)