

THIS DRAWING IS UNPUBLISHED. RELEASED FOR PUBLICATION
 © COPYRIGHT 19 BY AMP INCORPORATED. ALL INTERNATIONAL RIGHTS RESERVED.

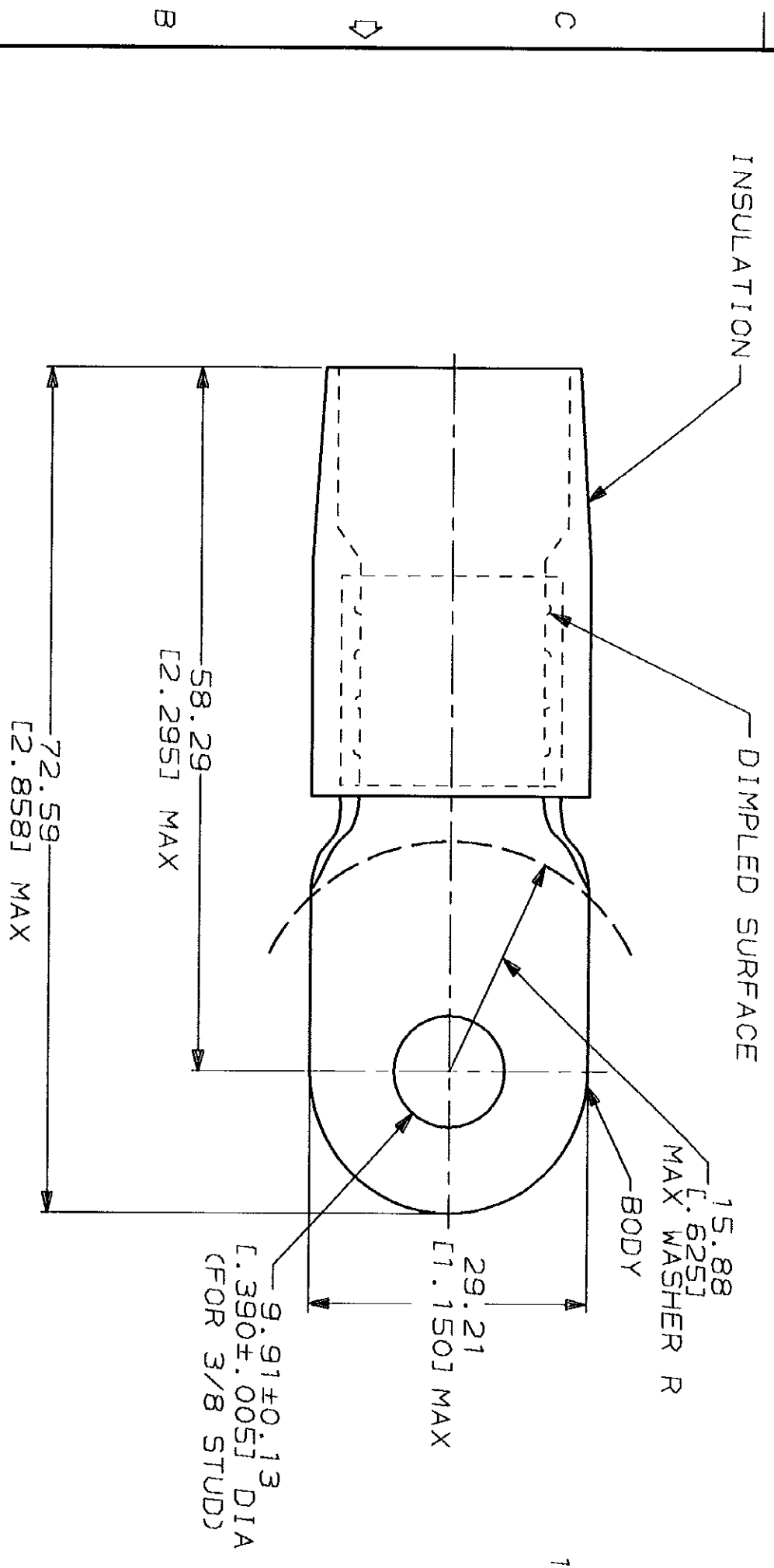
Loc	DIST	P	F	ZONE	LTR	DESCRIPTION	DATE	APPD
G	14				K	EC 0720-0279-93	6-21-93	SS BB

REVISIONS

AMP
WIRE RANGE
4/0 AWG
STRANDED

METRIOR
DIMENSIONS LISTED IN mm [INCHES]

1. TONGUE MATERIAL THK 2.59±0.08[.102±.003] FOR 19.43[.765] MAX WIRE INS DIA



**AMP INCORPORATED
CUSTOMER SERVICE SYSTEMS**

FOR ADDITIONAL PRODUCT INFORMATION OR COPIES OF DRAWINGS AND TECHNICAL DOCUMENTS	PRODUCT INFORMATION CENTER 1-800-522-6752	MAX RECOMMENDED OPERATING TEMPERATURE: 105°C
FOR APPLICATION	TOOLING ASSISTANCE CENTER 1-800-722-1111	VOLTAGE RATING: -
FOR ORDER ENTRY	1-800-526-5142	CIRCULAR MIL AREA: 96.3-117mm² [190,000-231,100] STRANDED

MS25036-140 CLASS 2	MILITARY P/N AND CLASS	DO NOT SCALE PRINT. UNLESS SPECIFIED OTHERWISE
		1 PLG DEC # 0.20(.008)
		2 PLG DEC # -
		3 PLG DEC # -
		ANGLES -
		MATERIAL
		COPPER PER ASTM B-152
		NYLON (MIL-M-20693) TYPE 1
		COLOR: BLUE
		FINISH
		TIN PLATE PER MIL-T-10727

LOOSE PC	324187	PACKAGE TYPE	PART NO
AMP	AMP Incorporated Harrisburg, PA 17105-3608	NAME	
TERMINAL, RING TONGUE, TERMINYL		SIZE	CAGE CODE
WIRE SIZE: 4/0 AWG		B	00779
		SCALE	DRAWING NO
		NTS	G=324187
			SHEET
			1 OF 1

AMP 1470-15 REV 3-92 22 JUN 1993 12:38:32 AMP1122 <UJ128A>DEPT1132>AMP1122>U.CUSTOMERINYL

CUSTOMER DRAWING

X-ON Electronics

Largest Supplier of Electrical and Electronic Components

Click to view similar products for [Terminals](#) category:

Click to view products by [TE Connectivity](#) manufacturer:

Other Similar products are found below :

[00-054007-01074-6](#) [00-054007-70206-1](#) [00-054007-70210-8](#) [00-054007-70217-7](#) [00-054007-70226-9](#) [00-054007-70228-3](#) [00-054007-70248-1](#) [00-054007-70256-6](#) [00-054007-70301-3](#) [00-054007-70316-7](#) [0-0320562-0](#) [00-054007-49560-4](#) [00-054007-70209-2](#) [00-054007-70225-2](#) [00-054007-70227-6](#) [00-054007-70231-3](#) [00-054007-70241-2](#) [00-054007-70242-9](#) [00-054007-70244-3](#) [00-054007-70246-7](#) [00-054007-70263-4](#) [00-054007-70288-7](#) [00-054007-70290-0](#) [00-054007-70300-6](#) [00-054007-70304-4](#) [01-2065-1-0216](#) [01-2900-1-04412](#) [00581P0075](#) [600TS-10](#) [60205-1](#) [604200-1](#) [605601-1](#) [60598-1-CUT-TAPE](#) [61314-6-C](#) [61810-3](#) [61-S](#) [61-SN](#) [626-0194](#) [62-NBM-A](#) [62-SN](#) [62-SP](#) [63-S](#) [640179-1](#) [M55155/059I03](#) [M55155/079C01](#) [M55155/099H02](#) [M55155/109H01](#) [M55155/109H02](#) [M55155/12XH05](#) [M55155/16XH02](#)