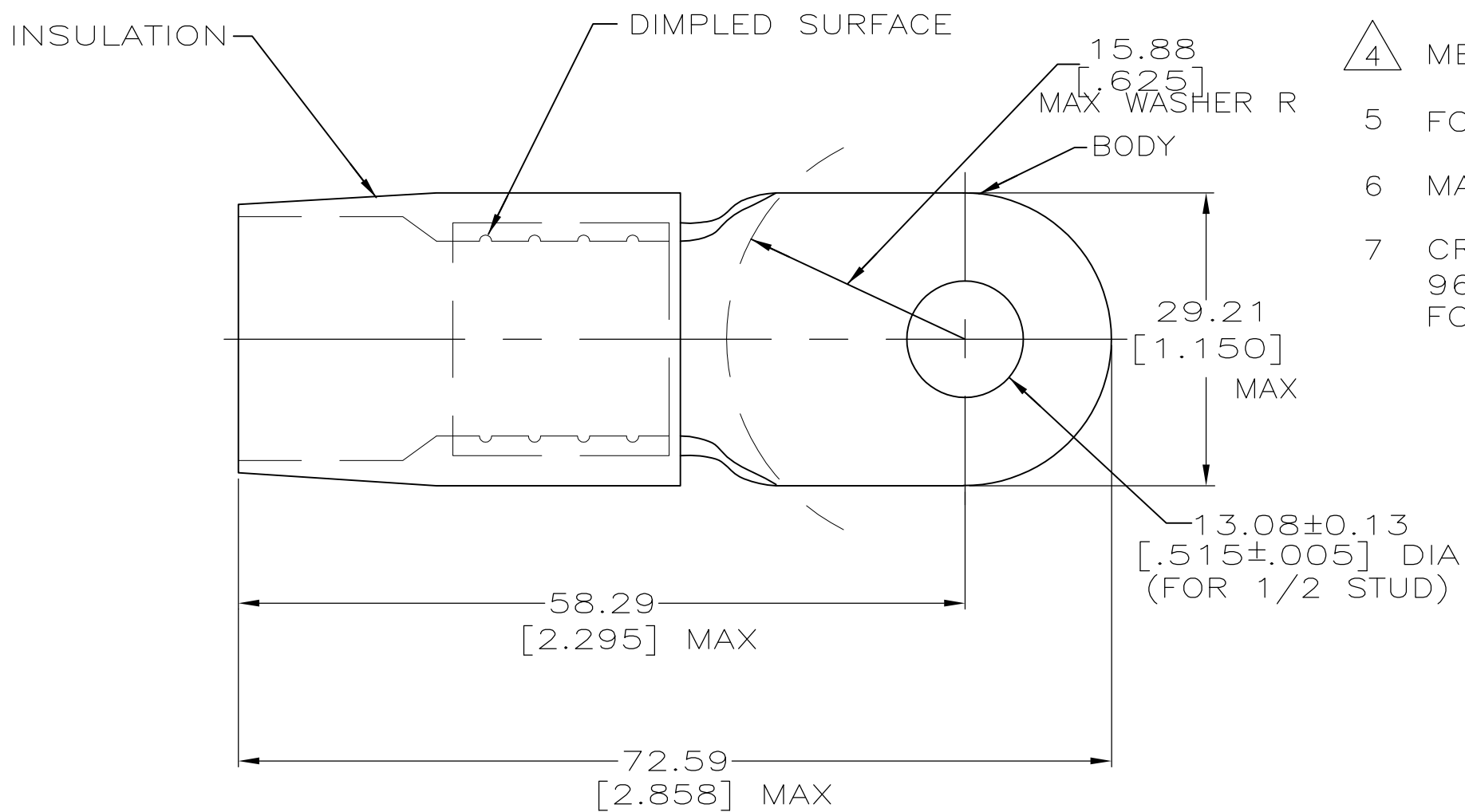


THIS DRAWING IS UNPUBLISHED. RELEASED FOR PUBLICATION
 © COPYRIGHT BY TYCO ELECTRONICS CORPORATION. ALL INTERNATIONAL RIGHTS RESERVED.

LOC	DIST	REVISIONS					
		P	LTR	DESCRIPTION	DATE	DWN	APVD
G	14		L1	REV PER ECR 09-026553	04DEC09	JR	TM

AMP WIRE RANGE
4/0 AWG STRANDED

1. TONGUE MATERIAL THK 2.59 ± 0.08
[.102 ± .003]
- △2 MATERIAL: BODY — COPPER PER ASTM B-152
INSULATION — NYLON
MIL-M-20693, TYPE 1
- △3 FINISH: BODY — TIN PLATE PER ASTM B-545
INSULATION — COLOR BLUE
- △4 MEETS MS25036-141, CLASS 2
- 5 FOR 19.43 [.765] MAX WIRE INS DIA
- 6 MAX OPERATING TEMP IS 105°C
- 7 CROSS SECTIONAL AREA RANGE IS
96.3-117mm² [190,000-231,000] CMA
FOR STRANDED WIRE.



-	LOOSE PC	△4 324188
QTY	PACKAGE TYPE	PART NUMBER

THIS DRAWING IS A CONTROLLED DOCUMENT.		DWN SS GOULDEN 6/93	Tyco Electronics Corporation Harrisburg, PA 17105-3608		
DIMENSIONS: MM [INCHES]		CHK R HERSEY 6/93			
TOLERANCES UNLESS OTHERWISE SPECIFIED:		APVD JL MECKLEY 6/93	NAME TERMINAL, RING TONGUE, TERMINYL WIRE SIZE: 4/0		
0 PLC ± - 1 PLC ± - 2 PLC ± 0.20 [.008] 3 PLC ± - 4 PLC ± - ANGLES ± -		PRODUCT SPEC -	RESTRICTED TO -		
MATERIAL		APPLICATION SPEC -	SIZE A3	CAGE CODE 00779	DRAWING NO G-324188
FINISH		WEIGHT -	SCALE NTS		SHEET 1 OF 1
△2 △3		CUSTOMER DRAWING		REV L1	

X-ON Electronics

Largest Supplier of Electrical and Electronic Components

Click to view similar products for [Terminals](#) category:

Click to view products by [TE Connectivity](#) manufacturer:

Other Similar products are found below :

[00-054007-01074-6](#) [00-054007-70206-1](#) [00-054007-70210-8](#) [00-054007-70217-7](#) [00-054007-70226-9](#) [00-054007-70228-3](#) [00-054007-70248-1](#) [00-054007-70256-6](#) [00-054007-70301-3](#) [00-054007-70316-7](#) [00-054007-49560-4](#) [00-054007-70209-2](#) [00-054007-70225-2](#) [00-054007-70227-6](#) [00-054007-70231-3](#) [00-054007-70241-2](#) [00-054007-70242-9](#) [00-054007-70244-3](#) [00-054007-70246-7](#) [00-054007-70263-4](#) [00-054007-70288-7](#) [00-054007-70290-0](#) [00-054007-70300-6](#) [00-054007-70304-4](#) [01-2065-1-0216](#) [01-2900-1-04412](#) [00581P0075](#) [600TS-10](#) [60205-1](#) [604200-1](#) [605601-1](#) [60598-1-CUT-TAPE](#) [61314-6-C](#) [61810-3](#) [61-S](#) [61-SN](#) [626-0194](#) [62-NBM-A](#) [62-SN](#) [62-SP](#) [63-S](#) [640179-1](#) [M55155/059I03](#) [M55155/079C01](#) [M55155/099H02](#) [M55155/109H01](#) [M55155/109H02](#) [M55155/12XH05](#) [M55155/16XH02](#) [M55155/29-5S](#)