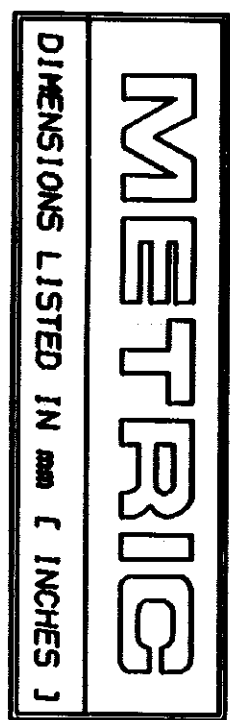
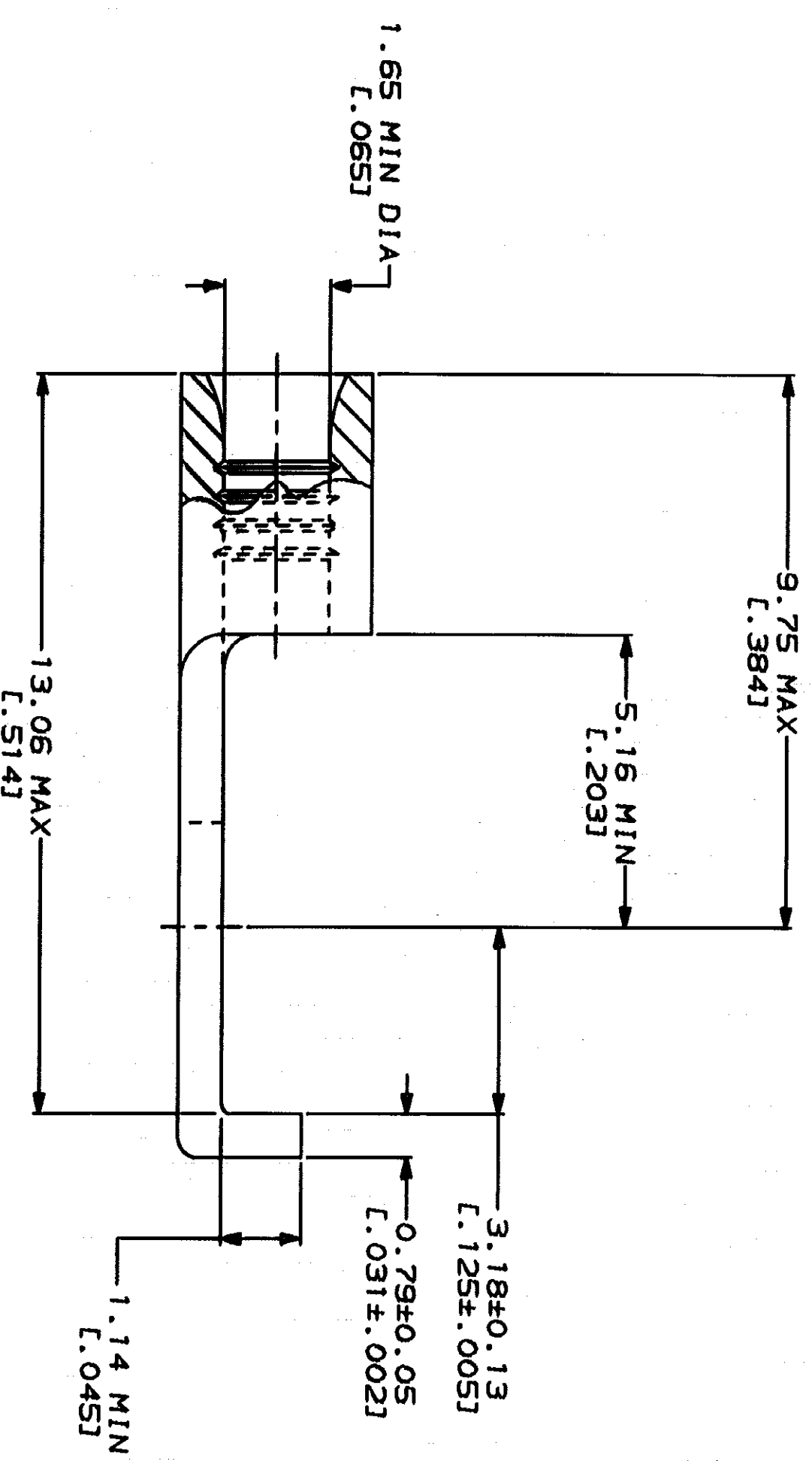
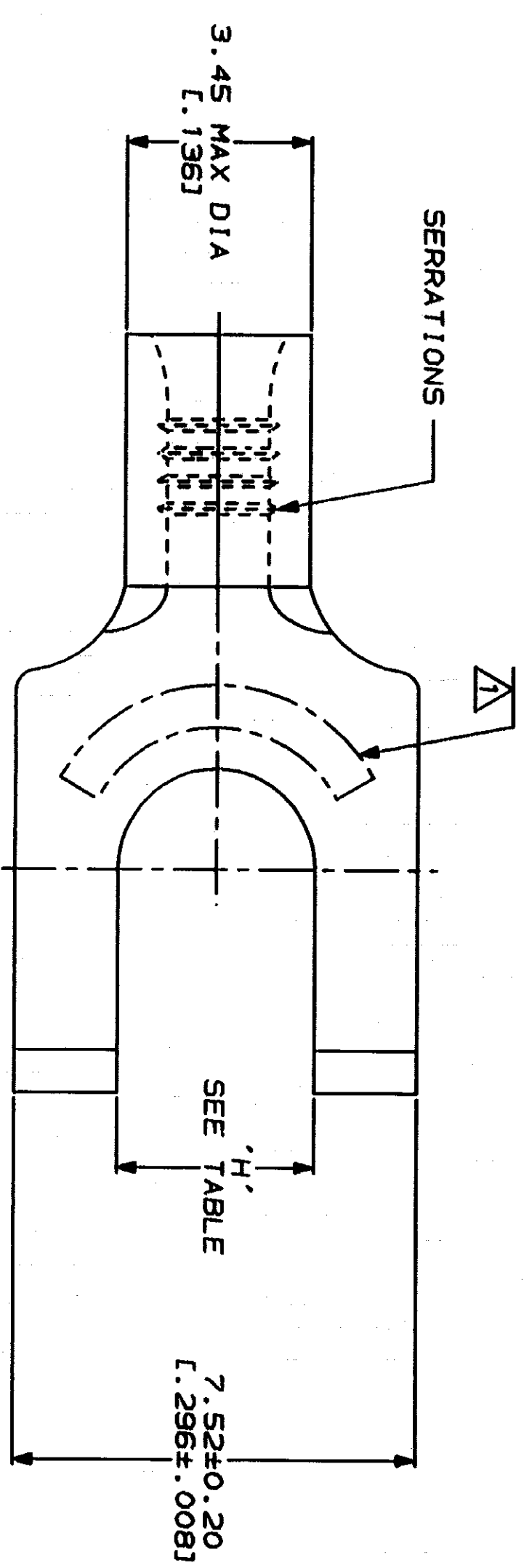


LOG	DIST	ZONE	LTH	DESCRIPTION	DATE	APP
G	14			REVISED PER 0720-0230-93		



AMP WIRE RANGE	UL E13288 Listed
22-16 AWG STRANDED	22-16 AWG STRANDED
LR7189 Certified	MILITARY P/N AND CLASS
NOT CERTIFIED	NOT APPLICABLE

△ STAMP AMP 22-18* APPROX AS SHOWN
 22-16 TERMINALS ARE STAMPED 22-18 IN ACCORDANCE WITH MILITARY SPECIFICATION MIL-T-7928, COMMERCIAL WIRE RANGE IS 22-16



QUANTITY	STUD SIZE	H	PACKAGING TYPE	PART NO
5000	8	4.34±0.08 [.171±.003]	1-32418-2 ON TAPE	1-32418-4
---	8	4.34±0.08 [.171±.003]	LOOSE PIECE	1-32418-2
---	6	3.68±0.08 [.145±.003]	LOOSE PIECE	32418

DO NOT SCALE PRINT. UNLESS SPECIFIED DIMENSIONS IN INCHES. TOLERANCES ON: 1 2 PLC DEC ± 3 PLC DEC ± ANGLES MATERIAL FINISH

DR 3-2-93 TA BRINKMAN
 CHK 3-2-93 DA PATTERSON
 APPD 3-2-93 DE MILLER
 APPD 3-2-93 JL MCKELEY
 PRODUCT SPEC

AMP INCORPORATED
 HARRISBURG, PA 17105-3508

TERMINAL, FLANGED
 SPADE, BUDGET

AMP INCORPORATED
 CUSTOMER SERVICE SYSTEMS

FOR ADDITIONAL PRODUCT INFORMATION OR COPIES OF DRAWINGS AND TECHNICAL DOCUMENTS: 1-800-522-6752

FOR APPLICATION TOOLING INFORMATION: 1-800-722-1111

FOR ORDER ENTRY: 1-800-526-5142

MAX RECOMMENDED OPERATING TEMPERATURE: 170°C MAX

VOLTAGE RATING: NOT APPLICABLE

WIRE CROSS SECTIONAL AREA RANGE: 0.26-1.65mm² (509-3,260) CIR MILS STRANDED

FINISH: TIN PLATE
 0.00254L [.000100] MIN THK PER MIL-T-10727

THIS DRAWING IS A CONTROLLED DOCUMENT FOR AMP AND THE CONTENTS ARE SUBJECT TO CHANGE WITHOUT NOTICE. THIS DRAWING IS A CONTROLLED DOCUMENT FOR AMP AND THE CONTENTS ARE SUBJECT TO CHANGE WITHOUT NOTICE.

X-ON Electronics

Largest Supplier of Electrical and Electronic Components

Click to view similar products for [Terminals](#) category:

Click to view products by [TE Connectivity](#) manufacturer:

Other Similar products are found below :

[00-054007-01074-6](#) [00-054007-70206-1](#) [00-054007-70210-8](#) [00-054007-70217-7](#) [00-054007-70226-9](#) [00-054007-70228-3](#) [00-054007-70248-1](#) [00-054007-70256-6](#) [00-054007-70301-3](#) [00-054007-70316-7](#) [00-054007-49560-4](#) [00-054007-70209-2](#) [00-054007-70225-2](#) [00-054007-70227-6](#) [00-054007-70231-3](#) [00-054007-70241-2](#) [00-054007-70242-9](#) [00-054007-70244-3](#) [00-054007-70246-7](#) [00-054007-70263-4](#) [00-054007-70288-7](#) [00-054007-70290-0](#) [00-054007-70300-6](#) [00-054007-70304-4](#) [01-2065-1-0216](#) [01-2900-1-04412](#) [00581P0075](#) [600TS-10](#) [60205-1](#) [604200-1](#) [605601-1](#) [60598-1-CUT-TAPE](#) [61314-6-C](#) [61810-3](#) [61-S](#) [61-SN](#) [626-0194](#) [62-NBM-A](#) [62-SN](#) [62-SP](#) [63-S](#) [640179-1](#) [M55155/059I03](#) [M55155/079C01](#) [M55155/099H02](#) [M55155/109H01](#) [M55155/109H02](#) [M55155/12XH05](#) [M55155/16XH02](#) [M55155/29-5S](#)