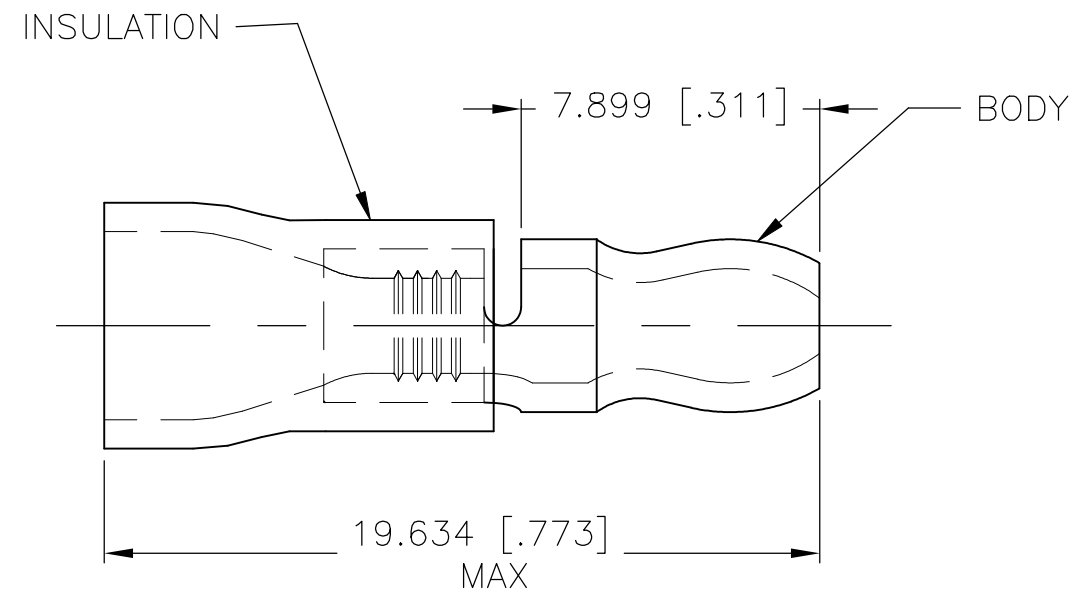



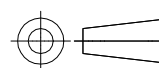
THIS DRAWING IS UNPUBLISHED. RELEASED FOR PUBLICATION
 © COPYRIGHT - TE Connectivity Ltd. ALL RIGHTS RESERVED.

REVISIONS					
P	LTR	DESCRIPTION	DATE	DWN	APVD
	G1	REV PER ECR 07-011456	11JUN07	JR	TM
	G2	REVISED PER ECO-17-014338	15MAY2018	RS	DR

- 1 BODY MATERIAL THK 0.787±0.051[.031±.002]
- 2 MATERIAL :BODY - CU PER ASTM B152
SLEEVE - PVC, BLUE
- 3 FINISH :BODY - TIN PER ASTM B545
- 4 FOR WIRE INSULATION 2.997-4.902 [.118-.193]
- 5 NOTE DELETED
- 6 NOTE DELETED



1000	LOOSE PIECE	324228
QTY	PACKAGE TYPE	PART NO.

THIS DRAWING IS A CONTROLLED DOCUMENT.		DWN JR RUTH 21JUL06	 TE Connectivity Ltd.		
DIMENSIONS: mm [INCHES]		CHK T MICHIELUTTI 21JUL06			
		APVD T MICHIELUTTI 21JUL06	NAME TERMINAL, PLASTI-GRIP, SHURPLUG, 180 SERIES, PIN, WIRE SIZE 16-14		
TOLERANCES UNLESS OTHERWISE SPECIFIED:		PRODUCT SPEC	APPLICATION SPEC		
0 PLC ± - 1 PLC ± - 2 PLC ± - 3 PLC ± 0.127[.005] 4 PLC ± - ANGLES ± -		WEIGHT	SIZE A3	CAGE CODE 00779	DRAWING NO C-324228
MATERIAL		CUSTOMER DRAWING		RESTRICTED TO	SCALE 5:1
FINISH		SCALE 5:1		SHEET 1 OF 1	REV G2

X-ON Electronics

Largest Supplier of Electrical and Electronic Components

Click to view similar products for [Terminals](#) category:

Click to view products by [TE Connectivity](#) manufacturer:

Other Similar products are found below :

[00-054007-01074-6](#) [00-054007-70206-1](#) [00-054007-70210-8](#) [00-054007-70217-7](#) [00-054007-70226-9](#) [00-054007-70228-3](#) [00-054007-70248-1](#) [00-054007-70256-6](#) [00-054007-70301-3](#) [00-054007-70316-7](#) [00-054007-49560-4](#) [00-054007-70209-2](#) [00-054007-70225-2](#) [00-054007-70227-6](#) [00-054007-70231-3](#) [00-054007-70241-2](#) [00-054007-70242-9](#) [00-054007-70244-3](#) [00-054007-70246-7](#) [00-054007-70263-4](#) [00-054007-70288-7](#) [00-054007-70290-0](#) [00-054007-70300-6](#) [00-054007-70304-4](#) [01-2065-1-0216](#) [01-2900-1-04412](#) [00581P0075](#) [600TS-10](#) [60205-1](#) [604200-1](#) [605601-1](#) [60598-1-CUT-TAPE](#) [61314-6-C](#) [61810-3](#) [61-S](#) [61-SN](#) [626-0194](#) [62-NBM-A](#) [62-SN](#) [62-SP](#) [63-S](#) [640179-1](#) [M55155/059I03](#) [M55155/079C01](#) [M55155/099H02](#) [M55155/109H01](#) [M55155/109H02](#) [M55155/12XH05](#) [M55155/16XH02](#) [M55155/29-5S](#)