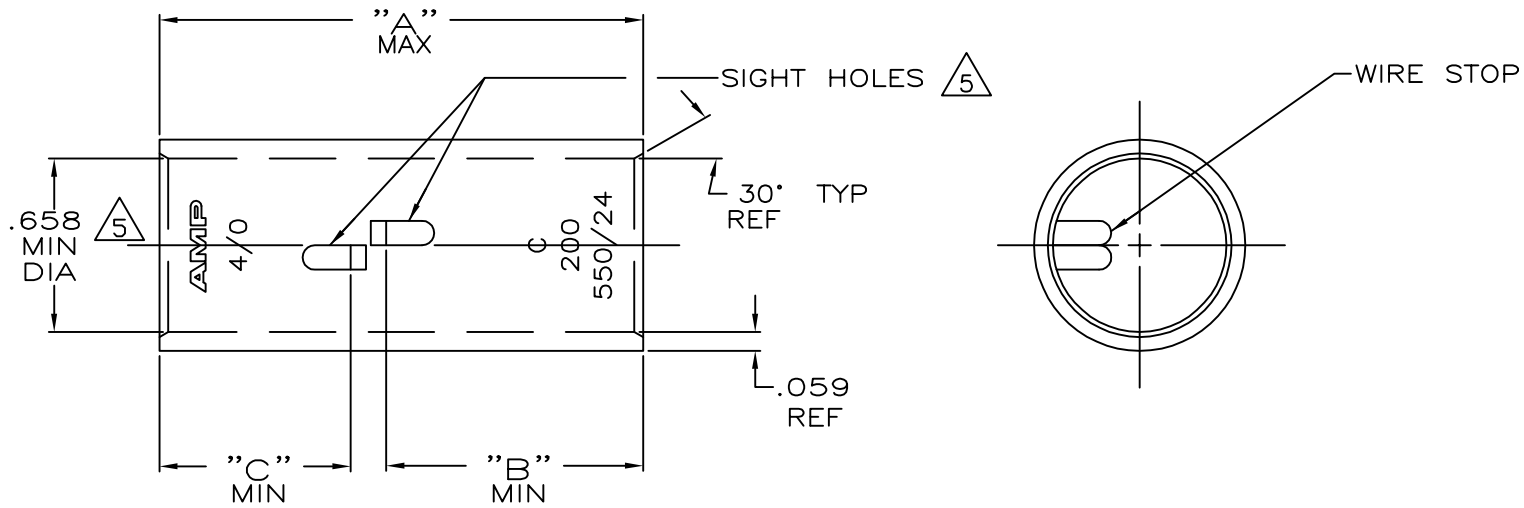


THIS DRAWING IS UNPUBLISHED. RELEASED FOR PUBLICATION
 © COPYRIGHT - By - ALL RIGHTS RESERVED.

LOC	DIST	REVISIONS					
G	86	P	LTR	DESCRIPTION	DATE	DWN	APVD
		R		ECR-13-000998	09FEB2013	PK	HS



- △1 TIN PL .000150 MIN THK PER ASTM B 545
- △2 PART NO: 324461; .071 LB.
PART NO: 1-324461-0; .071 LB.
PART NO: 2-324461-2; .082 LB.
PART NO: 2-324461-3; .082 LB.
- △3 CLEANED, UNPLATED
- △4 PRELIMINARY - NOT FOR PRODUCTION
.045 MAX BURR ALLOWED INSIDE THE WIRE BARREL ID IN AREA OF SIGHT HOLE.
- △5

.72	.97	1.89	190,000-	△1	COPPER	2-324461-3
			231,000	△3		ASTM-B-75
.72	.72	1.65	CM	△3	ANNEALED	△4 1-324461-0
				△1		324461
"C"	"B"	"A"	WIRE RANGE	FINISH	MATERIAL	PART No

THIS DRAWING IS A CONTROLLED DOCUMENT.		DWN	DK SCHRUM	4/24/89	TE TE Connectivity	
		CHK	MS FEHER	4/24/89		
DIMENSIONS: INCHES		APVD	WJ VOCKROTH	11/8/89	NAME	
TOLERANCES UNLESS OTHERWISE SPECIFIED:		PRODUCT SPEC		SPLICE, BUTT, AMPPOWER		
0 PLC ± -		APPLICATION SPEC		WIRE SIZE: 4/0 AWG		
1 PLC ± -		WEIGHT		SIZE		
2 PLC ± -		FINISH		CAGE CODE		
3 PLC ± -		MATERIAL		DRAWING NO		
4 PLC ± -		SEE TABLE		RESTRICTED TO		
4 ANGLES ± -		CUSTOMER DRAWING		SCALE 2:1		
				SHEET 1 OF 1		
				REV R		

X-ON Electronics

Largest Supplier of Electrical and Electronic Components

Click to view similar products for [Terminals](#) category:

Click to view products by [TE Connectivity](#) manufacturer:

Other Similar products are found below :

[00-054007-01074-6](#) [00-054007-70206-1](#) [00-054007-70210-8](#) [00-054007-70217-7](#) [00-054007-70226-9](#) [00-054007-70228-3](#) [00-054007-70248-1](#) [00-054007-70256-6](#) [00-054007-70301-3](#) [00-054007-70316-7](#) [0-0320562-0](#) [00-054007-49560-4](#) [00-054007-70209-2](#) [00-054007-70225-2](#) [00-054007-70227-6](#) [00-054007-70231-3](#) [00-054007-70241-2](#) [00-054007-70242-9](#) [00-054007-70244-3](#) [00-054007-70246-7](#) [00-054007-70263-4](#) [00-054007-70288-7](#) [00-054007-70290-0](#) [00-054007-70300-6](#) [00-054007-70304-4](#) [01-2065-1-0216](#) [01-2900-1-04412](#) [00581P0075](#) [600TS-10](#) [60205-1](#) [604200-1](#) [605601-1](#) [60598-1-CUT-TAPE](#) [61314-6-C](#) [61810-3](#) [61-S](#) [61-SN](#) [626-0194](#) [62-NBM-A](#) [62-SN](#) [62-SP](#) [63-S](#) [640179-1](#) [M55155/059I03](#) [M55155/079C01](#) [M55155/099H02](#) [M55155/109H01](#) [M55155/109H02](#) [M55155/12XH05](#) [M55155/16XH02](#)