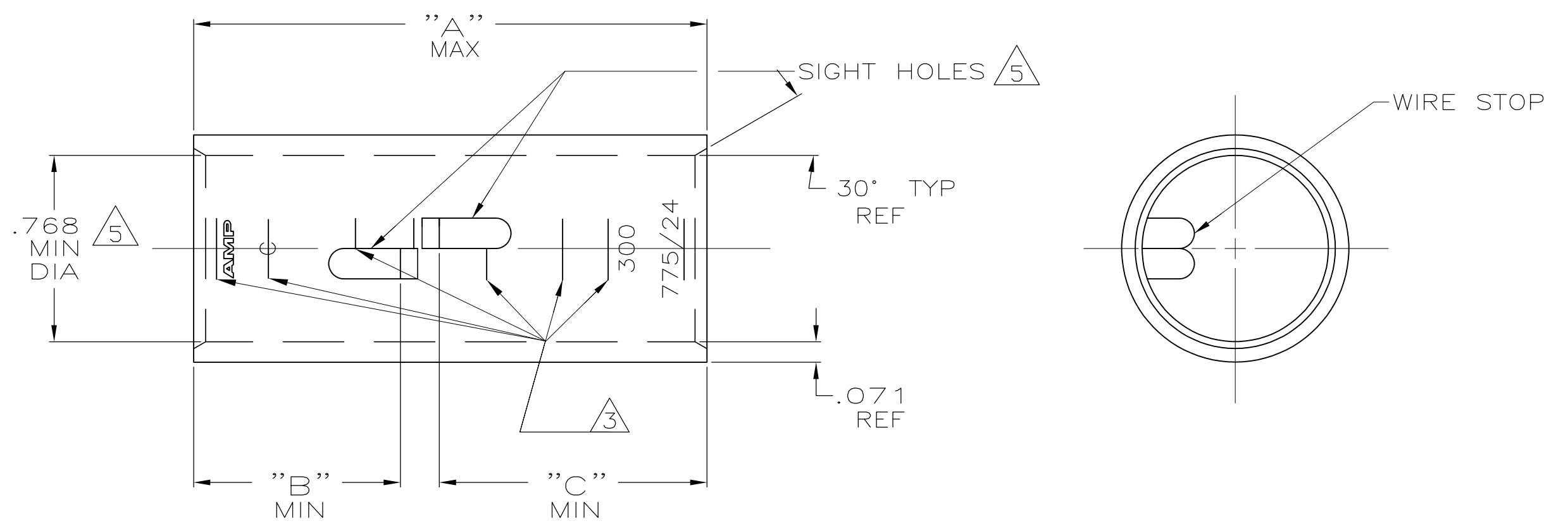


THIS DRAWING IS UNPUBLISHED. RELEASED FOR PUBLICATION
 © COPYRIGHT - By - ALL RIGHTS RESERVED.

REVISIONS					
P	LTR	DESCRIPTION	DATE	DWN	APVD
	U	ECR-13-000998	11FEB2013	PK	HS
	U1	ECR-16-012832	07SEP2016	KR	MV



- ① TIN PL .000150 MIN THK PER ASTM B-545
- ② PART NO: 324463; .116 LB.
PART NO: 1-324463-0; .116 LB.
PART NO: 2-324463-5; .132 LB.
- ③ CRIMP LOCATION MARKS ON P/N 2-324463-5 ONLY.
- ④ CLEANED, UNPLATED
- ⑤ .045 MAX BURR ALLOWED INSIDE THE WIRE BARREL ID IN AREA OF SIGHT HOLE.

1.10	.85	2.18	① ③	275-325 MCM	COPPER ASTM-B-75 ANNEALED	2-324463-5
.85	.85	1.93	④			1-324463-0
"C"	"B"	"A"	FINISH	WIRE RANGE	MATERIAL	PART No 324463

THIS DRAWING IS A CONTROLLED DOCUMENT.

DIMENSIONS: INCHES	TOLERANCES UNLESS OTHERWISE SPECIFIED:	DWN DK SCHRUM 4/24/89	TE Connectivity SPLICE, BUTT, AMPPOWER WIRE SIZE: 300 MCM
	0 PLC ± -	CHK MS FEHER 4/24/89	
	1 PLC ± -	APVD WJ VOCKROTH 11/8/89	
	2 PLC ± -	NAME	
	3 PLC ± -	PRODUCT SPEC	SIZE
	4 PLC ± -	APPLICATION SPEC	CAGE CODE
	ANGLES ± -	WEIGHT	DRAWING NO
MATERIAL SEE TABLE	FINISH SEE TABLE	CUSTOMER DRAWING	RESTRICTED TO
		SCALE 2:1	SHEET 1 OF 1
		REV U1	

X-ON Electronics

Largest Supplier of Electrical and Electronic Components

Click to view similar products for [Terminals](#) category:

Click to view products by [TE Connectivity](#) manufacturer:

Other Similar products are found below :

[00-054007-01074-6](#) [00-054007-70206-1](#) [00-054007-70210-8](#) [00-054007-70217-7](#) [00-054007-70226-9](#) [00-054007-70228-3](#) [00-054007-70248-1](#) [00-054007-70256-6](#) [00-054007-70301-3](#) [00-054007-70316-7](#) [0-0320562-0](#) [00-054007-49560-4](#) [00-054007-70209-2](#) [00-054007-70225-2](#) [00-054007-70227-6](#) [00-054007-70231-3](#) [00-054007-70241-2](#) [00-054007-70242-9](#) [00-054007-70244-3](#) [00-054007-70246-7](#) [00-054007-70263-4](#) [00-054007-70288-7](#) [00-054007-70290-0](#) [00-054007-70300-6](#) [00-054007-70304-4](#) [01-2065-1-0216](#) [01-2900-1-04412](#) [00581P0075](#) [600TS-10](#) [60205-1](#) [604200-1](#) [605601-1](#) [60598-1-CUT-TAPE](#) [61314-6-C](#) [61810-3](#) [61-S](#) [61-SN](#) [626-0194](#) [62-NBM-A](#) [62-SN](#) [62-SP](#) [63-S](#) [640179-1](#) [M55155/059I03](#) [M55155/079C01](#) [M55155/099H02](#) [M55155/109H01](#) [M55155/109H02](#) [M55155/12XH05](#) [M55155/16XH02](#)