

4

3

2

1

THIS DRAWING IS UNPUBLISHED.

RELEASED FOR PUBLICATION

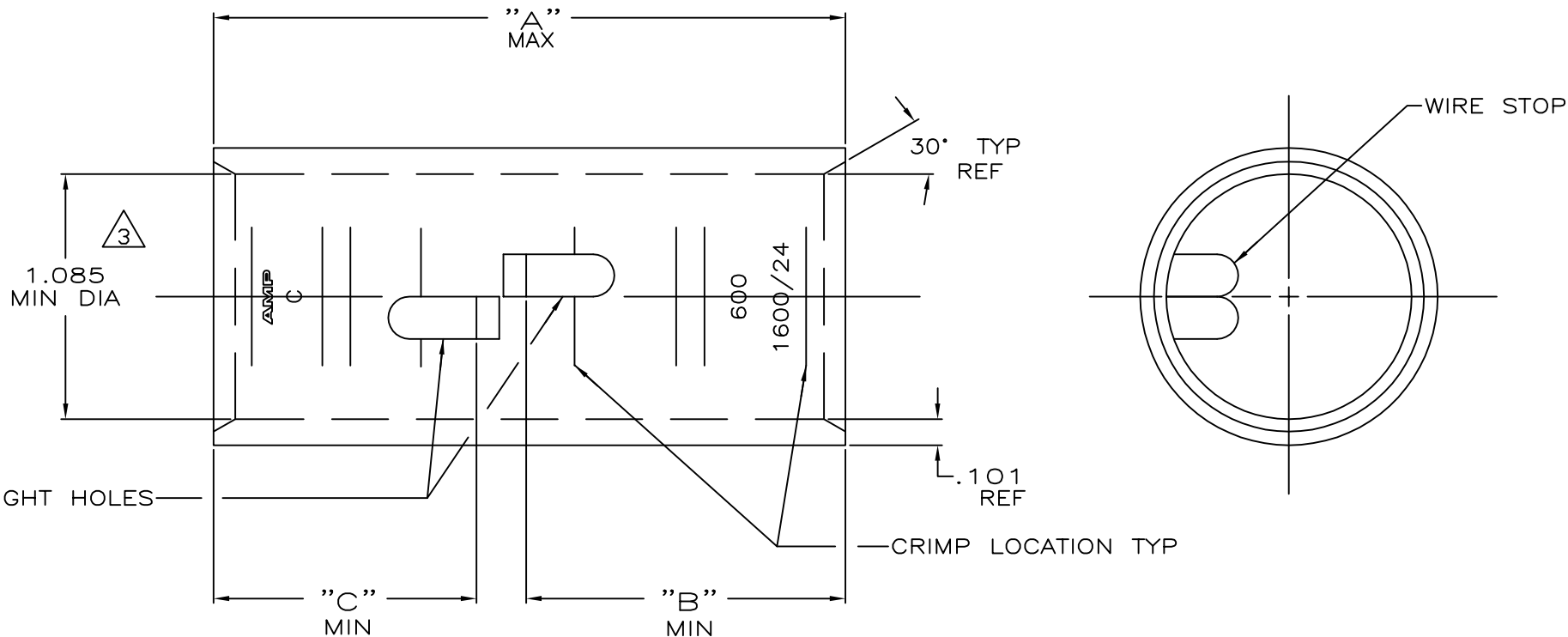
ALL RIGHTS RESERVED.

© COPYRIGHT - By -

LOC G DIST 86

REVISIONS

P	LTR	DESCRIPTION	DATE	DWN	APVD
	S	ECR-13-000998	11FEB2013	PK	HS



1 TIN PL .000150 MIN THK MIL-T-10727

2 PART NO: 324467; .317 LB.  
PART NO: 1-324467-0; .317 LB.  
PART NO: 2-324467-3; .348 LB.

3 .045 MAX BURR ALLOWED INSIDE THE WIRE BARREL ID IN AREA OF SIGHT HOLE.

1.16	1.41	2.86	△	550-650 MCM	COPPER ASTM-B-75 ANNEALED	2-324467-3
1.16	1.16	2.61	CLEANED △			1-324467-0
"C"	"B"	"A"	FINISH	WIRE RANGE	MATERIAL	PART No 324467

THIS DRAWING IS A CONTROLLED DOCUMENT.

DWN DK SCHRUM 4/24/89	 TE Connectivity  SPLICE, BUTT, AMPPOWER WIRE SIZE: 600 MCM					
CHK MS FEHER 4/24/89						
APVD WJ VOCKROTH 11/8/89						
PRODUCT SPEC -						
APPLICATION SPEC -	NAME					
WEIGHT △	SIZE A3	CAGE CODE 00779	DRAWING NO C=324467	RESTRICTED TO -		
MATERIAL SEE TABLE	FINISH SEE TABLE	CUSTOMER DRAWING		SCALE 2:1	SHEET 1 OF 1	REV S

## X-ON Electronics

Largest Supplier of Electrical and Electronic Components

*Click to view similar products for [Terminals](#) category:*

*Click to view products by [TE Connectivity](#) manufacturer:*

Other Similar products are found below :

[00-054007-01074-6](#) [00-054007-70206-1](#) [00-054007-70210-8](#) [00-054007-70217-7](#) [00-054007-70226-9](#) [00-054007-70228-3](#) [00-054007-70248-1](#) [00-054007-70256-6](#) [00-054007-70301-3](#) [00-054007-70316-7](#) [00-054007-49560-4](#) [00-054007-70209-2](#) [00-054007-70225-2](#) [00-054007-70227-6](#) [00-054007-70231-3](#) [00-054007-70241-2](#) [00-054007-70242-9](#) [00-054007-70244-3](#) [00-054007-70246-7](#) [00-054007-70263-4](#) [00-054007-70288-7](#) [00-054007-70290-0](#) [00-054007-70300-6](#) [00-054007-70304-4](#) [01-2065-1-0216](#) [01-2900-1-04412](#) [00581P0075](#) [600TS-10](#) [60205-1](#) [604200-1](#) [605601-1](#) [60598-1-CUT-TAPE](#) [61314-6-C](#) [61810-3](#) [61-S](#) [61-SN](#) [626-0194](#) [62-NBM-A](#) [62-SN](#) [62-SP](#) [63-S](#) [640179-1](#) [M55155/059I03](#) [M55155/079C01](#) [M55155/099H02](#) [M55155/109H01](#) [M55155/109H02](#) [M55155/12XH05](#) [M55155/16XH02](#) [M55155/29-5S](#)