

4

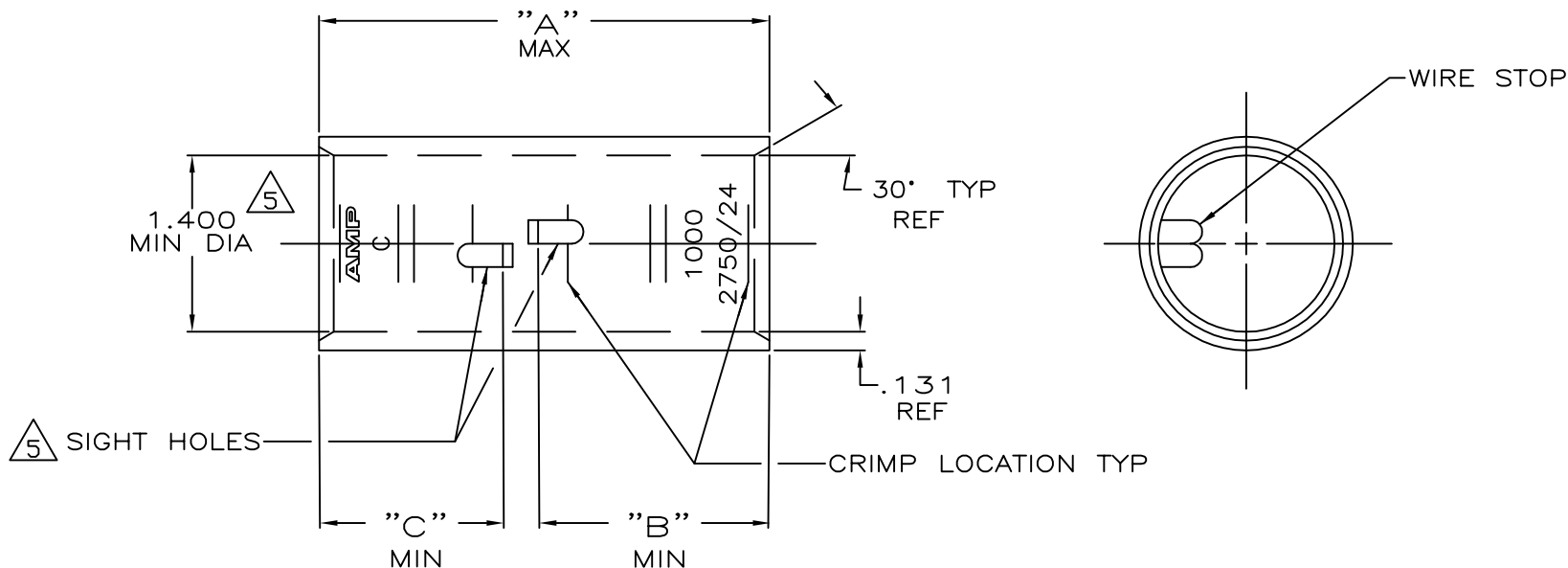
3

2

1

THIS DRAWING IS UNPUBLISHED. RELEASED FOR PUBLICATION - - -
 © COPYRIGHT - By - ALL RIGHTS RESERVED.

LOC	DIST	REVISIONS					
G	86	P	LTR	DESCRIPTION	DATE	DWN	APVD
		S		ECR-13-000998	11FEB2013	PK	HS



1 TIN PL .000150 MIN THK
MIL-T 10727

2 WIRE RANGE: 950 - 1125 MCM

3 PART NO: 324471; .665 LB.
PART NO: 1-324471-0; .665 LB.
PART NO: 2-324471-1; .743 LB.

4 PREPRODUCTION - FASR REQ.

5 .045 MAX BURR ALLOWED INSIDE THE WIRE
BARREL ID IN AREA OF SIGHT HOLE.

1.46	1.83	3.64	△	COPPER	△ 2-324471-1
1.46	1.46	3.27	CLEANED	ASTM-B-75	1-324471-0
			△	ANNEALED	324471
"C"	"B"	"A"	FINISH	MATERIAL	PART No

THIS DRAWING IS A CONTROLLED DOCUMENT.

DWN	DK SCHRUM	4/24/89
CHK	MS FEHER	4/24/89
APVD	WJ VOCKROTH	11/8/89
PRODUCT SPEC		
APPLICATION SPEC		
WEIGHT	△ 3	
CUSTOMER DRAWING	SCALE 1:1 SHEET 1 OF 1 REV S	

STE TE Connectivity

NAME: SPLICE, BUTT, AMPOWER
WIRE SIZE: 1000 MCM

SIZE: A3 CAGE CODE: 00779 DRAWING NO: C=324471 RESTRICTED TO: -

X-ON Electronics

Largest Supplier of Electrical and Electronic Components

Click to view similar products for [Terminals](#) category:

Click to view products by [TE Connectivity](#) manufacturer:

Other Similar products are found below :

[00-054007-01074-6](#) [00-054007-70206-1](#) [00-054007-70210-8](#) [00-054007-70217-7](#) [00-054007-70226-9](#) [00-054007-70228-3](#) [00-054007-70248-1](#) [00-054007-70256-6](#) [00-054007-70301-3](#) [00-054007-70316-7](#) [00-054007-49560-4](#) [00-054007-70209-2](#) [00-054007-70225-2](#) [00-054007-70227-6](#) [00-054007-70231-3](#) [00-054007-70241-2](#) [00-054007-70242-9](#) [00-054007-70244-3](#) [00-054007-70246-7](#) [00-054007-70263-4](#) [00-054007-70288-7](#) [00-054007-70290-0](#) [00-054007-70300-6](#) [00-054007-70304-4](#) [01-2065-1-0216](#) [01-2900-1-04412](#) [00581P0075](#) [600TS-10](#) [60205-1](#) [604200-1](#) [605601-1](#) [60598-1-CUT-TAPE](#) [61314-6-C](#) [61810-3](#) [61-S](#) [61-SN](#) [626-0194](#) [62-NBM-A](#) [62-SN](#) [62-SP](#) [63-S](#) [640179-1](#) [M55155/059I03](#) [M55155/079C01](#) [M55155/099H02](#) [M55155/109H01](#) [M55155/109H02](#) [M55155/12XH05](#) [M55155/16XH02](#) [M55155/29-5S](#)