

4

3

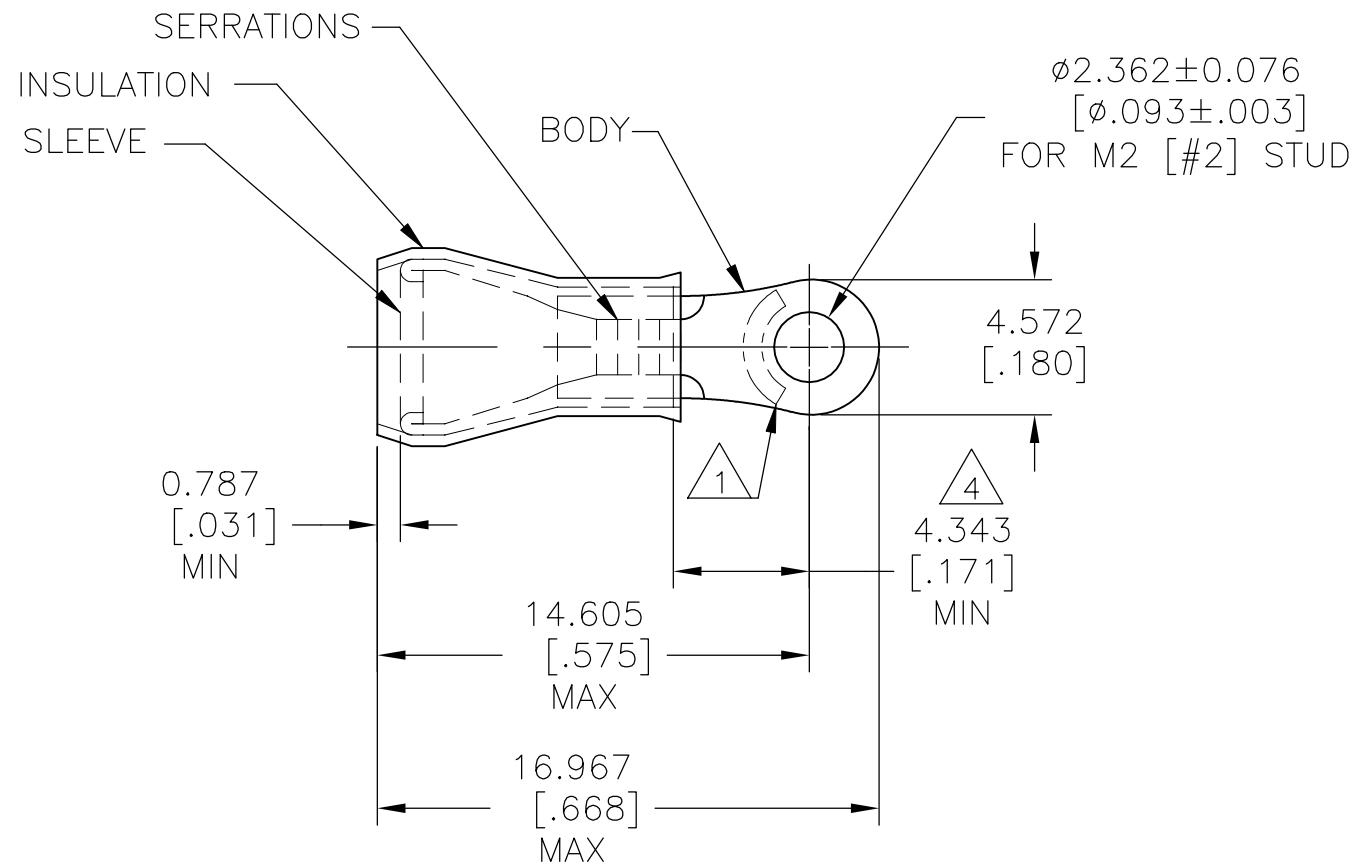
2

1

THIS DRAWING IS UNPUBLISHED. RELEASED FOR PUBLICATION  
 © COPYRIGHT - By - ALL RIGHTS RESERVED.

REVISIONS			TM		
P	LTR	DESCRIPTION	DATE	DWN	APVD
E1		REVISED PER ECO-16-008890	15JUN2016	NK	DR
E2		REVISED PER ECO-17-008114	01JUN2018	RS	DR

<b>AMP</b> WIRE RANGE	LISTED	LR7189 CERTIFIED
16-14 AWG SOLID OR STRANDED	16-14 AWG SOLID OR STRANDED	16-14 AWG SOLID OR STRANDED



- 1 STAMP AMP 16-14\*, 2½-4 APPROX AS SHOWN
- 2 WIRE INSULATION DIA: 2.921-4.318[.115-.170]
- 3 BODY MATERIAL THK: 0.787±0.051[.031±.002]
- 4 APPLIES FROM EDGE OF METAL WIRE BARREL TO THE CENTER OF THE STUD HOLE

1000	LOOSE PIECE	324993
QUANTITY	PACKAGE TYPE	PART NO

AMP INCORPORATED  
CUSTOMER SERVICE SYSTEMS

THIS DRAWING IS A CONTROLLED DOCUMENT.

DWN	DK SCHRUM	10/9/92
CHK	ML ELLIS	10/12/92
APVD	M BARNABA	10/12/92
PRODUCT SPEC	UL 486A	
APPLICATION SPEC	114-2157	
WEIGHT		

TE Connectivity Ltd.

NAME				TERMINAL, RING TONGUE, PIDG™ WIRE SIZE, 16-14 AWG			
SIZE	CAGE CODE	DRAWING NO	RESTRICTED TO				
A3	00779	C-324993	-				
CUSTOMER DRAWING				SCALE	SHEET	REV	
				4:1	1 OF 1	E2	

FOR ADDITIONAL PRODUCT INFORMATION OR COPIES OF DRAWINGS AND TECHNICAL DOCUMENTS	PRODUCT INFORMATION CENTER 1-800-522-6752	MAX RECOMMENDED OPERATING TEMPERATURE: 105° C [221°F] MAX
FOR APPLICATION TOOLING INFORMATION	CUSTOMER SERVICE HOTLINE 1-800-722-1111	VOLTAGE RATING: 300 V MAX
FOR ORDER ENTRY	1-800-526-5142	CIRCULAR MIL AREA: 1.04-2.62mm <sup>2</sup> [2,050-5,180] SOLID OR STRANDED

DIMENSIONS: mm [INCHES]	TOLERANCES UNLESS OTHERWISE SPECIFIED:
	0 PLC ± - 1 PLC ± - 2 PLC ± - 3 PLC ± 0.127[.005] 4 PLC ± - ANGLES ± -
MATERIAL	FINISH
COPPER ASTM B-152 SLEEVE, BLUE NYLON	TIN PLATE PER ASTM B545

## X-ON Electronics

Largest Supplier of Electrical and Electronic Components

*Click to view similar products for [Terminals](#) category:*

*Click to view products by [TE Connectivity](#) manufacturer:*

Other Similar products are found below :

[00-054007-01074-6](#) [00-054007-70206-1](#) [00-054007-70210-8](#) [00-054007-70217-7](#) [00-054007-70226-9](#) [00-054007-70228-3](#) [00-054007-70248-1](#) [00-054007-70256-6](#) [00-054007-70301-3](#) [00-054007-70316-7](#) [0-0320562-0](#) [00-054007-49560-4](#) [00-054007-70209-2](#) [00-054007-70225-2](#) [00-054007-70227-6](#) [00-054007-70231-3](#) [00-054007-70241-2](#) [00-054007-70242-9](#) [00-054007-70244-3](#) [00-054007-70246-7](#) [00-054007-70263-4](#) [00-054007-70288-7](#) [00-054007-70290-0](#) [00-054007-70300-6](#) [00-054007-70304-4](#) [01-2065-1-0216](#) [01-2900-1-04412](#) [00581P0075](#) [600TS-10](#) [60205-1](#) [604200-1](#) [605601-1](#) [60598-1-CUT-TAPE](#) [61314-6-C](#) [61810-3](#) [61-S](#) [61-SN](#) [626-0194](#) [62-NBM-A](#) [62-SN](#) [62-SP](#) [63-S](#) [640179-1](#) [M55155/059I03](#) [M55155/079C01](#) [M55155/099H02](#) [M55155/109H01](#) [M55155/109H02](#) [M55155/12XH05](#) [M55155/16XH02](#)