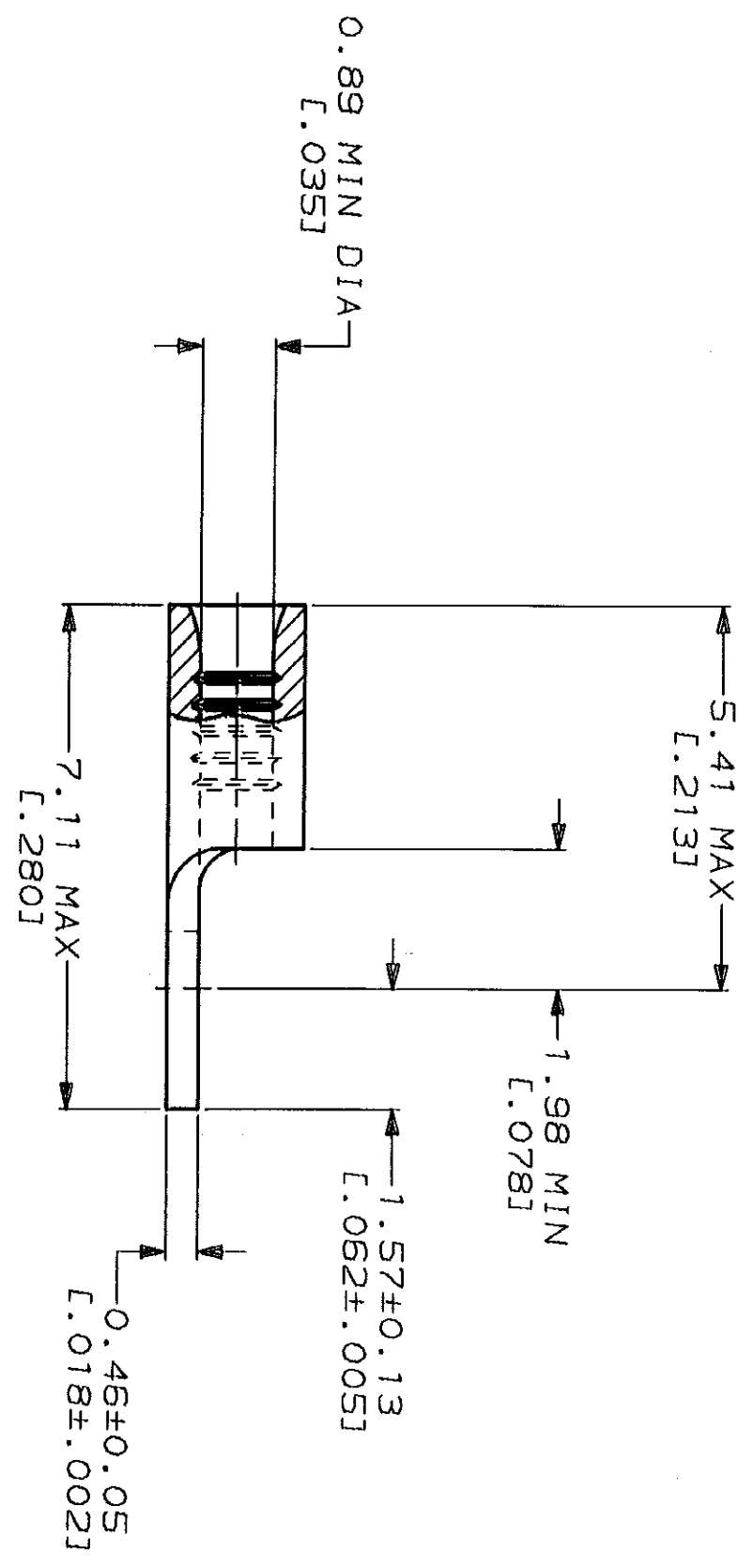
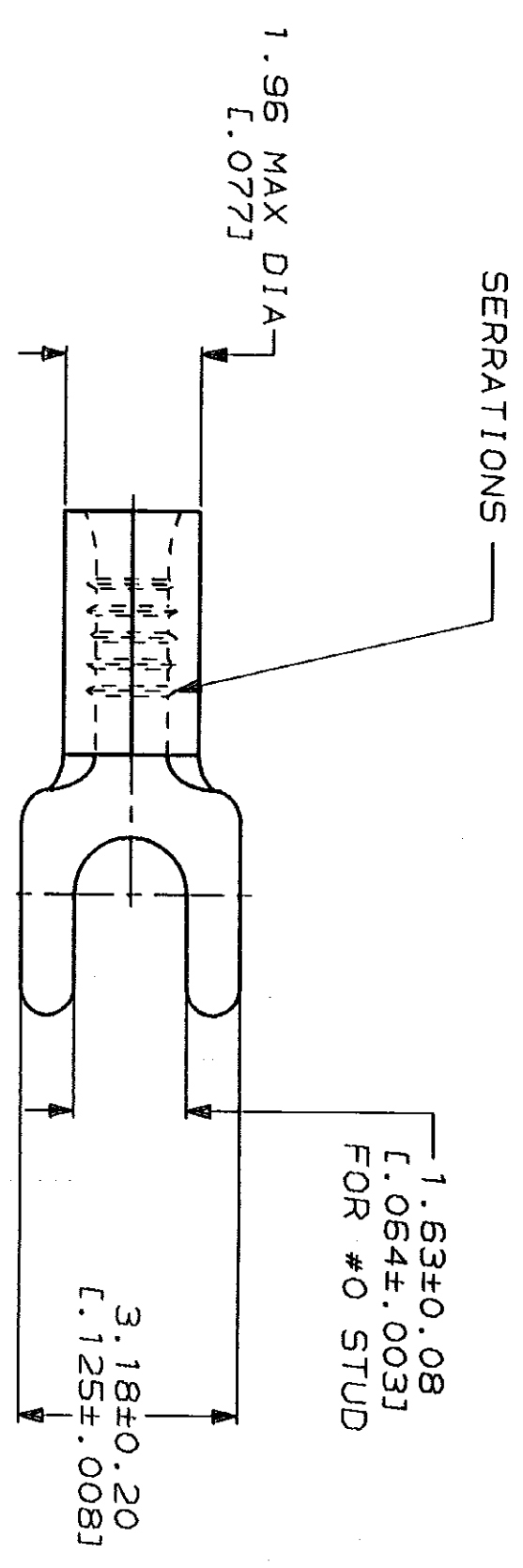


LOC	DIST	ZONE	LTR	DESCRIPTION	DATE	APPD
G	14			RELEASED PER 0720-0008-93	2-16-93	JL DAP

REVISIONS	
NO	DESCRIPTION
0	RELEASED PER 0720-0008-93

**METRIE**  
 DIMENSIONS LISTED IN mm [ INCHES ]

<b>AMP</b> WIRE RANGE	<b>IL</b> E13288 Listed
26-22 AWG STRANDED	NOT LISTED
<b>LR2189</b> Certified	MILITARY P/N AND CLASS
NOT CERTIFIED	NOT APPLICABLE



**AMP INCORPORATED  
 CUSTOMER SERVICE SYSTEMS**

FOR ADDITIONAL PRODUCT INFORMATION OR COPIES OF DRAWINGS AND TECHNICAL DOCUMENTS	PRODUCT INFORMATION CENTER 1-800-522-6752
FOR APPLICATION TOOLING INFORMATION	TOOLING ASSISTANCE CENTER 1-800-722-1111
FOR ORDER ENTRY	1-800-526-5142

MAX RECOMMENDED OPERATING  
TEMPERATURE:  
170°C MAX

VOLTAGE RATING:  
NOT APPLICABLE

WIRE CROSS SECTIONAL AREA RANGE:  
0.1-0.41mm² [202-810] CIR MILS  
STRANDED

THIS DRAWING IS A CONTROLLED DOCUMENT FOR AMP INCORPORATED. IT IS SUBJECT TO CHANGE AND THE CONTROLLING ENGINEERING ORGANIZATION SHOULD BE CONTACTED FOR THE LATEST REVISION.

DO NOT SCALE PRINT.  
UNLESS SPECIFIED  
DIMENSIONS IN mm [INCHES]  
TOLERANCES ON:  
2 PLC DEC ±  
3 PLC DEC ±  
ANGLES  
MATERIAL  
COPPER PER  
ASTM B-152  
ANNEALED

DR 2-16-93 TA BRINKMAN	NAME
CHK 2-16-93 DA PATTERSON	AMP Incorporated Harrisburg, PA 17105-3608
APPD 2-16-93 DE MILLER	TERMINAL, SPADE TONGUE, BUDGET
APPD 2-16-93 JL MECKLEY	SIZE
PRODUCT SPEC	CAGE CODE
APPLICATION SPEC	DRAWING NO
WEIGHT	SCALE

FINISH TIN PLATE	0.00254 [L.000100] MIN THK PER MIL-T-10727
SCALE	10:1
SHEET	1 OF 1

PART NO  
32501

## X-ON Electronics

Largest Supplier of Electrical and Electronic Components

*Click to view similar products for [Terminals](#) category:*

*Click to view products by [TE Connectivity](#) manufacturer:*

Other Similar products are found below :

[00-054007-01074-6](#) [00-054007-70206-1](#) [00-054007-70210-8](#) [00-054007-70217-7](#) [00-054007-70226-9](#) [00-054007-70228-3](#) [00-054007-70248-1](#) [00-054007-70256-6](#) [00-054007-70301-3](#) [00-054007-70316-7](#) [00-054007-49560-4](#) [00-054007-70209-2](#) [00-054007-70225-2](#) [00-054007-70227-6](#) [00-054007-70231-3](#) [00-054007-70241-2](#) [00-054007-70242-9](#) [00-054007-70244-3](#) [00-054007-70246-7](#) [00-054007-70263-4](#) [00-054007-70288-7](#) [00-054007-70290-0](#) [00-054007-70300-6](#) [00-054007-70304-4](#) [01-2065-1-0216](#) [01-2900-1-04412](#) [00581P0075](#) [600TS-10](#) [60205-1](#) [604200-1](#) [605601-1](#) [60598-1-CUT-TAPE](#) [61314-6-C](#) [61810-3](#) [61-S](#) [61-SN](#) [626-0194](#) [62-NBM-A](#) [62-SN](#) [62-SP](#) [63-S](#) [640179-1](#) [M55155/059I03](#) [M55155/079C01](#) [M55155/099H02](#) [M55155/109H01](#) [M55155/109H02](#) [M55155/12XH05](#) [M55155/16XH02](#) [M55155/29-5S](#)