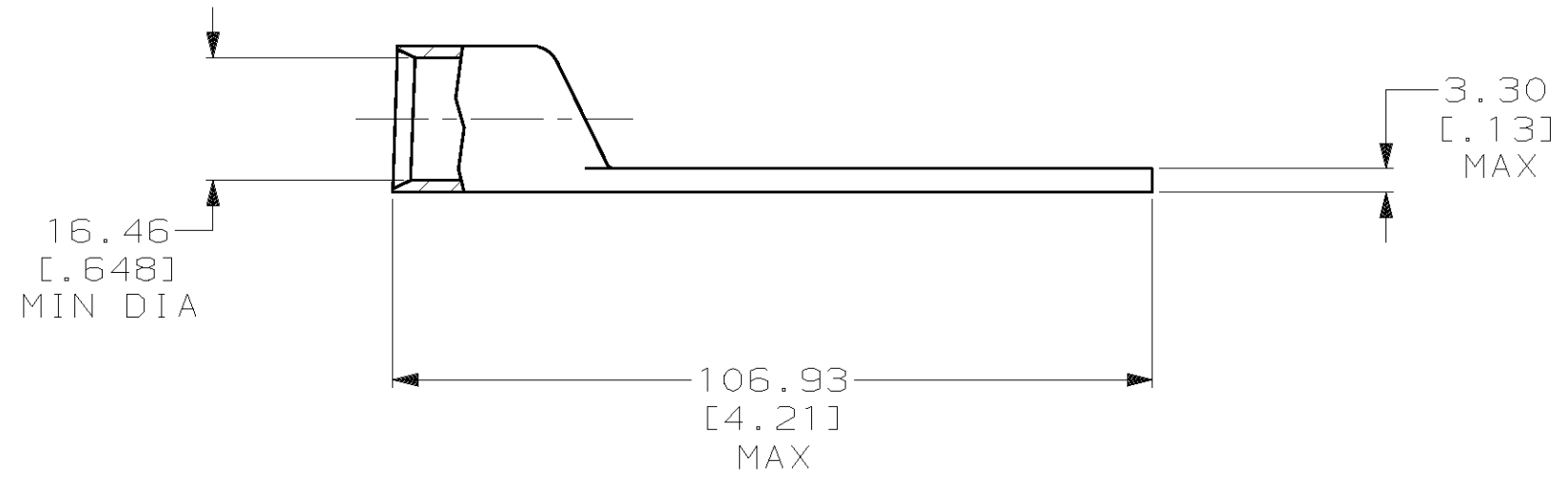
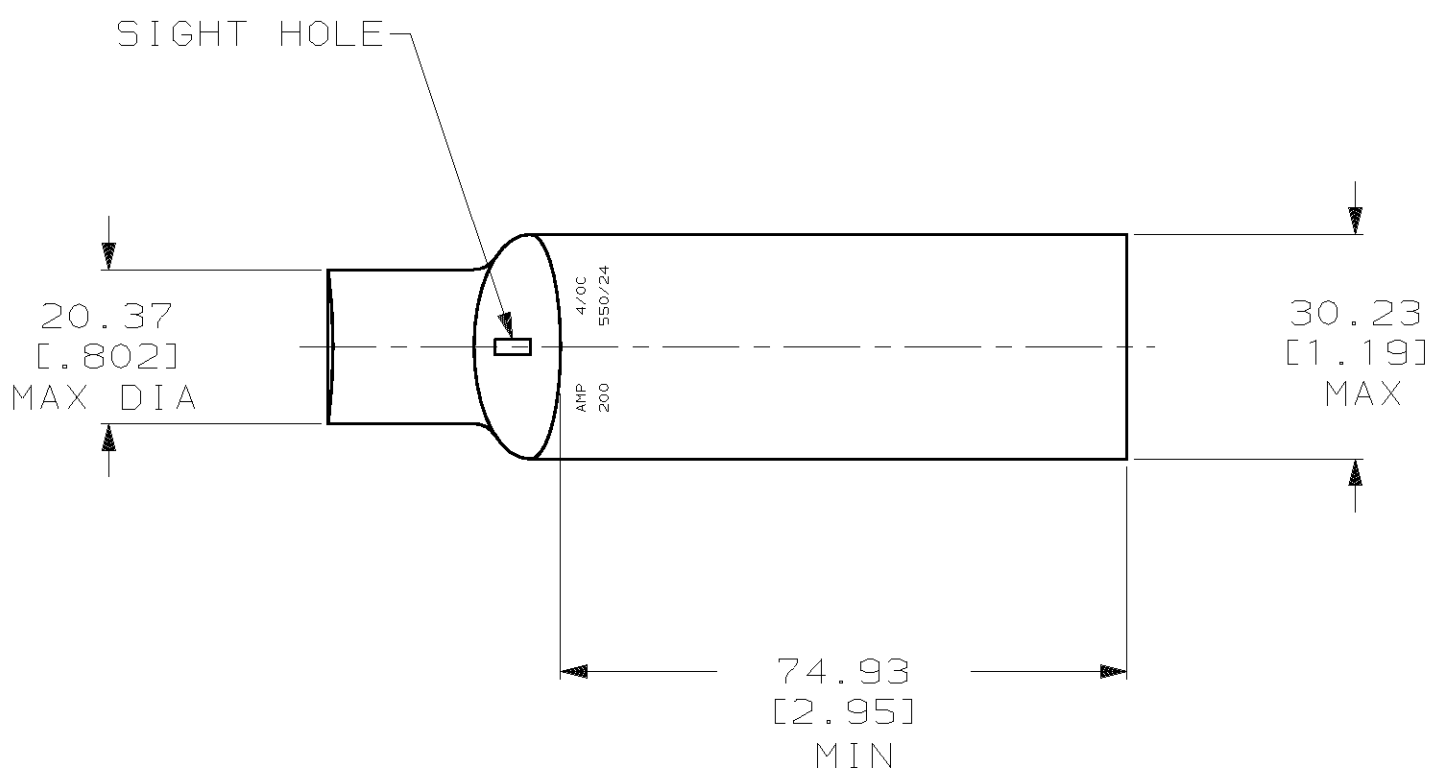


THIS DRAWING IS UNPUBLISHED. RELEASED FOR PUBLICATION, 19 .
 © COPYRIGHT 19 BY AMP INCORPORATED. ALL INTERNATIONAL RIGHTS RESERVED.

| LOC | | DIST | | REVISIONS | | | | DATE | APPD |
|------|-----|-------------|------|-----------|----------------------|---------|----|------|------|
| ZONE | LTR | DESCRIPTION | DATE | APPD | | | | | |
| G | 86 | P | F | P | REV PER 0G3A-0561-01 | 08OCT02 | JR | MS | |

1 CIRCULAR MIL RANGE: 190,000-231,000 CM



325610

325610
PART NO

| | | | | | |
|---|--|----------------------------|--|--------------------|------------------------|
| DO NOT SCALE PRINT. UNLESS SPECIFIED DIMENSIONS IN mm [INCHES] TOLERANCES ON : 2 PLC DEC ± - 3 PLC DEC ± - ANGLES ± - | | DR 02/28/90 DK SCHRUM | AMP Incorporated Harrisburg, PA 17105-3608 | | |
| MATERIAL COPPER PER ASTM B-75 ANNEALED | | CHK 8/10/92 AJ KAUFMAN | | | |
| FINISH TIN PLATE 0.00381 [.000150] MIN THK PER MIL-T-10727 | | APPD 8/10/92 RE ROSER | NAME TERMINAL, AMPOWER, WIRE SIZE: 4/0 AWG | | |
| THIS DRAWING IS A CONTROLLED DOCUMENT FOR AMP INCORPORATED. IT IS SUBJECT TO CHANGE AND THE CONTROLLING ENGINEERING ORGANIZATION SHOULD BE CONTACTED FOR THE LATEST REVISION. | | APPD 8/10/92 JL MECKLEY | SIZE C | CAGE CODE 00779 | DRAWING NO C=325610 |
| | | PRODUCT SPEC - | SCALE 1:1 | SHEET 1 OF 1 | |
| | | APPLICATION SPEC - | CUSTOMER DRAWING | | |
| | | WEIGHT .184 LBS | | | |

X-ON Electronics

Largest Supplier of Electrical and Electronic Components

Click to view similar products for [Heavy Duty Power Connectors](#) category:

Click to view products by [TE Connectivity](#) manufacturer:

Other Similar products are found below :

[647757-1](#) [6643411-1](#) [6646058-2](#) [6646137-1](#) [6646138-1](#) [6646479-1](#) [6646608-1](#) [6646786-1](#) [6646940-1](#) [6651091-1](#) [6651525-1](#) [6651529-1](#)
[6651788-1](#) [696475-1](#) [702-32-01109](#) [703-25-02205](#) [73000005059](#) [73000005642](#) [73080255059](#) [73080965046](#) [765-15-0080A](#) [765-16-0080B](#)
[765-18-0080D](#) [829992-1](#) [902-77-02113](#) [PS00/A0620/6300](#) [PS25/A0420/63](#) [129-1J](#) [1409400](#) [AN0024023](#) [E6374G1](#) [e6389g2](#) [157-43GW8](#)
[MS3117-14AC](#) [1643543-1](#) [1650540-1](#) [1651811-2](#) [1766260-1](#) [1766282-1](#) [1766966-1](#) [1791340000](#) [NLDFT-3-BL-L-S120-M40A](#) [NLDFT-N-](#)
[W-L-C240-M40B](#) [NLS-2-R-C240-M40B](#) [NLS-N-W-C240-M40B](#) [NPS-3-BL-T6](#) [1986615-1](#) [2-1589900-8](#) [2199314-1](#) [KA8102](#)