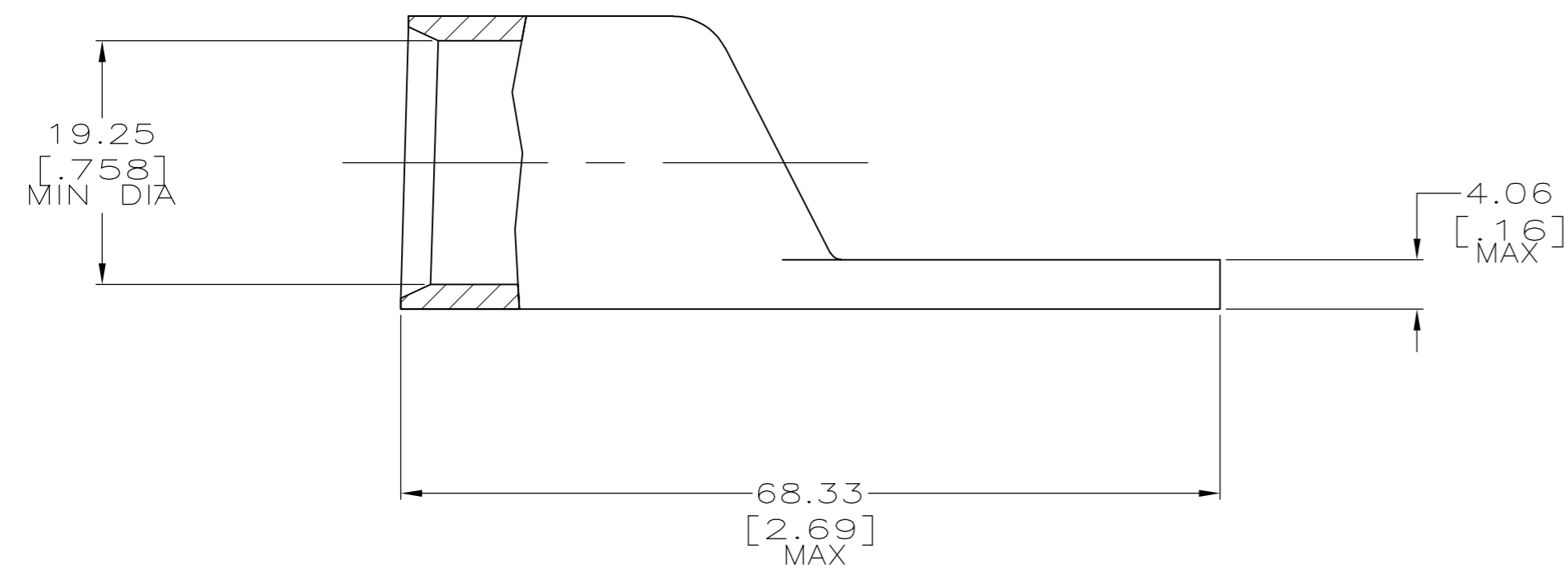
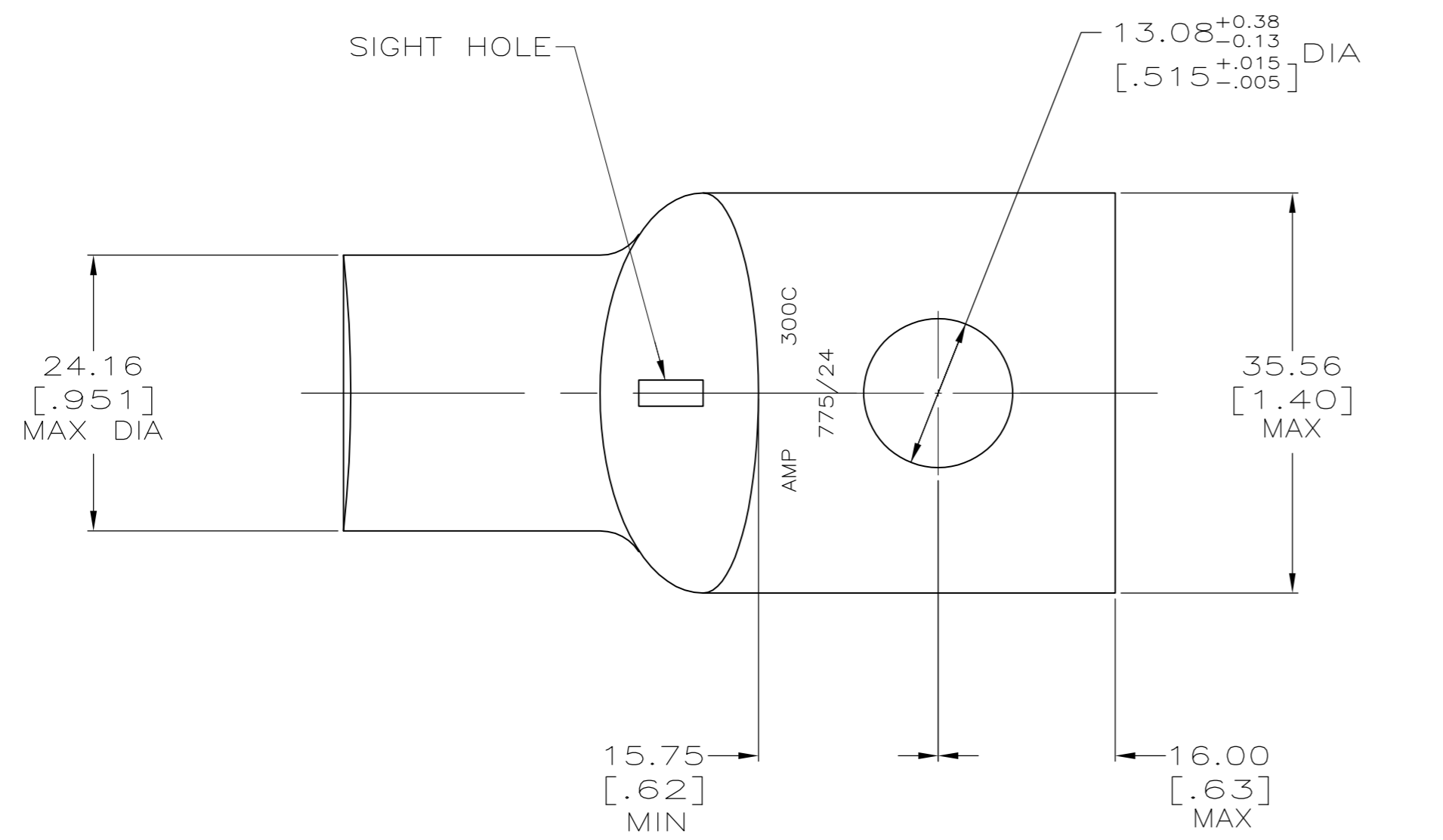


THIS DRAWING IS UNPUBLISHED. RELEASED FOR PUBLICATION
 © COPYRIGHT BY TYCO ELECTRONICS CORPORATION. ALL INTERNATIONAL RIGHTS RESERVED.

LOC	DIST	REVISIONS					
		P	LTR	DESCRIPTION	DATE	DWN	APVD
G	86	Z		REV PER ECR 05-012008	09JUN08	JR	MS



- 1 CIRCULAR MIL AREA RANGE: 275-325 MCM
- 2 TIN PL 0.00381[.000150] MIN THK PER ASTM B-545
- 3 NO SIGHT HOLE
- 4 STAMP FOR MANUFACTURING LOCATION PERMISSIBLE.

3 4 325805-1
 325805
 PART NO.

THIS DRAWING IS A CONTROLLED DOCUMENT.		DWN DK SCHRUM 02/28/90	Tyco Electronics Corporation Harrisburg, PA 17105-3608	
DIMENSIONS: MM [INCHES]		CHK MS FEHER 23JAN95	NAME TL SHUTTER	
TOLERANCES UNLESS OTHERWISE SPECIFIED:		APVD TL SHUTTER 23JAN95	PRODUCT SPEC 108-30200	
0 PLC ± -		APPLICATION SPEC		
1 PLC ± -		-		
2 PLC ± 0.51[.020]		WEIGHT .154 LB		
3 PLC ± -		A2 00779 C=325805		
4 PLC ± -		SCALE 2:1 SHEET 1 of 1 REV Z		
ANGLES ± -		CUSTOMER DRAWING		
FINISH		RESTRICTED TO		
ANNEALED COPPER PER ASTM B-75		-		
FINISH		-		

325805

A

X-ON Electronics

Largest Supplier of Electrical and Electronic Components

Click to view similar products for [Terminals](#) category:

Click to view products by [TE Connectivity](#) manufacturer:

Other Similar products are found below :

[00-054007-01074-6](#) [00-054007-70206-1](#) [00-054007-70210-8](#) [00-054007-70217-7](#) [00-054007-70226-9](#) [00-054007-70228-3](#) [00-054007-70248-1](#) [00-054007-70256-6](#) [00-054007-70301-3](#) [00-054007-70316-7](#) [00-054007-49560-4](#) [00-054007-70209-2](#) [00-054007-70225-2](#) [00-054007-70227-6](#) [00-054007-70231-3](#) [00-054007-70241-2](#) [00-054007-70242-9](#) [00-054007-70244-3](#) [00-054007-70246-7](#) [00-054007-70263-4](#) [00-054007-70288-7](#) [00-054007-70290-0](#) [00-054007-70300-6](#) [00-054007-70304-4](#) [01-2065-1-0216](#) [01-2900-1-04412](#) [00581P0075](#) [600TS-10](#) [60205-1](#) [604200-1](#) [605601-1](#) [60598-1-CUT-TAPE](#) [61314-6-C](#) [61810-3](#) [61-S](#) [61-SN](#) [626-0194](#) [62-NBM-A](#) [62-SN](#) [62-SP](#) [63-S](#) [640179-1](#) [M55155/059I03](#) [M55155/079C01](#) [M55155/099H02](#) [M55155/109H01](#) [M55155/109H02](#) [M55155/12XH05](#) [M55155/16XH02](#) [M55155/29-5S](#)