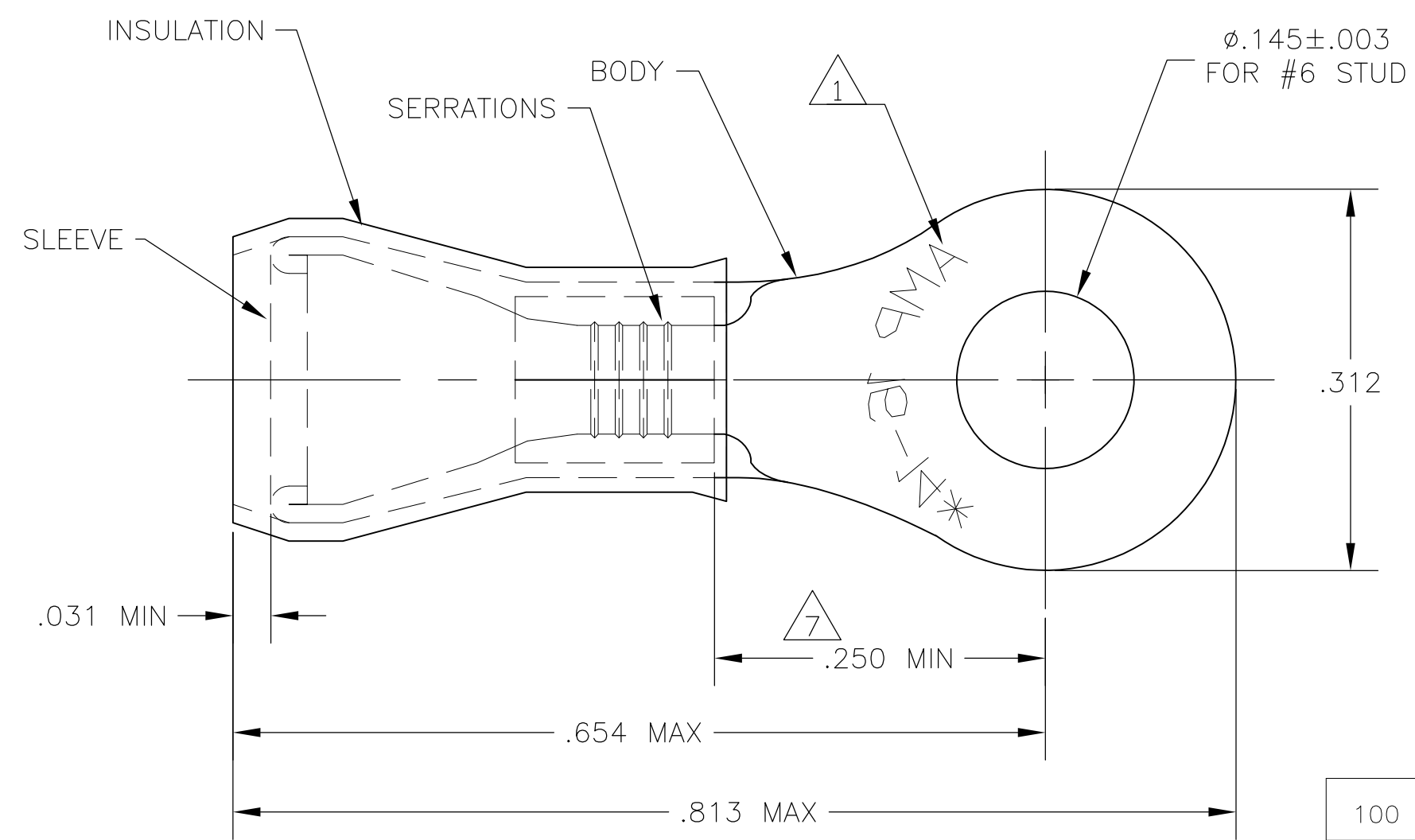


THIS DRAWING IS UNPUBLISHED. RELEASED FOR PUBLICATION
 © COPYRIGHT - By - ALL RIGHTS RESERVED.

| LOC | DIST | REVISIONS | | | |
|-----|------|---------------------------|---------|-----|------|
| P | LTR | DESCRIPTION | DATE | DWN | APVD |
| G | 14 | | | | |
| | K2 | REVISED PER ECO-11-004917 | 11MAR11 | RK | HMR |

| | | |
|--------------------------------|--------------------------------|--------------------------------|
| AMP WIRE RANGE | Listed | LR7189 Certified |
| 16-14 AWG SOLID OR STRANDED | 16-14 AWG SOLID OR STRANDED | 16-14 AWG SOLID OR STRANDED |



- 1 STAMP AMP 16-14*, APPROX AS SHOWN.
- 2 TONGUE THICKNESS IS $.031 \pm .002$
- 3 FOR $.115-.170$ WIRE INSULATION DIA
- 4 MAX RECOMMENDED OPERATING TEMP IS 105°C .
- 5 300 VOLT MAX RATING.
- 6 WIRE CROSS SECTIONAL AREA RANGE $1.04-2.62\text{mm}$ [2,050-5,180 CIR MILS]
- 7 APPLIES FROM EDGE OF METAL WIRE BBL TO CENTER OF STUD HOLE.
- 8 RESTRICTED PART: AMP GREAT BRITIAN LTD, USE ONLY.

| QTY | PACKAGING | MATERIAL / FINISH | PART NO |
|------|------------------|---|---------------------|
| 100 | LOOSE PIECE, BOX | BODY & SLEEVE: COPPER PER ASTM B152 TIN PL. PER ASTM B-545 INSULATION: NYLON, TYPE I, PER ASTM D4066 COLOR: BLUE | 8-326882-1 |
| 5000 | ON TAPE, REEL | | 2-326882-1 |
| --- | --- | | 326882-1 |
| 1000 | LOOSE PIECE | | 326882 |

OBSOLETE

| | | | | | |
|--|--|---------------------------------|-------------------|-----------|------------|
| THIS DRAWING IS A CONTROLLED DOCUMENT. | | DWN jr_ruth 02MAR10 | TE Connectivity | | |
| DIMENSIONS: INCHES | | CHK T MICHELUTTI 02MAR10 | | | |
| TOLERANCES UNLESS OTHERWISE SPECIFIED: | | APVD T MICHELUTTI 02MAR10 | NAME | | |
| 0 PLC ± - | | PRODUCT SPEC | WIRE TERMINAL | | |
| 1 PLC ± - | | UL486B | PIDG, RING TONGUE | | |
| 2 PLC ± - | | APPLICATION SPEC | WIRE SIZE: 16-14 | | |
| 3 PLC ± .008 | | 114-2157 | SIZE | CAGE CODE | DRAWING NO |
| 4 PLC ± - | | WEIGHT - | A3 | 00779 | C-326882 |
| ANGLES ± 1° | | CUSTOMER DRAWING | SCALE | SHEET | REV |
| MATERIAL SEE TABLE | | | 8:1 | 1 OF 1 | K2 |
| FINISH SEE TABLE | | | | | |

X-ON Electronics

Largest Supplier of Electrical and Electronic Components

Click to view similar products for [Terminals](#) category:

Click to view products by [TE Connectivity](#) manufacturer:

Other Similar products are found below :

[00-054007-01074-6](#) [00-054007-70206-1](#) [00-054007-70210-8](#) [00-054007-70217-7](#) [00-054007-70226-9](#) [00-054007-70228-3](#) [00-054007-70248-1](#) [00-054007-70256-6](#) [00-054007-70301-3](#) [00-054007-70316-7](#) [0-0320562-0](#) [00-054007-49560-4](#) [00-054007-70209-2](#) [00-054007-70225-2](#) [00-054007-70227-6](#) [00-054007-70231-3](#) [00-054007-70241-2](#) [00-054007-70242-9](#) [00-054007-70244-3](#) [00-054007-70246-7](#) [00-054007-70263-4](#) [00-054007-70288-7](#) [00-054007-70290-0](#) [00-054007-70300-6](#) [00-054007-70304-4](#) [01-2065-1-0216](#) [01-2900-1-04412](#) [00581P0075](#) [600TS-10](#) [60205-1](#) [604200-1](#) [605601-1](#) [60598-1-CUT-TAPE](#) [61314-6-C](#) [61810-3](#) [61-S](#) [61-SN](#) [626-0194](#) [62-NBM-A](#) [62-SN](#) [62-SP](#) [63-S](#) [640179-1](#) [M55155/059I03](#) [M55155/079C01](#) [M55155/099H02](#) [M55155/109H01](#) [M55155/109H02](#) [M55155/12XH05](#) [M55155/16XH02](#)