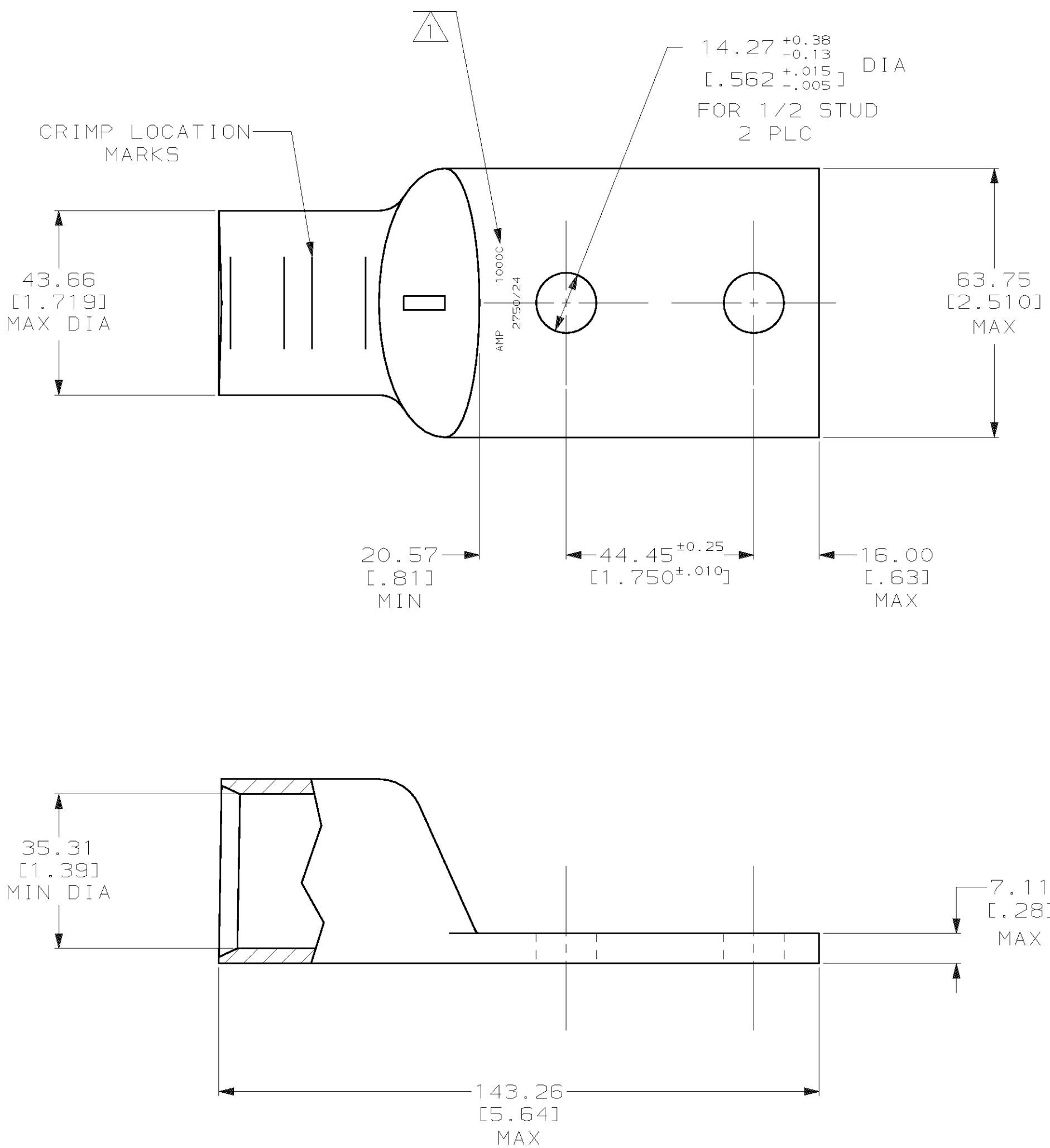


THIS DRAWING IS UNPUBLISHED. RELEASED FOR PUBLICATION, 19 .  
 © COPYRIGHT 19 BY AMP INCORPORATED. ALL INTERNATIONAL RIGHTS RESERVED.

LOC	DIST	P	F	ZONE	LTR	DESCRIPTION	DATE	APPD
G	86				B	REV PER 063A-0561-01	09OCT02	JR TM

**METRIC**  
 DIMENSIONS LISTED IN mm [ INCHES ]

△ STAMP AMP 1000C 2750/24 APPROX AS SHOWN



AMP WIRE RANGE	UL Listed	LR7189 Certified	MILITARY P/N AND CLASS
525.7mm <sup>2</sup> [1000] MCM STRANDED	525.7mm <sup>2</sup> [1000] MCM STRANDED	525.7mm <sup>2</sup> [1000] MCM STRANDED	NOT APPLICABLE

AMP INCORPORATED CUSTOMER SERVICE SYSTEMS		MAX RECOMMENDED OPERATING TEMPERATURE: 170°C MAX	DO NOT SCALE PRINT. UNLESS SPECIFIED DIMENSIONS IN mm [INCHES] TOLERANCES ON: 2 PLC DEC ± 0.20 [.008] 3 PLC DEC ± - ANGLES ± -	DR 10/19/90 DK SCHRUM CHK 8/17/92 AJ KAUFMAN APPD 8/17/92 WJ VOCKROTH APPD 8/17/92 CR RHOADS PRODUCT SPEC 108-30200 APPLICATION SPEC - WEIGHT 1.11 lbs.	327294-3 327294 FINISH PART NO
FOR ADDITIONAL PRODUCT INFORMATION OR COPIES OF DRAWINGS AND TECHNICAL DOCUMENTS	PRODUCT INFORMATION CENTER 1-800-522-6752	VOLTAGE RATING: -	MATERIAL COPPER ASTM B-75 ANNEALED	AMP Incorporated Harrisburg, PA 17105-3608	NAME TERMINAL, RECTANGULAR TONGUE, AMPOWER™
FOR APPLICATION TOOLING INFORMATION	CUSTOMER SERVICE HOTLINE 1-800-722-1111	CIRCULAR MIL AREA: 950 - 1125 MCM STRANDED	FINISH SEE TABLE	SIZE C 00779	
FOR ORDER ENTRY	1-800-526-5142	THIS DRAWING IS A CONTROLLED DOCUMENT FOR AMP INCORPORATED. IT IS SUBJECT TO CHANGE AND THE CONTROLLING ENGINEERING ORGANIZATION SHOULD BE CONTACTED FOR THE LATEST REVISION.		DRAWING NO C-327294	DRAWING NO C-327294
				SCALE 1:1	SHEET 1 OF 1

## X-ON Electronics

Largest Supplier of Electrical and Electronic Components

*Click to view similar products for [Terminals](#) category:*

*Click to view products by [TE Connectivity](#) manufacturer:*

Other Similar products are found below :

[00-054007-01074-6](#) [00-054007-70206-1](#) [00-054007-70210-8](#) [00-054007-70217-7](#) [00-054007-70226-9](#) [00-054007-70228-3](#) [00-054007-70248-1](#) [00-054007-70256-6](#) [00-054007-70301-3](#) [00-054007-70316-7](#) [0-0320562-0](#) [00-054007-49560-4](#) [00-054007-70209-2](#) [00-054007-70225-2](#) [00-054007-70227-6](#) [00-054007-70231-3](#) [00-054007-70241-2](#) [00-054007-70242-9](#) [00-054007-70244-3](#) [00-054007-70246-7](#) [00-054007-70263-4](#) [00-054007-70288-7](#) [00-054007-70290-0](#) [00-054007-70300-6](#) [00-054007-70304-4](#) [01-2065-1-0216](#) [01-2900-1-04412](#) [00581P0075](#) [600TS-10](#) [60205-1](#) [604200-1](#) [605601-1](#) [60598-1-CUT-TAPE](#) [61314-6-C](#) [61810-3](#) [61-S](#) [61-SN](#) [626-0194](#) [62-NBM-A](#) [62-SN](#) [62-SP](#) [63-S](#) [640179-1](#) [M55155/059I03](#) [M55155/079C01](#) [M55155/099H02](#) [M55155/109H01](#) [M55155/109H02](#) [M55155/12XH05](#) [M55155/16XH02](#)