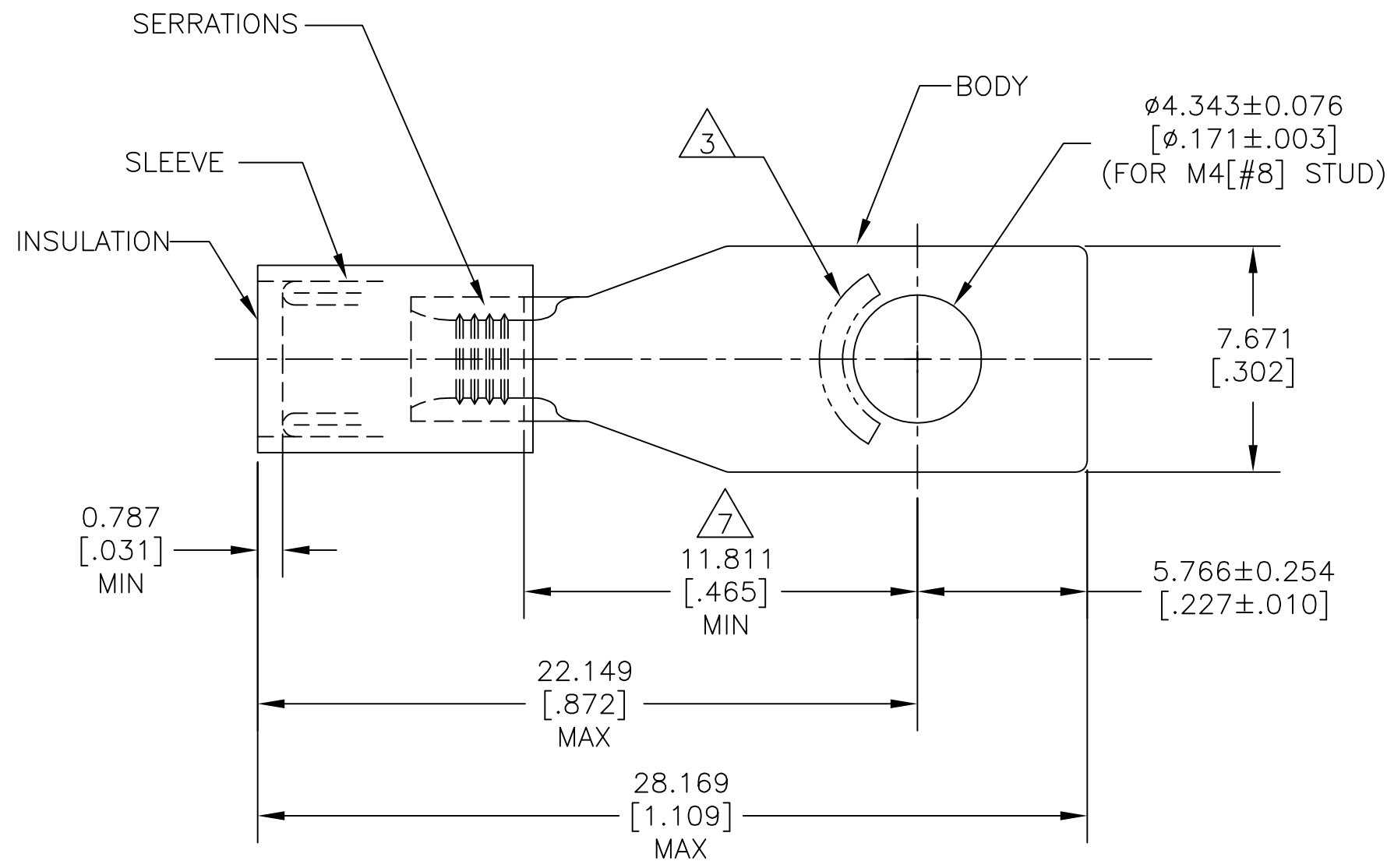


REVISIONS					
P	LTR	DESCRIPTION	DATE	DWN	APVD
	K3	REVISED PER ECR-09-026553	04DEC09	JR	TM
	K4	REVISED PER ECO-17-007400	29NOV2017	RS	DR



AMP WIRE RANGE	E13288 Listed	LR7189 Certified
22-16 AWG SOLID OR STRANDED	22-16 AWG SOLID OR STRANDED	22-16 AWG SOLID OR STRANDED

- 1 NOTE DELETED.
- 2 BODY MATERIAL THK=0.787±0.051[.031±.002]
- 3 STAMP AMP 22-18* APPROX AS SHOWN. 22-16 TERMINALS ARE STAMPED 22-18 IN ACCORDANCE WITH MILITARY SPEC SAE AS 7928. COMMERCIAL WIRE RANGE IS 22-16.
- 4 MEETS MS17143-7, CLASS 1 & 2.
- 5 NOTE DELETED.
- 6 FOR $\phi 2.667[\phi .105]$ TO $\phi 3.556[\phi .140]$ WIRE INS.
- 7 APPLIES FROM EDGE OF METAL WIRE BARREL TO CENTER OF STUD HOLE.
- 8 MATERIAL:
BODY & SLEEVE: COPPER ASTM B-152
INSULATION: NYLON.
- 9 FINISH:
BODY & SLEEVE: TIN PLATED ASTM B-545
INSULATION: COLOR-RED.

1000	LOOSE PIECE	327944	
QTY	PACKAGE TYPE	PART NO	

AMP INCORPORATED CUSTOMER SERVICE SYSTEMS		MAX RECOMMENDED OPERATING TEMPERATURE: 105°C[221°F] MAX
FOR ADDITIONAL PRODUCT INFORMATION OR COPIES OF DRAWINGS AND TECHNICAL DOCUMENTS	PRODUCT INFORMATION CENTER 1-800-522-6752	
FOR APPLICATION TOOLING INFORMATION	TOOLING ASSISTANCE CENTER 1-800-722-1111	VOLTAGE RATING: 300 V MAX
FOR ORDER ENTRY	1-800-526-5142	WIRE CROSS SECTIONAL AREA RANGE, 0.26-1.65mm²[509-3,260] SOLID OR STRANDED

THIS DRAWING IS A CONTROLLED DOCUMENT.	
DIMENSIONS: mm [INCHES]	TOLERANCES UNLESS OTHERWISE SPECIFIED:
	0 PLC ± - 1 PLC ± - 2 PLC ± - 3 PLC ± 0.127[.005] 4 PLC ± - ANGLES ± 5°
MATERIAL	FINISH

DWN RAGHAVENDRA HM 09JUN08	TE Connectivity	
CHK T MICHIELUTTI 09JUN08	NAME WIRE TERMINAL, PIDG, RECTANGULAR TONGUE WIRE SIZE : 22-16 AWG	
APVD T MICHIELUTTI 09JUN08	PRODUCT SPEC UL 486 A-B	APPLICATION SPEC 114-2157
SIZE A3	CAGE CODE 00779	DRAWING NO C=327944
RESTRICTED TO -	SCALE 5:1	SHEET 1 OF 1
CUSTOMER DRAWING	REV K4	

X-ON Electronics

Largest Supplier of Electrical and Electronic Components

Click to view similar products for [Terminals](#) category:

Click to view products by [TE Connectivity](#) manufacturer:

Other Similar products are found below :

[00-054007-01074-6](#) [00-054007-70206-1](#) [00-054007-70210-8](#) [00-054007-70217-7](#) [00-054007-70226-9](#) [00-054007-70228-3](#) [00-054007-70248-1](#) [00-054007-70256-6](#) [00-054007-70301-3](#) [00-054007-70316-7](#) [0-0320562-0](#) [00-054007-49560-4](#) [00-054007-70209-2](#) [00-054007-70225-2](#) [00-054007-70227-6](#) [00-054007-70231-3](#) [00-054007-70241-2](#) [00-054007-70242-9](#) [00-054007-70244-3](#) [00-054007-70246-7](#) [00-054007-70263-4](#) [00-054007-70288-7](#) [00-054007-70290-0](#) [00-054007-70300-6](#) [00-054007-70304-4](#) [01-2065-1-0216](#) [01-2900-1-04412](#) [00581P0075](#) [600TS-10](#) [60205-1](#) [604200-1](#) [605601-1](#) [60598-1-CUT-TAPE](#) [61314-6-C](#) [61810-3](#) [61-S](#) [61-SN](#) [626-0194](#) [62-NBM-A](#) [62-SN](#) [62-SP](#) [63-S](#) [640179-1](#) [M55155/059I03](#) [M55155/079C01](#) [M55155/099H02](#) [M55155/109H01](#) [M55155/109H02](#) [M55155/12XH05](#) [M55155/16XH02](#)