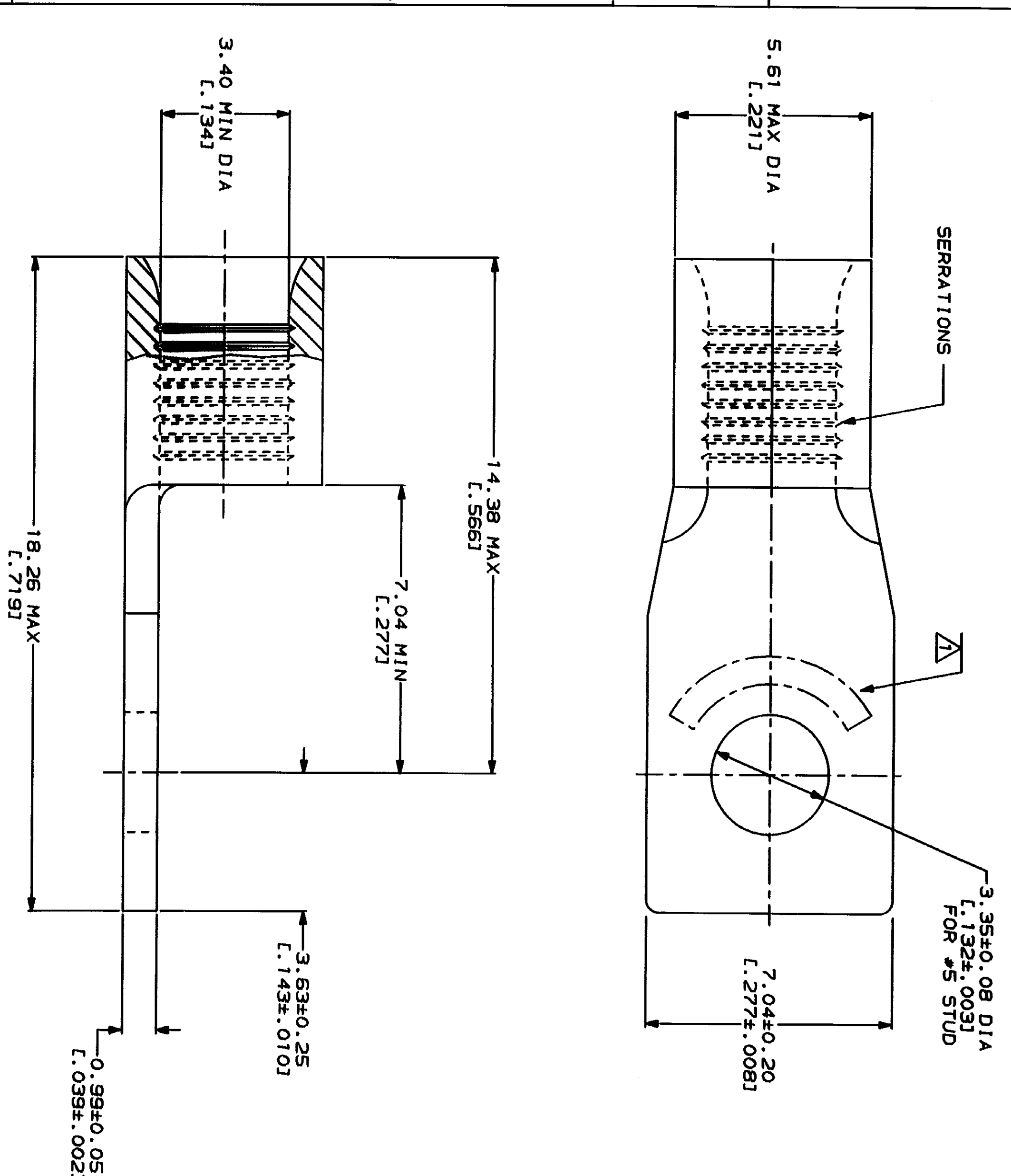


LOC	DIST	ZONE	LTN	DESCRIPTION	DATE	APPD
G	14	A	1	REVISED PER 0720-0230-93		

METPRIG
DIMENSIONS LISTED IN mm [INCHES]

AMP WIRE RANGE 12-10 AWG STRANDED	UL E13298 Listed
LR7189 Certified	MILITARY P/N AND CLASS
NOT CERTIFIED	NOT APPLICABLE

△ STAMP AMP 12-10* APPROX AS SHOWN



AMP INCORPORATED
CUSTOMER SERVICE SYSTEMS

FOR ADDITIONAL PRODUCT INFORMATION OR COPIES OF DRAWINGS AND TECHNICAL DOCUMENTS: PRODUCT INFORMATION CENTER 1-800-522-6752

FOR APPLICATION TOOLING INFORMATION: TOOLING ASSISTANCE CENTER 1-800-722-1111

FOR ORDER ENTRY: 1-800-526-5142

MAX RECOMMENDED OPERATING TEMPERATURE: 170°C MAX

VOLTAGE RATING: NOT APPLICABLE

WIRE CROSS SECTIONAL AREA RANGE: 2.62-6.64mm² [S, 180-13, 100] CIR MILS STRANDED

FINISH: TIN PLATE
0.00254 [0.000100] MIN THK PER MIL-T-10727

DO NOT SCALE PRINT. UNLESS SPECIFIED DIMENSIONS IN THIS DRAWING ARE IN INCHES. TOLERANCES ON: 1. DIMENSIONS: ±0.005 2. HOLE DIA: ±0.005 3. HOLE DEC: ±0.005 ANGLES: ±0.5°

MATERIAL: COPPER PER ASTM B-152 ANNEALED

DR 1-28-93 TA BRINKMAN
CHK 1-28-93 DA PATTERSON
APPD 1-28-93 DE MILLER
APPD 1-28-93 JL HECKLEY
PRODUCT SPEC

AMP INCORPORATED
Harrisburg, PA 17105-3608

TERMINAL, RECTANGULAR
TONGUE, BUDGET

SIZE: 00779
CAGE CODE: 00779
DRAWING NO: 327953

SCALE: 10:1

PART NO: 327953

SHEET: 1 OF 1

X-ON Electronics

Largest Supplier of Electrical and Electronic Components

Click to view similar products for [Terminals](#) category:

Click to view products by [TE Connectivity](#) manufacturer:

Other Similar products are found below :

[00-054007-01074-6](#) [00-054007-70206-1](#) [00-054007-70210-8](#) [00-054007-70217-7](#) [00-054007-70226-9](#) [00-054007-70228-3](#) [00-054007-70248-1](#) [00-054007-70256-6](#) [00-054007-70301-3](#) [00-054007-70316-7](#) [0-0320562-0](#) [00-054007-49560-4](#) [00-054007-70209-2](#) [00-054007-70225-2](#) [00-054007-70227-6](#) [00-054007-70231-3](#) [00-054007-70241-2](#) [00-054007-70242-9](#) [00-054007-70244-3](#) [00-054007-70246-7](#) [00-054007-70263-4](#) [00-054007-70288-7](#) [00-054007-70290-0](#) [00-054007-70300-6](#) [00-054007-70304-4](#) [01-2065-1-0216](#) [01-2900-1-04412](#) [00581P0075](#) [600TS-10](#) [60205-1](#) [604200-1](#) [605601-1](#) [60598-1-CUT-TAPE](#) [61314-6-C](#) [61810-3](#) [61-S](#) [61-SN](#) [626-0194](#) [62-NBM-A](#) [62-SN](#) [62-SP](#) [63-S](#) [640179-1](#) [M55155/059I03](#) [M55155/079C01](#) [M55155/099H02](#) [M55155/109H01](#) [M55155/109H02](#) [M55155/12XH05](#) [M55155/16XH02](#)