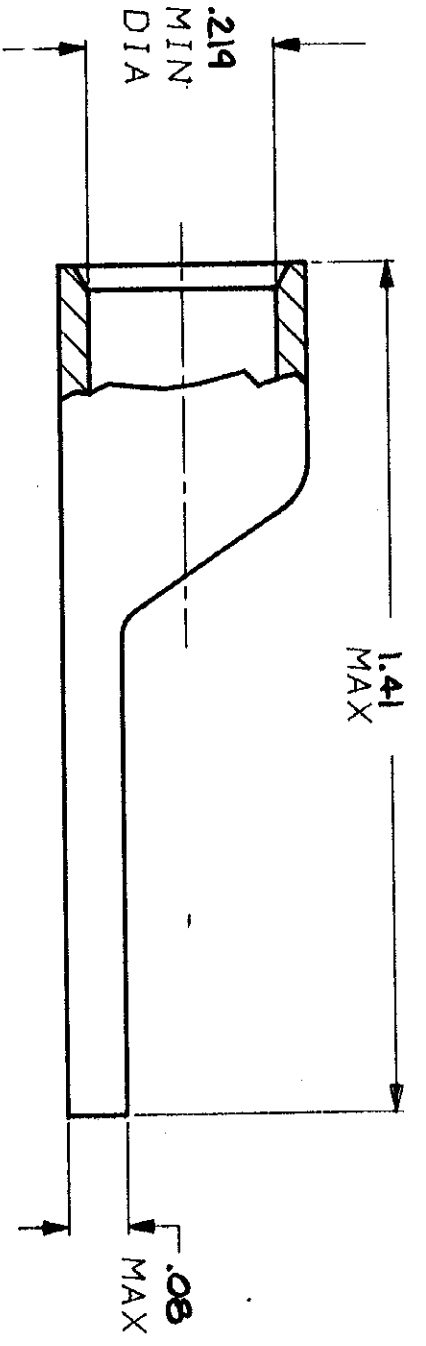
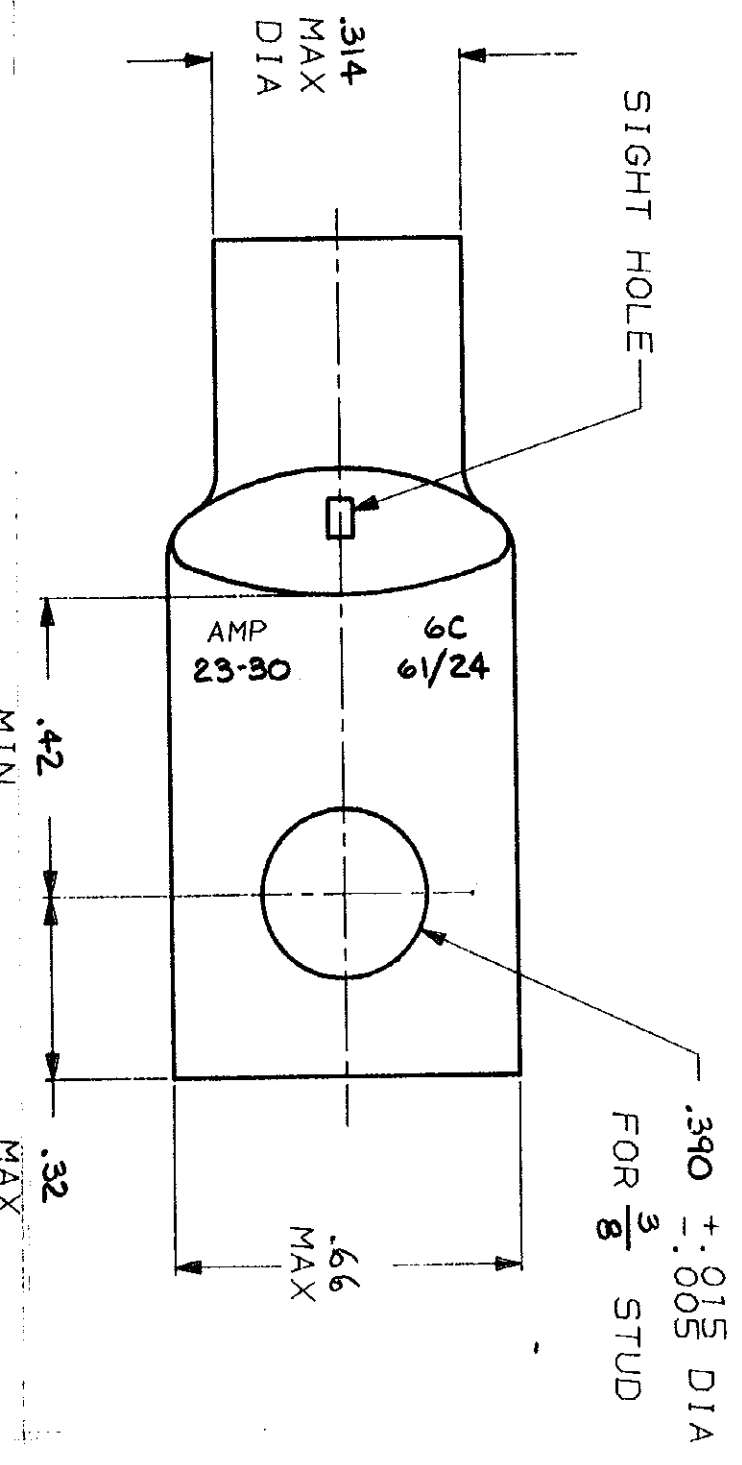


DRAWING MADE IN THIRD ANGLE PROJECTION
 THIS DRAWING IS UNPUBLISHED. RELEASED FOR PUBLICATION
 © COPYRIGHT 19 BY AMP INCORPORATED, HARRISBURG, PA. ALL INTERNATIONAL RIGHTS RESERVED. AMP PRODUCTS MAY BE COVERED BY U.S. AND FOREIGN PATENTS AND/OR PATENTS PENDING.

LOC 6
 DIST 86

REV	DESCRIPTION	DATE	APPROVED
✓	REV & REDRAWN PER G-2161	6/9/86	<i>[Signature]</i>
✓	REV PER G-5397	3/21/90	DKS

LOC	DIST	P	F	ZONE	LTR	DESCRIPTION	DATE	APPROVED
6	86	✓	✓	P	P	REV & REDRAWN PER G-2161	6/9/86	<i>[Signature]</i>
		✓		R	R	REV PER G-5397	3/21/90	DKS



1. CIRCULAR MIL AREA RANGE: 20,800 - 33,100

PART NO
328144

UNLESS OTHERWISE SPECIFIED DIMENSIONS ARE IN INCHES TOLERANCES ON:		DR. WAREHAM 6/9/86	NAME AMP AMP INCORPORATED Harrisburg, Pa. 17105	
2 PL DEC # -	3 PL DEC # -	CHK. <i>[Signature]</i> 6-10-86	NAME TERMINAL, AMPPOWER,	
ANGLES # -		APPRO. <i>[Signature]</i>	WIRE SIZE: 6 AWG	
MATERIAL ANNEALED COPPER	ASTM B-152	PRODUCT SPEC	SIZE B	FSCM NO 00779
FINISH TIN PLATE .000150 MIN THK MIL-T-10727	APPLICATION SPEC	WEIGHT .014 LB	SCALE NTS	DRAWING NO 328144
			SHEET 1	OF 1

X-ON Electronics

Largest Supplier of Electrical and Electronic Components

Click to view similar products for [Terminals](#) category:

Click to view products by [TE Connectivity](#) manufacturer:

Other Similar products are found below :

[00-054007-01074-6](#) [00-054007-70206-1](#) [00-054007-70210-8](#) [00-054007-70217-7](#) [00-054007-70226-9](#) [00-054007-70228-3](#) [00-054007-70248-1](#) [00-054007-70256-6](#) [00-054007-70301-3](#) [00-054007-70316-7](#) [0-0320562-0](#) [00-054007-49560-4](#) [00-054007-70209-2](#) [00-054007-70225-2](#) [00-054007-70227-6](#) [00-054007-70231-3](#) [00-054007-70241-2](#) [00-054007-70242-9](#) [00-054007-70244-3](#) [00-054007-70246-7](#) [00-054007-70263-4](#) [00-054007-70288-7](#) [00-054007-70290-0](#) [00-054007-70300-6](#) [00-054007-70304-4](#) [01-2065-1-0216](#) [01-2900-1-04412](#) [00581P0075](#) [600TS-10](#) [60205-1](#) [604200-1](#) [605601-1](#) [60598-1-CUT-TAPE](#) [61314-6-C](#) [61810-3](#) [61-S](#) [61-SN](#) [626-0194](#) [62-NBM-A](#) [62-SN](#) [62-SP](#) [63-S](#) [640179-1](#) [M55155/059I03](#) [M55155/079C01](#) [M55155/099H02](#) [M55155/109H01](#) [M55155/109H02](#) [M55155/12XH05](#) [M55155/16XH02](#)