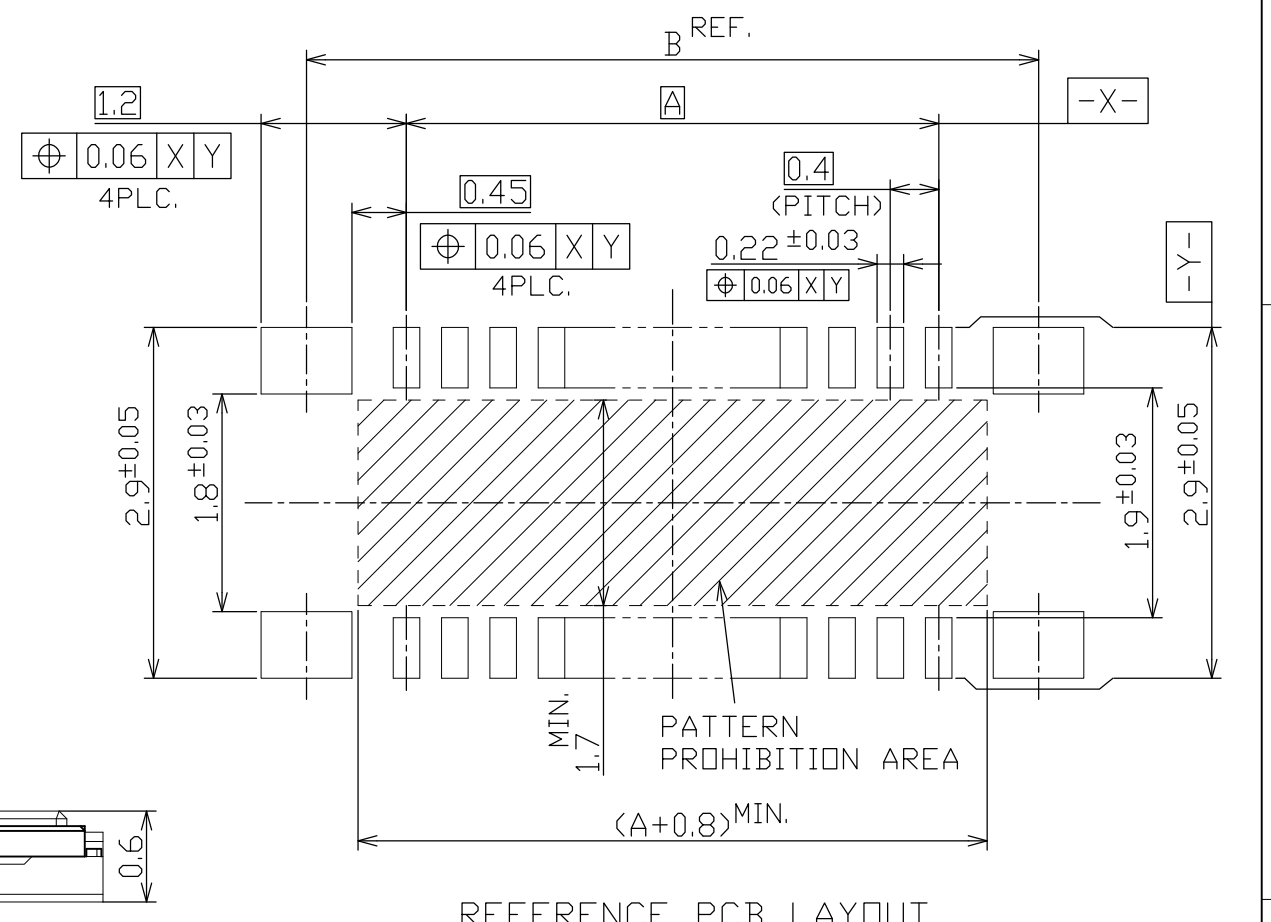
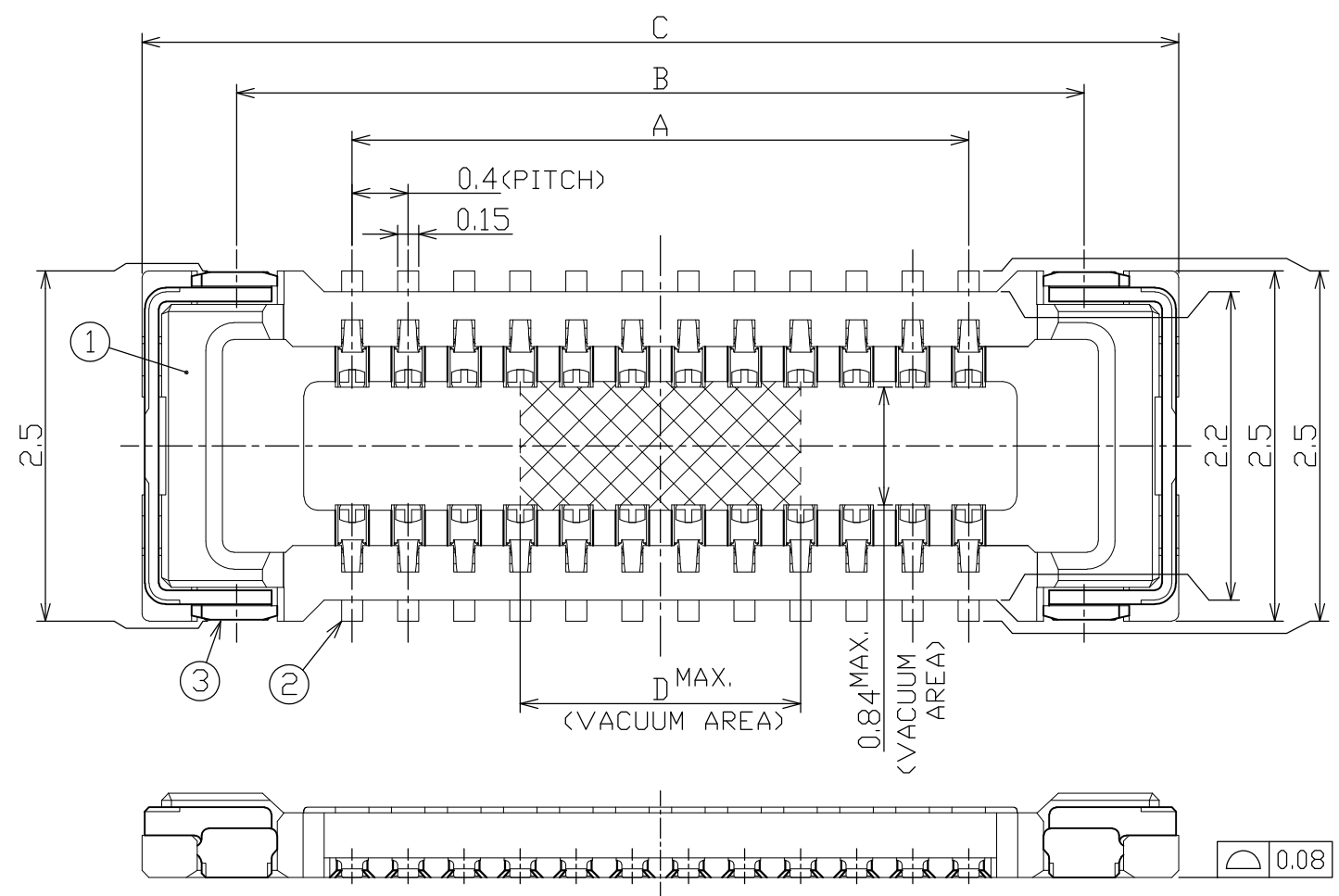


THIS DRAWING IS UNPUBLISHED. RELEASED FOR PUBLICATION  
 © COPYRIGHT - By - ALL RIGHTS RESERVED.

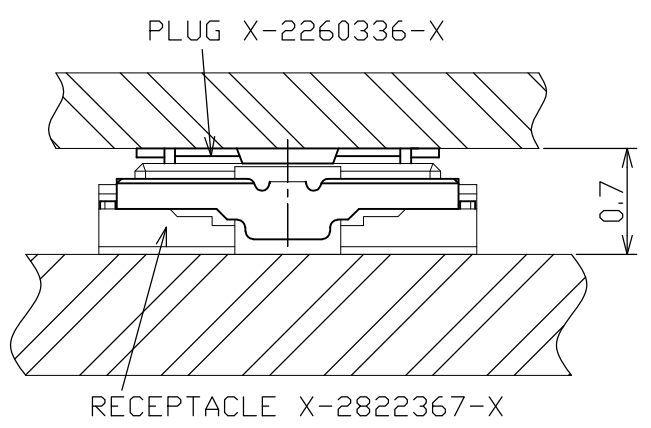
LOC	DIST	REVISIONS					
		P	LTR	DESCRIPTION	DATE	DWN	APVD
J	-	A2	REVISED		01DEC2014	H.F	A.K



REFERENCE PCB LAYOUT  
 (VIEW : MOUNTING SIDE)  
 (16:1)

- ① MATERIAL REFER TO THE TABLE.
- ② FINISH REFER TO THE TABLE.
- 3. MATING CONNECTOR :

STACK HEIGHT	PART NUMBER	
	PLUG	RECEPTACLE
0.7	*-2260336-*	*-2822367-*



- ④ GENERAL TOLERANCES ±0.1, ±3'
- ⑤ THIS DIMENSION IS THE DISTANCE FROM THE EMBOSS TAPE SURFACE TO CONNECTOR PICK UP & PLACE SURFACE.

5.0	12.6	11.25	9.6	50	5-2822367-0
5.0	10.6	9.25	7.6	40	4-2822367-0
5.0	8.6	7.25	5.6	30	3-2822367-0
2.0	7.4	6.05	4.4	24	2-2822367-4
2.0	4.6	3.25	1.6	10	1-2822367-0
D	C	B	A	Pos.	PART NUMBER

Ni UNDER PL Sn PL.	COPPER ALLOY	REC PEG	③
Ni UNDER PL Au PL.(CONTACT AREA) Au PL.(TINE AREA)	COPPER ALLOY	REC CONTACT	②
	THERMO PLASTIC	REC HOUSING	①
△ FINISH	△ MATERIAL	NAME	ITEM NO.

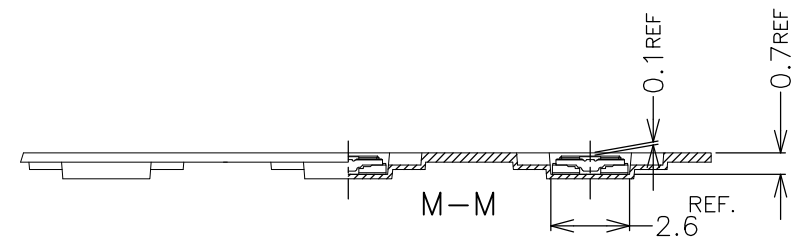
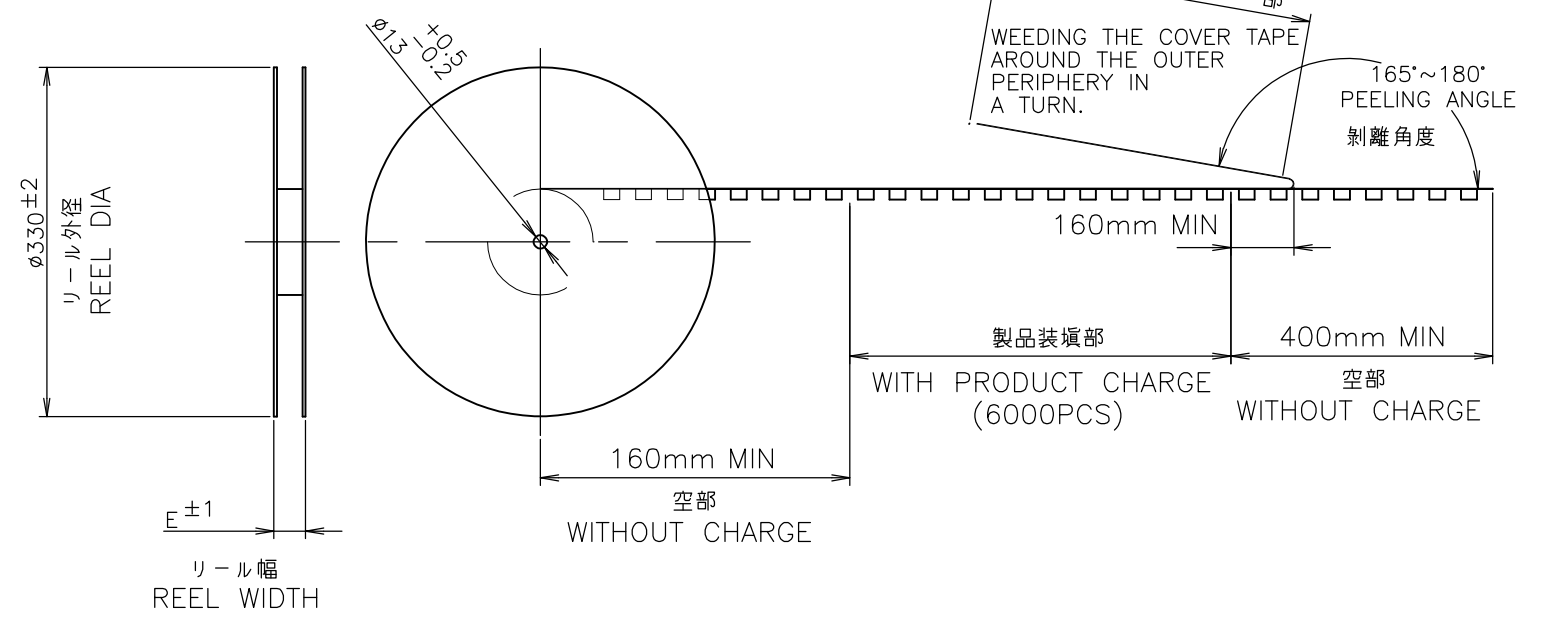
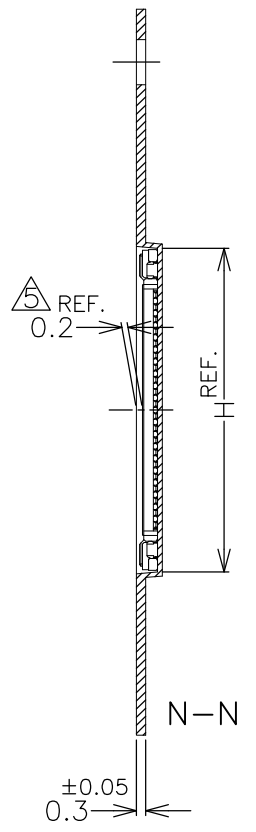
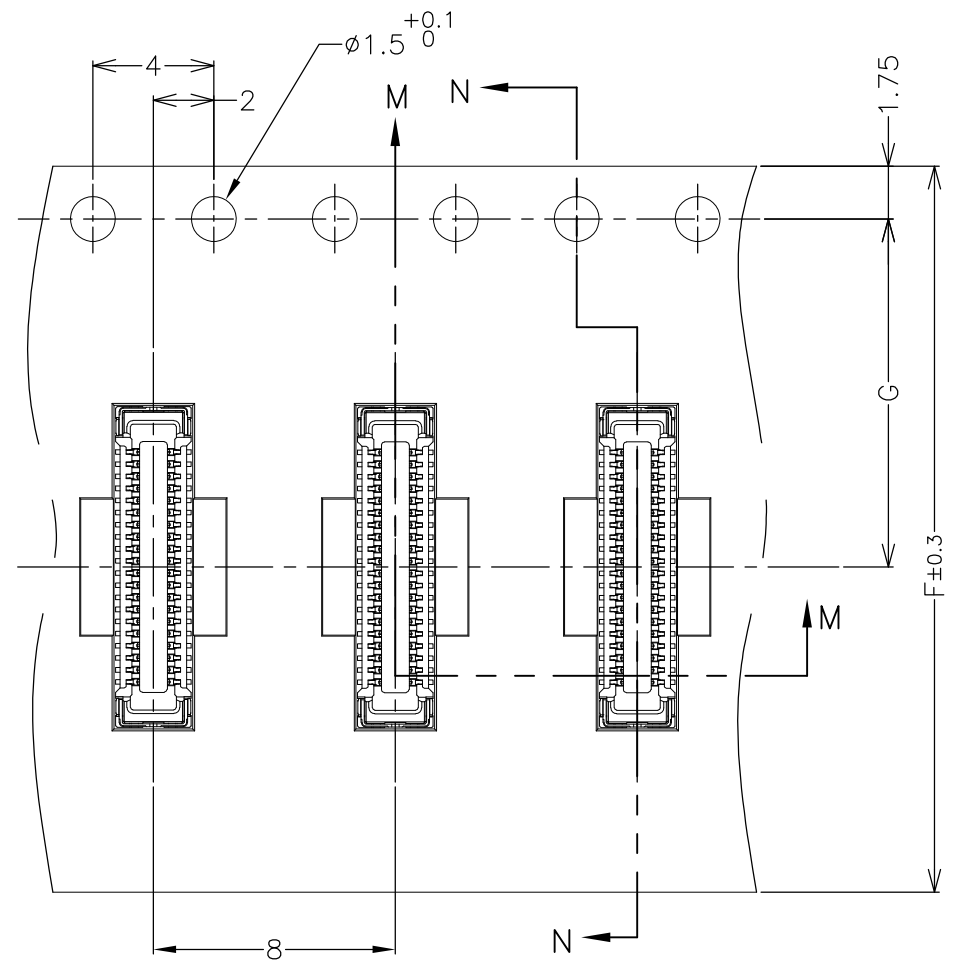
THIS DRAWING IS A CONTROLLED DOCUMENT.

DIMENSIONS: mm	TOLERANCES UNLESS OTHERWISE SPECIFIED: ± ± ± ± ± ± ± ±	DWN H.KIKUCHI 11MAR2014	TE Connectivity 0.4mm PITCH STACKING CONNECTOR RECEPTACLE ASSEMBLY SCALABLE HEIGHT			
		CHK H.FUKUZAKI 11MAR2014				
		APVD A.KUBO 11MAR2014				
		PRODUCT SPEC				
MATERIAL	FINISH	NAME	SIZE A3	CAGE CODE 00779	DRAWING NO C-2822367	RESTRICTED TO -

CUSTOMER DRAWING SCALE 20:1 SHEET 1 OF 2 REV A2

THIS DRAWING IS UNPUBLISHED. RELEASED FOR PUBLICATION  
 © COPYRIGHT - By - ALL RIGHTS RESERVED.

LOC	DIST	REVISIONS					
		P	LTR	DESCRIPTION	DATE	DWN	APVD
J	-	-	-	SEE SHEET 1	-	-	-



12.7	11.5	24.0	29.4	50
10.7	11.5	24.0	29.4	40
8.7	7.5	16.0	21.4	30
7.5	7.5	16.0	21.4	24
4.7	5.5	12.0	17.4	10
H	G	F	E	Pos.

DIMENSIONS

THIS DRAWING IS A CONTROLLED DOCUMENT.		DWN		<b>STE</b> TE Connectivity	
DIMENSIONS: mm		CHK			
TOLERANCES UNLESS OTHERWISE SPECIFIED: 0 PLC $\pm$ 1 PLC $\pm$ 2 PLC $\pm$ 3 PLC $\pm$ 4 PLC $\pm$ ANGLES $\pm$ FINISH $\Delta$		APVD		NAME	
		PRODUCT SPEC		0.4mm PITCH STACKING CONNECTOR RECEPTACLE ASSEMBLY SCALABLE HEIGHT	
MATERIAL		WEIGHT		SIZE	RESTRICTED TO
				A3 00779	-
		CUSTOMER DRAWING		SCALE NTS	SHEET 2 OF 2
				DRAWING NO C-2822367	REV A2

## X-ON Electronics

Largest Supplier of Electrical and Electronic Components

*Click to view similar products for [Board to Board & Mezzanine Connectors](#) category:*

*Click to view products by [TE Connectivity](#) manufacturer:*

Other Similar products are found below :

[589158040000018](#) [MDF7C-18P-2.54DSA\(55\)](#) [FCN-230C068-11](#) [FCN-268F012-G/BD](#) [FCN-268F036-G/BD](#) [FCN-268M012-G/0D](#) [FCN-268M024-G/1D](#) [FCN-723J004/1](#) [MIS-048-01-F-D-DP-K](#) [832-10-034-10-001000](#) [FX4C-80S-1.27DSA](#) [FCN-214Q030-G/0](#) [FCN-234P048-G/0](#) [FCN-235D050-G/C](#) [210-93-314-41-105000](#) [2-22603-0](#) [MDF7-40DP-2.54DSA\(55\)](#) [AXG720047](#) [5031084030](#) [MIT-114-03-F-D-K](#) [55323-1519](#) [DF33-2P-3.3DSA\(24\)](#) [YFT-20-05-H-03-SB-K](#) [503308-3040](#) [026-6203-PDB](#) [027-6203-PDB](#) [069159702701000](#) [10123981-102LF](#) [101A10019X](#) [55650-0588-C](#) [68682-310LF](#) [68684-306](#) [75140-7012](#) [87471-650](#) [194261-1](#) [FCN-268F024-G0D](#) [10124054-515LF](#) [68685-603](#) [8-1616154-3](#) [MIS-019-01-F-D](#) [FCN-268M024-G/3D](#) [20021832-06016C1LF](#) [KX15-20KLDL-E1000E](#) [MDF7-16DP-2.54DSA\(55\)](#) [AXE810124](#) [FCN-214J100-G/0](#) [FCN-230C068-E/S](#) [AXE812124](#) [AXE816124](#) [AXE720127](#)