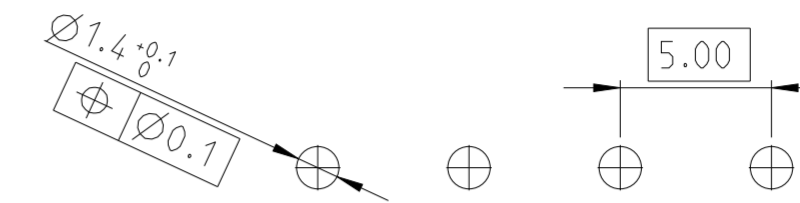
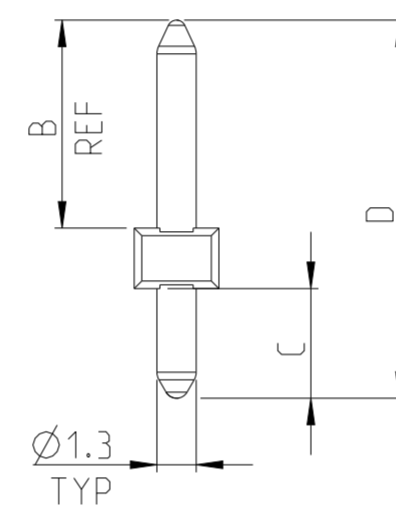
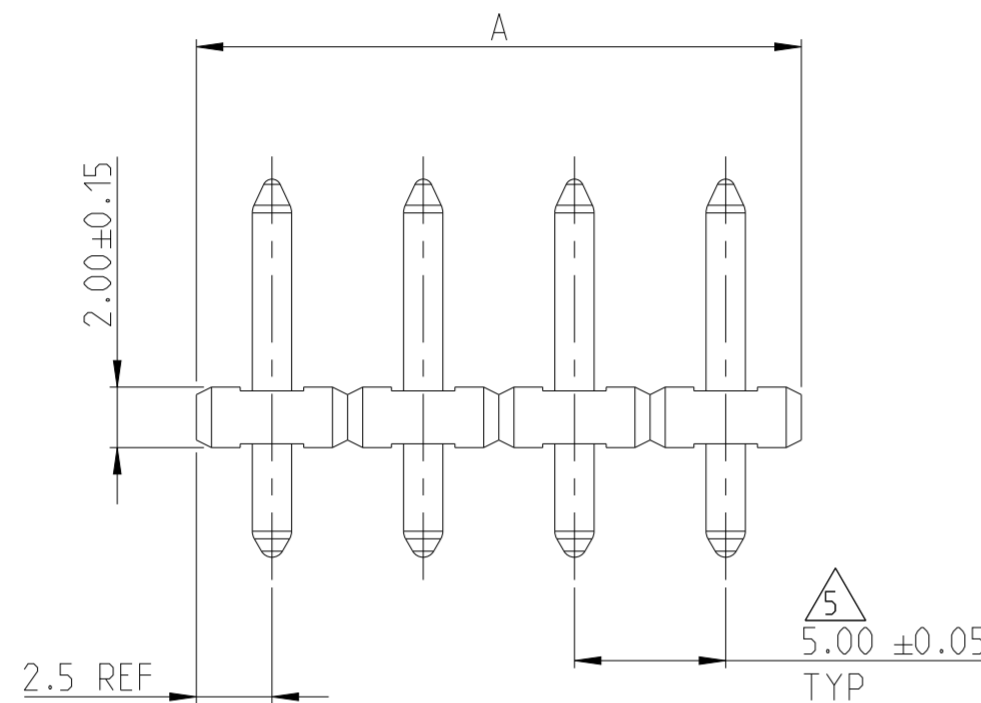
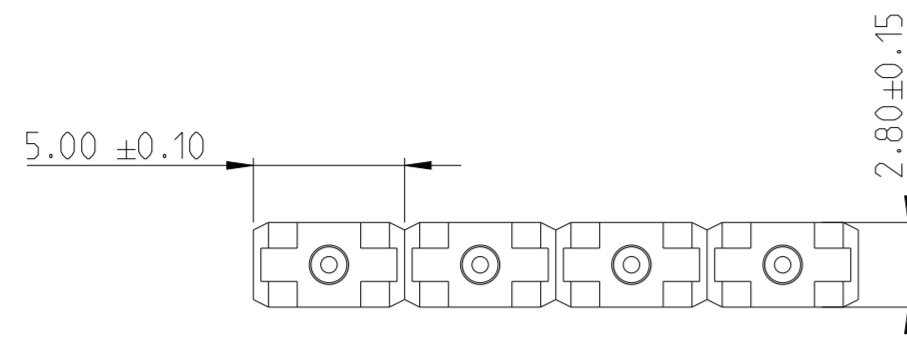
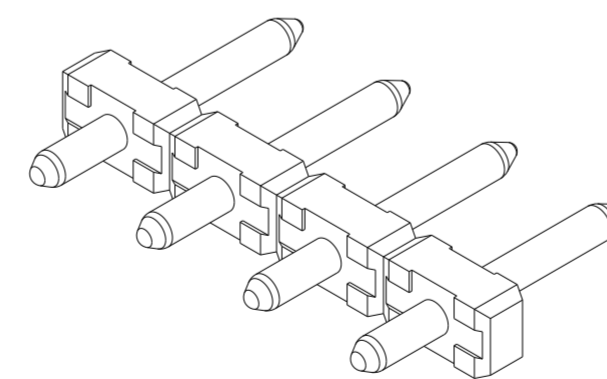


REVISIONS					
P	LTR	DESCRIPTION	DATE	DWN	APVD
H8		PN 3-282832-9 IS RELEASED FOR PRODUCTION	01JUL2019	RK	PS
H9		PART STATUS UPDATED	07JUL2021	SB	SS



RECOMMENDED PC BOARD LAYOUT

- NOTES:
- MATERIALS AND FINISH:
HOUSING: PA 4T, UL 94-V0, COLOR GREEN
TERMINAL: COPPER ALLOY, PLATING: SEE TABLE.
 - MECHANICAL
MIN. PC BOARD HOLES DIAMETER : 1.4mm
MAX. PC BOARD THICKNESS : 2.4mm
 - ELECTRICAL
MAX. VOLTAGE : 300 V
MAX CURRENT : 12 A
CONTACT RESISTANCE : < 15 m Ohm
INSULATION RESISTANCE : > 1000 M Ohm (500V DC)
 - OPERATING TEMPERATURE RANGE: -40°C TO +105°C
 - TOLERANCE NOT CUMULATIVE.
 - END-TO-END STACKABLE WITHOUT LOSS OF CENTERLINE SPACING.
 - RECOGNIZED UNDER THE COMPONENT PROGRAM OF UNDERWRITERS LABORATORIES INC. FILE NO E60677.



282832-4 AS SHOWN

TERMINAL PLATING	D	C	B	A	NO OF POSN	PART NUMBER	
OBSOLETE	TIN	20.5	3.5	15.0	45.0	9	4-282832-1
	TIN	20.5	4.5	14.0	30.0	6	4-282832-0
OBSOLETE	TIN	20.5	3.5	15.0	20.0	4	3-282832-9
	TIN	20.5	3.5	15.0	15.0	3	3-282832-8
		16.5	3.5	11.0	20.0	4	3-282832-7
		20.5	4.5	14.0	15.0	3	3-282832-6
OBSOLETE	TIN	21.1		15.6	20.0	4	3-282832-5
					15.0	3	3-282832-4
		16.5		11.0	15.0	3	3-282832-3
OBSOLETE	GOLD				10.0	2	3-282832-2
					15.0	3	2-282832-7
					125.0	25	2-282832-6
					120.0	24	2-282832-5
					115.0	23	2-282832-4
					110.0	22	2-282832-3
OBSOLETE		12.5	3.5		105.0	21	2-282832-2
					100.0	20	2-282832-1
					95.0	19	2-282832-0
					90.0	18	1-282832-9
					85.0	17	1-282832-8
					80.0	16	1-282832-7
					75.0	15	1-282832-6
					70.0	14	1-282832-5
OBSOLETE	TIN				65.0	13	1-282832-4
		16.5	3.5	11.0	40.0	8	1-282832-3
					60.0	12	1-282832-2
					55.0	11	1-282832-1
					50.0	10	1-282832-0
					45.0	9	282832-9
					40.0	8	282832-8
					35.0	7	282832-7
					30.0	6	282832-6
					25.0	5	282832-5
					20.0	4	282832-4
					15.0	3	282832-3
					10.0	2	282832-2

THIS DRAWING IS A CONTROLLED DOCUMENT.		DWN E. ZANDLIN 14 AUG 2001	TE Connectivity	
DIMENSIONS: mm		CHK D. BIEVENOUR 14 AUG 2001		
TOLERANCES UNLESS OTHERWISE SPECIFIED:		APVD D. BIEVENOUR 14 AUG 2001	NAME TERMINAL BLOCK PIN HEADER UNSHROUDED 5.0 mm PITCH	
0 PLC ± 1 PLC ±0.3 2 PLC ±0.25 3 PLC ± 4 PLC ± ANGLES ±2° FINISH SEE NOTES		PRODUCT SPEC -	SIZE A2	CAGE CODE 100779
MATERIAL SEE NOTES		APPLICATION SPEC -	DRAWING NO C-282832	RESTRICTED TO
		WEIGHT -	SCALE 4:1	SHEET 1 OF 1
		CUSTOMER DRAWING	REV H9	

X-ON Electronics

Largest Supplier of Electrical and Electronic Components

Click to view similar products for [Pluggable Terminal Blocks](#) category:

Click to view products by [TE Connectivity](#) manufacturer:

Other Similar products are found below :

[57.510.0053](#) [MC 1.5/ 6-ST-3.5 GY AU](#) [734-104](#) [734-302](#) [8-141-P](#) [8426620000](#) [860505](#) [860516](#) [860810](#) [GBPACX-12](#) [93.731.4953.0](#) [PV05-5,08-K](#) [PVP02-5,00](#) [PVP03-3,50](#) [PVP04-3,50](#) [PVS02-5,00](#) [1-1986160-3](#) [1377680000](#) [1531000000](#) [1546228-5](#) [ELFH16150](#) [ELFP03110](#) [ELFP10210](#) [ELFT06250](#) [ELVP03100](#) [1700101](#) [1700410](#) [1700425](#) [1702246](#) [1705229](#) [1710175](#) [1714537](#) [1717806](#) [1719600](#) [1728941](#) [1734692](#) [1734795](#) [1736036](#) [1740194](#) [1740291](#) [1740628](#) [1740990](#) [1746952](#) [1750207](#) [1752441](#) [1752865](#) [1754115](#) [1754144](#) [1756913](#) [1760051](#)