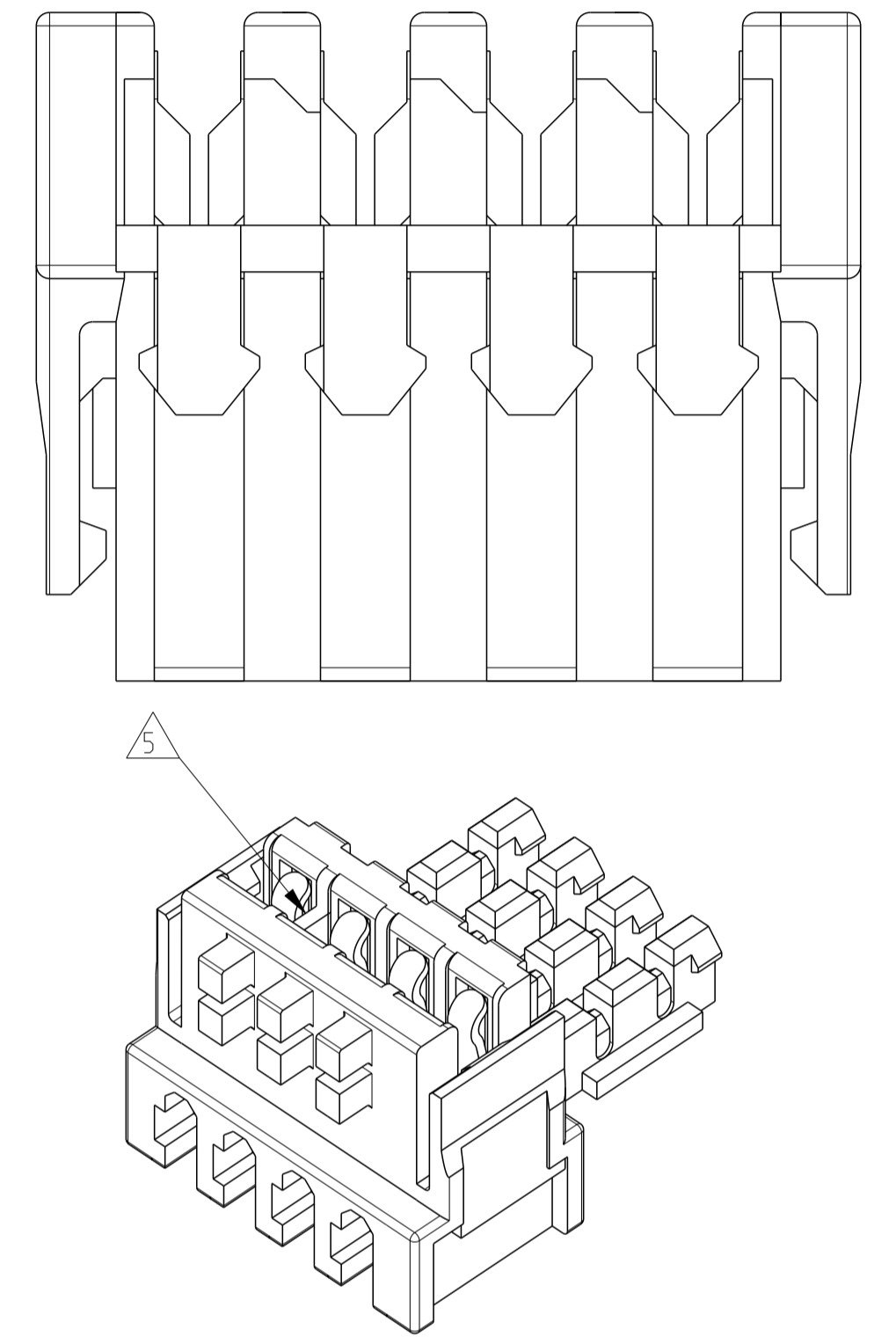
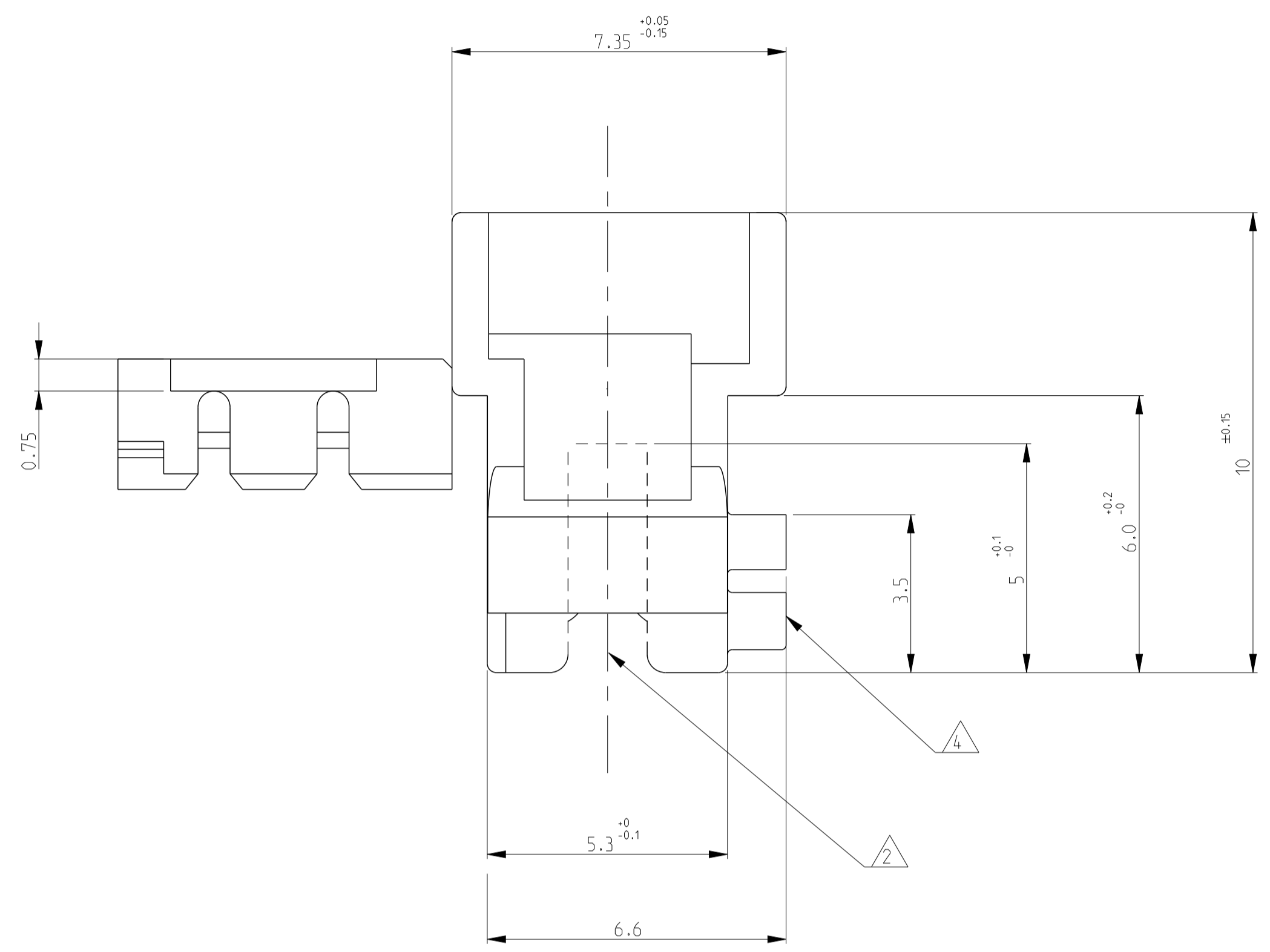
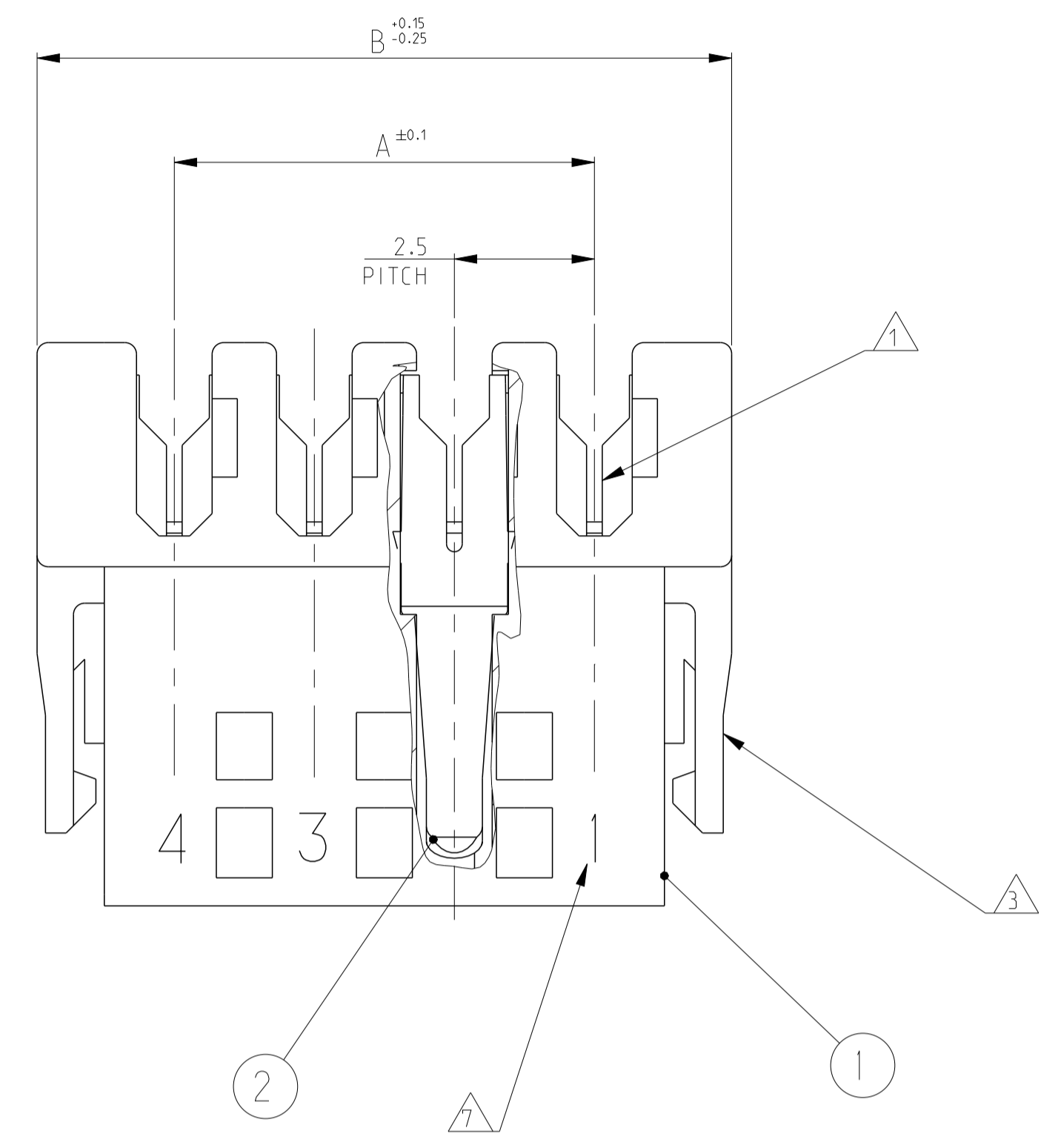
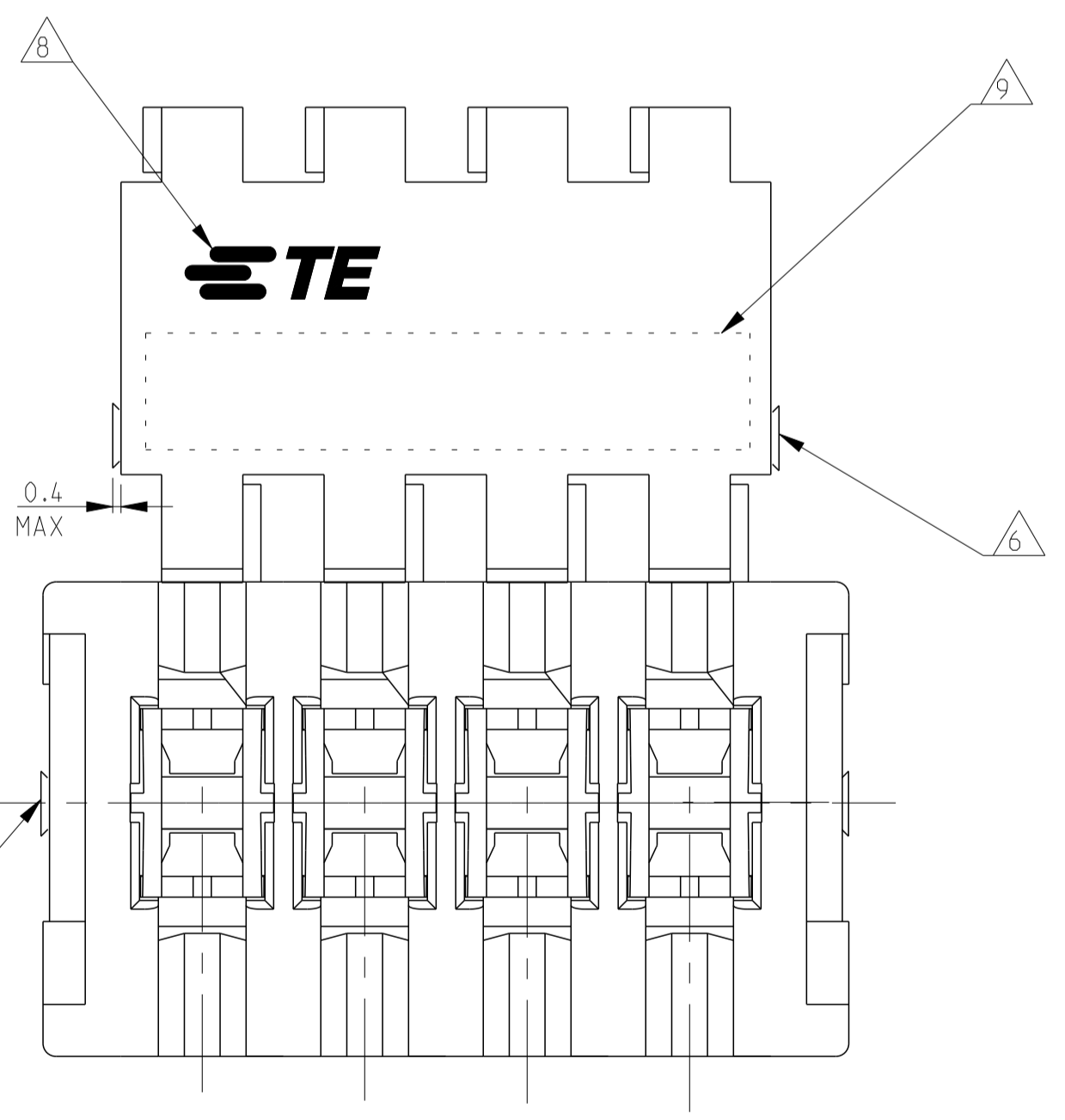


REVISONS		DATE	DMN	APVD
A22	ECR-19-004458	26MAR2019	LZ	FL
A23	ECR-19-005718	15APR2019	LZ	FL
B	ECR-19-015553	31OC12019	SM	FL



SCALE 5:1



- 1 WIRE RANGE : STRANDED 0.22-0.35 mm² (INS. DIA. 1.30±0.1)
- 2 MATING PART: P.C.B. EDGE, DOUBLE SIDE, THK 1.5 (COPPER CLADDING INCLUDED)
- 3 SIDE LOCKING DEVICE
- 4 KEYING RIBS TO BE REMOVED BY TERMINATION MACHINE
- 5 POLARIZATION RIBS BETWEEN CAVITIES
- 6 CUT OFF DIMENSION DUE TO PRODUCTION PROCESS
- 7 CIRCUIT No. IDENTIFICATION
- 8 TE TRADEMARK (OPTIONAL POSITION)
- 9 TAMPOGRAPHIC COLOUR CODE AREA (P/Ns IDENTIFICATION BEFORE CRIMPING AREA)
- 10 FOR PCB LAYOUT, SEE PAGES 2-3
FOR CONNECTION VIEW LAYOUT, SEE PAGE 3
- 11 NOT YET RELEASED FOR PRODUCTION
- 12 NOT DEFINED DURING PRELIMINARY STATUS
- 13 PBT GF
- 14 PBT GF, UL94-V0 & GWEP7 750 NO-FLAME, NATURAL

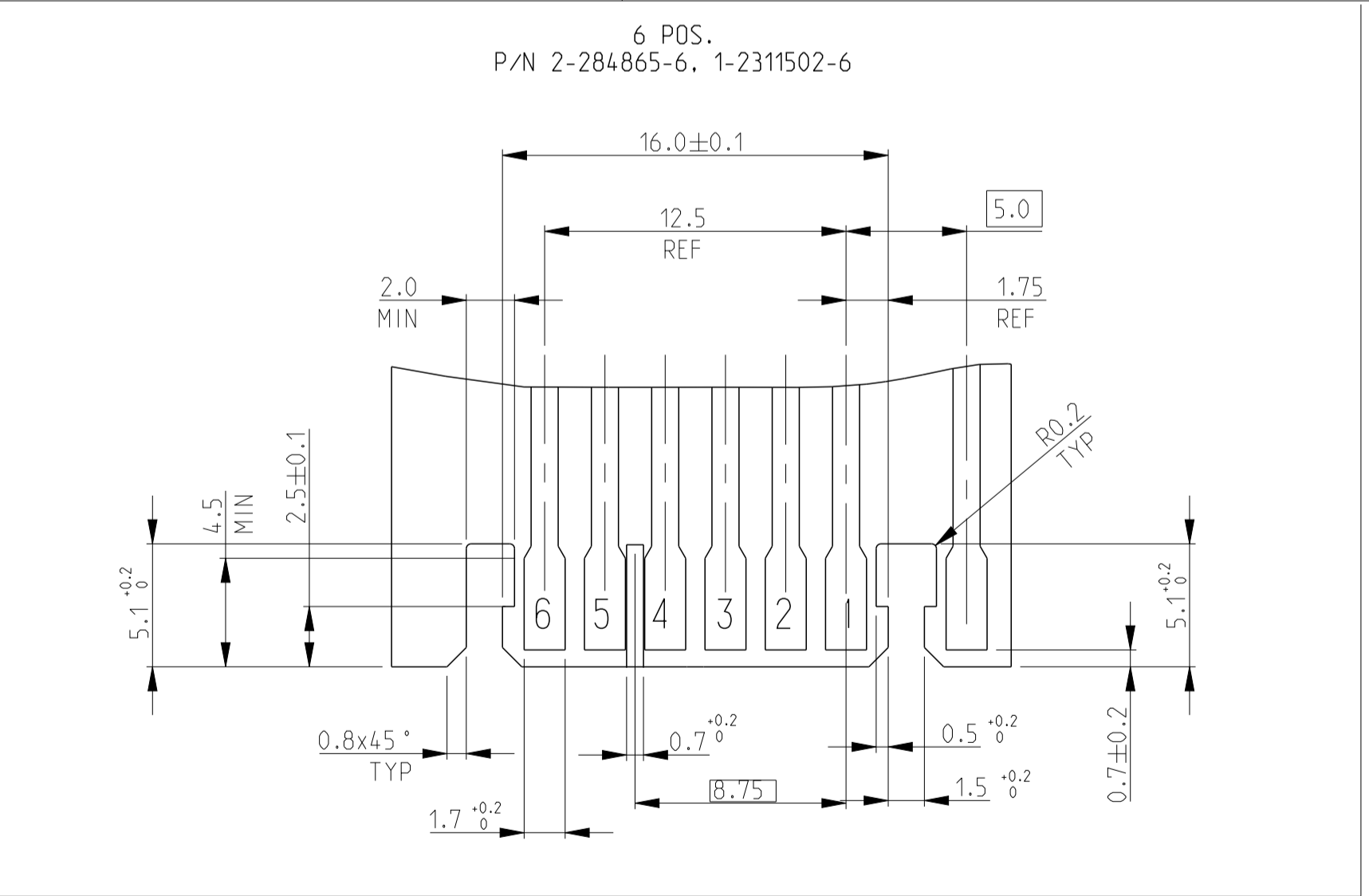
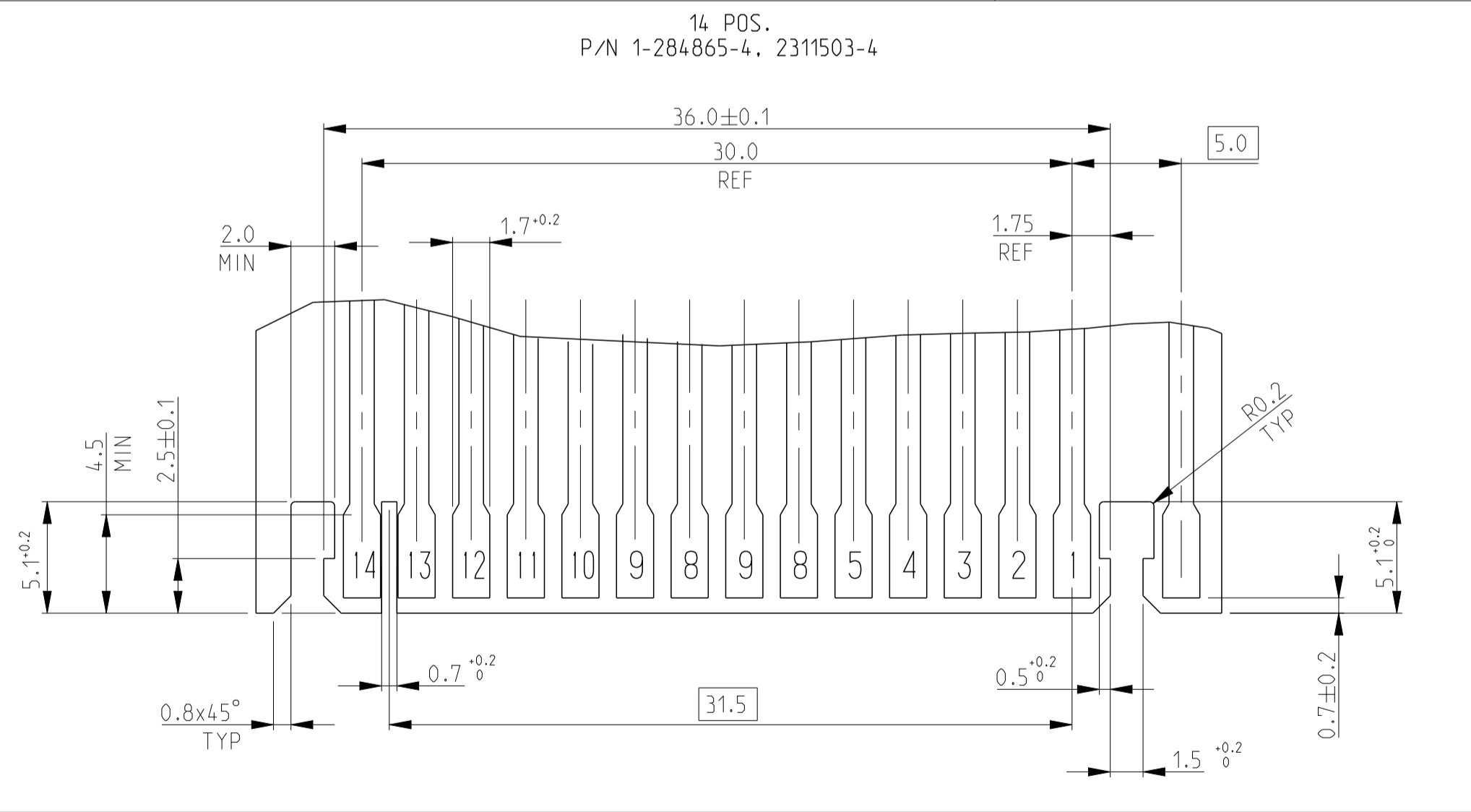
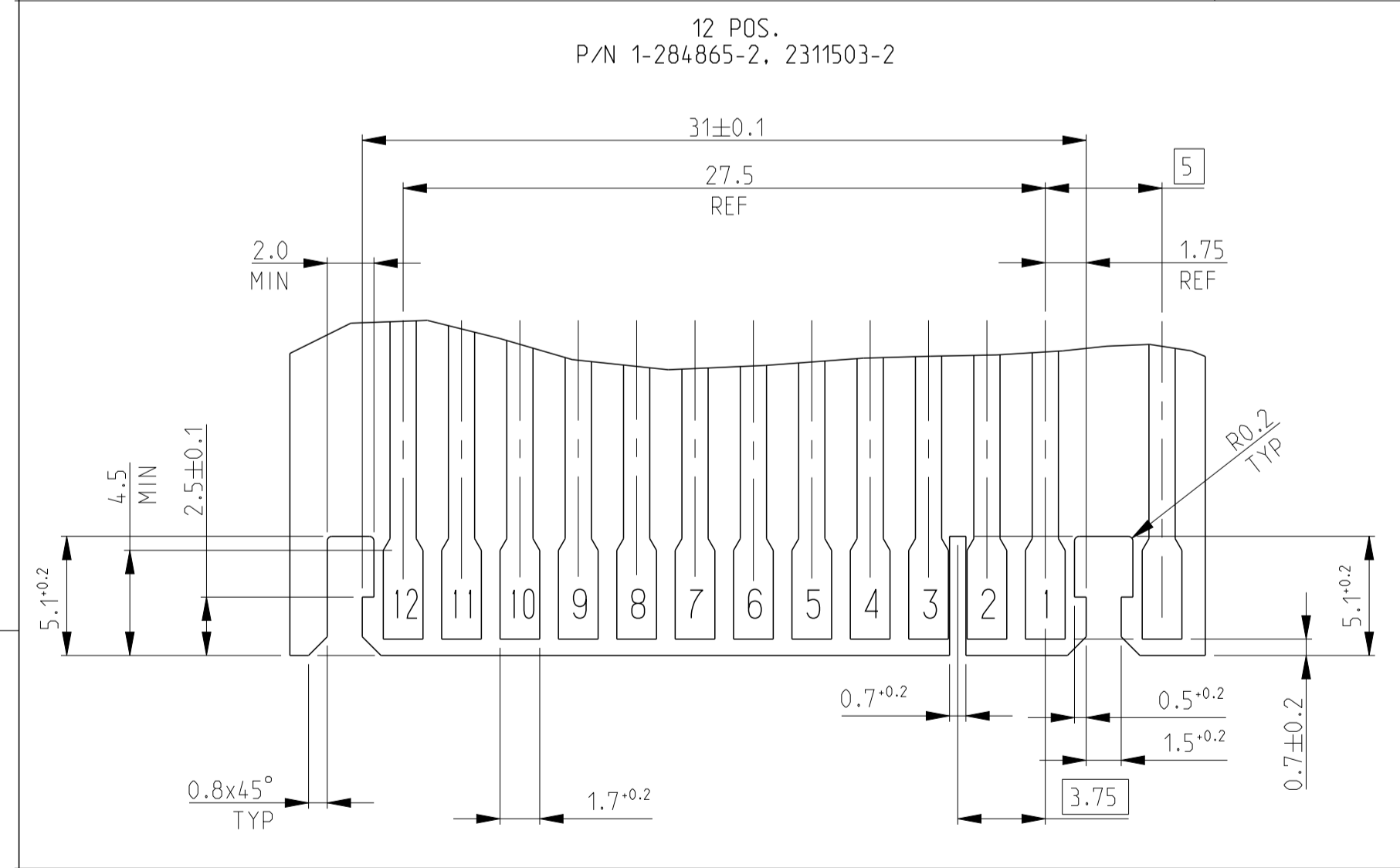
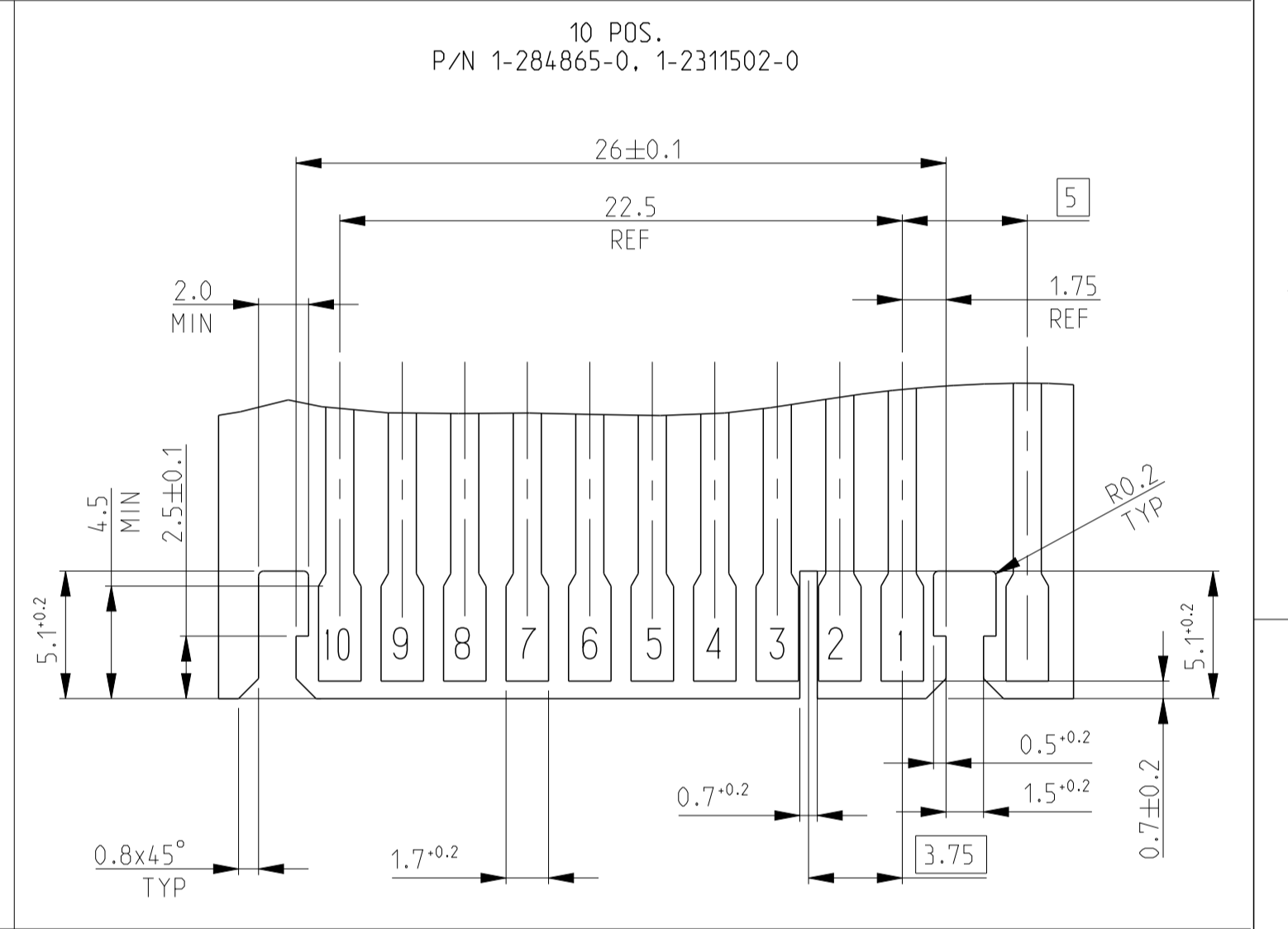
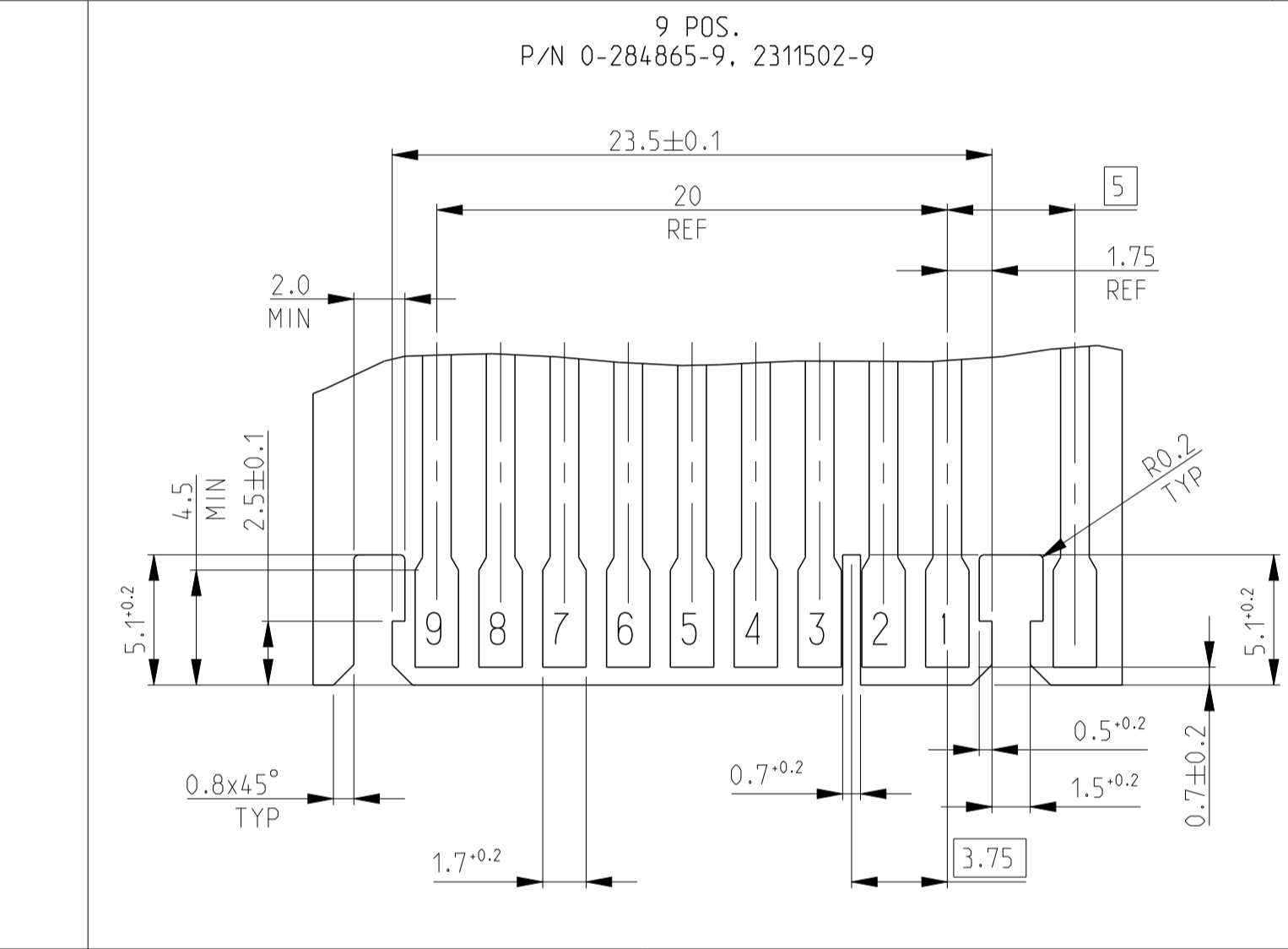
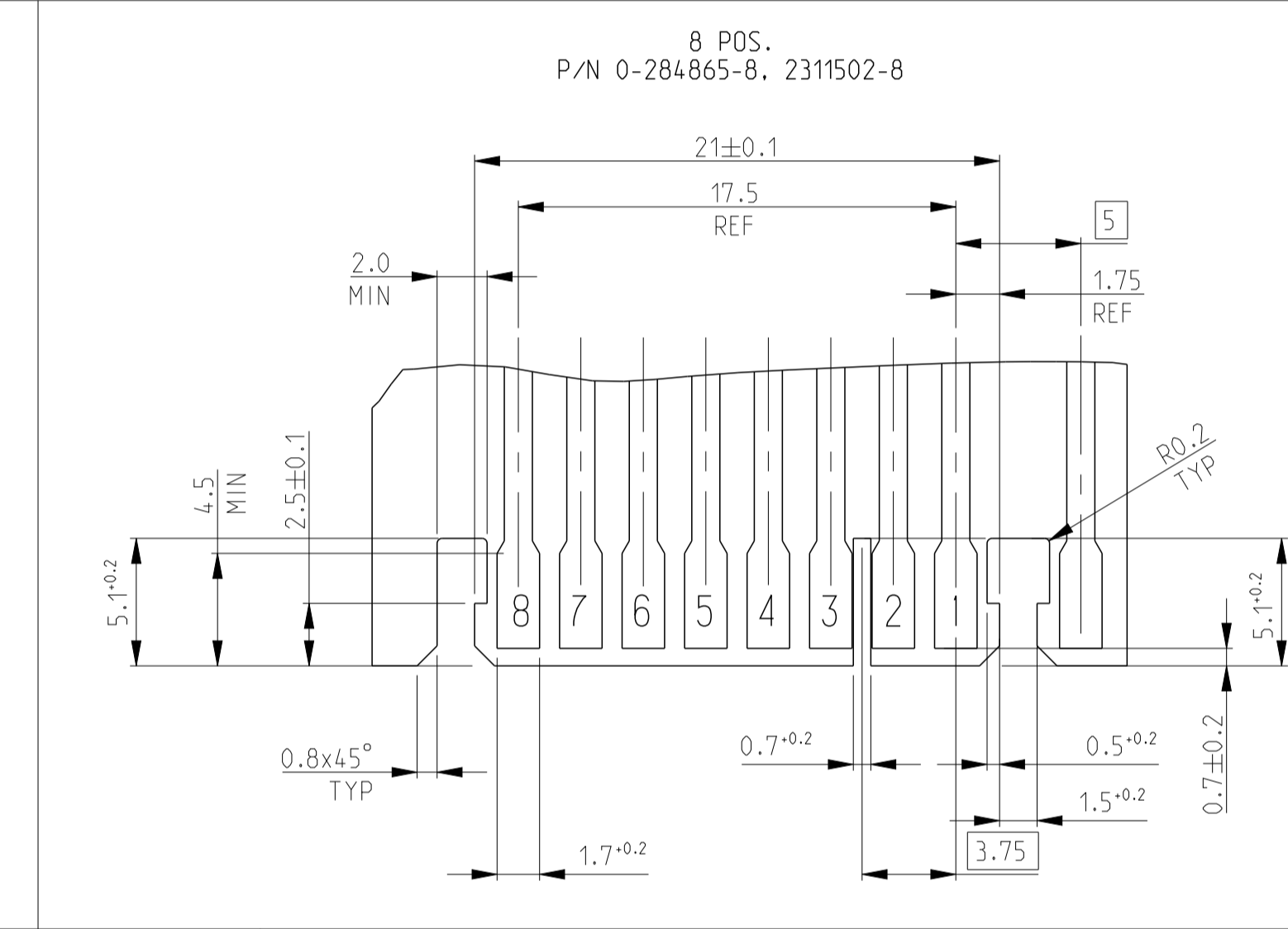
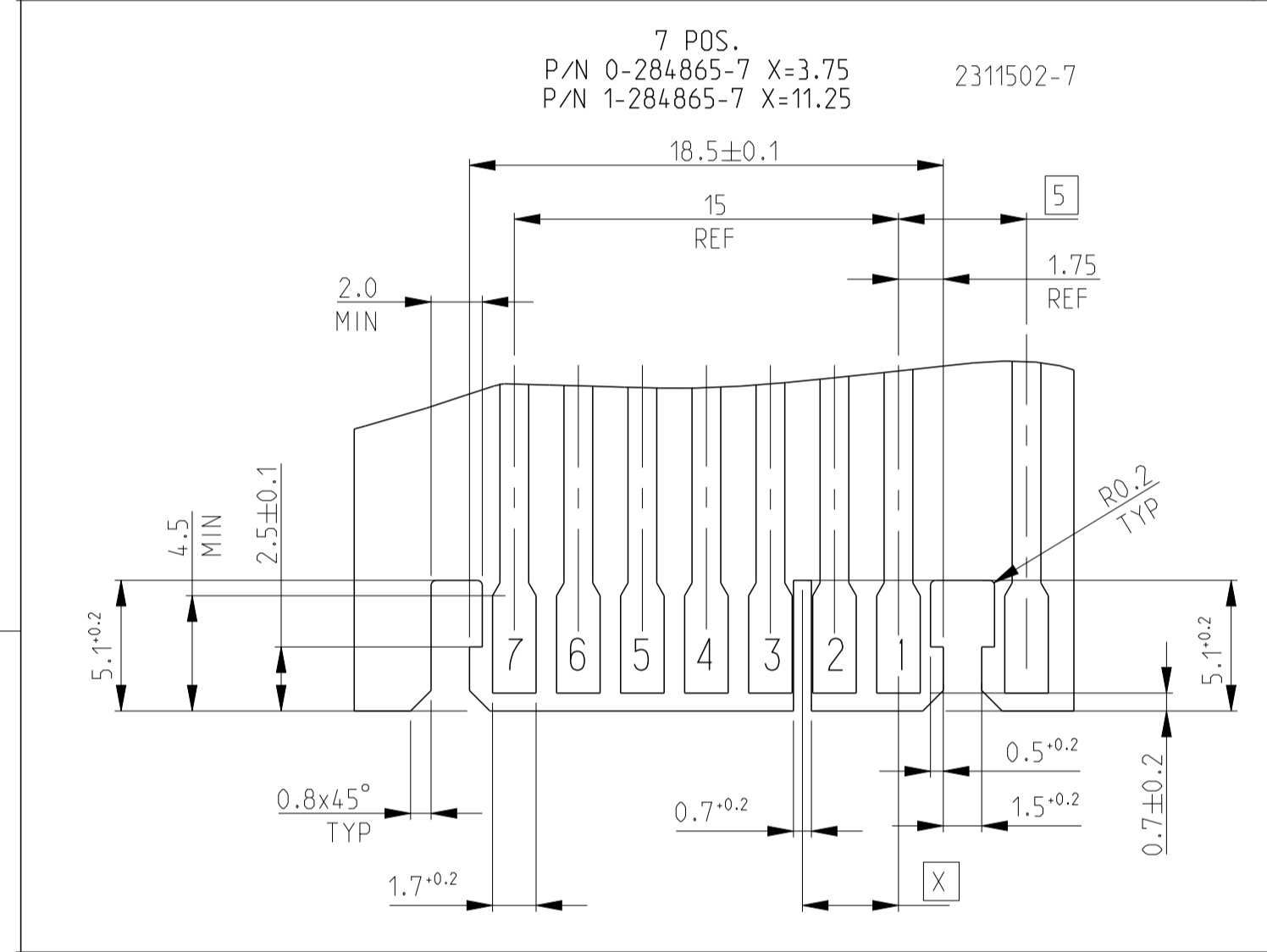
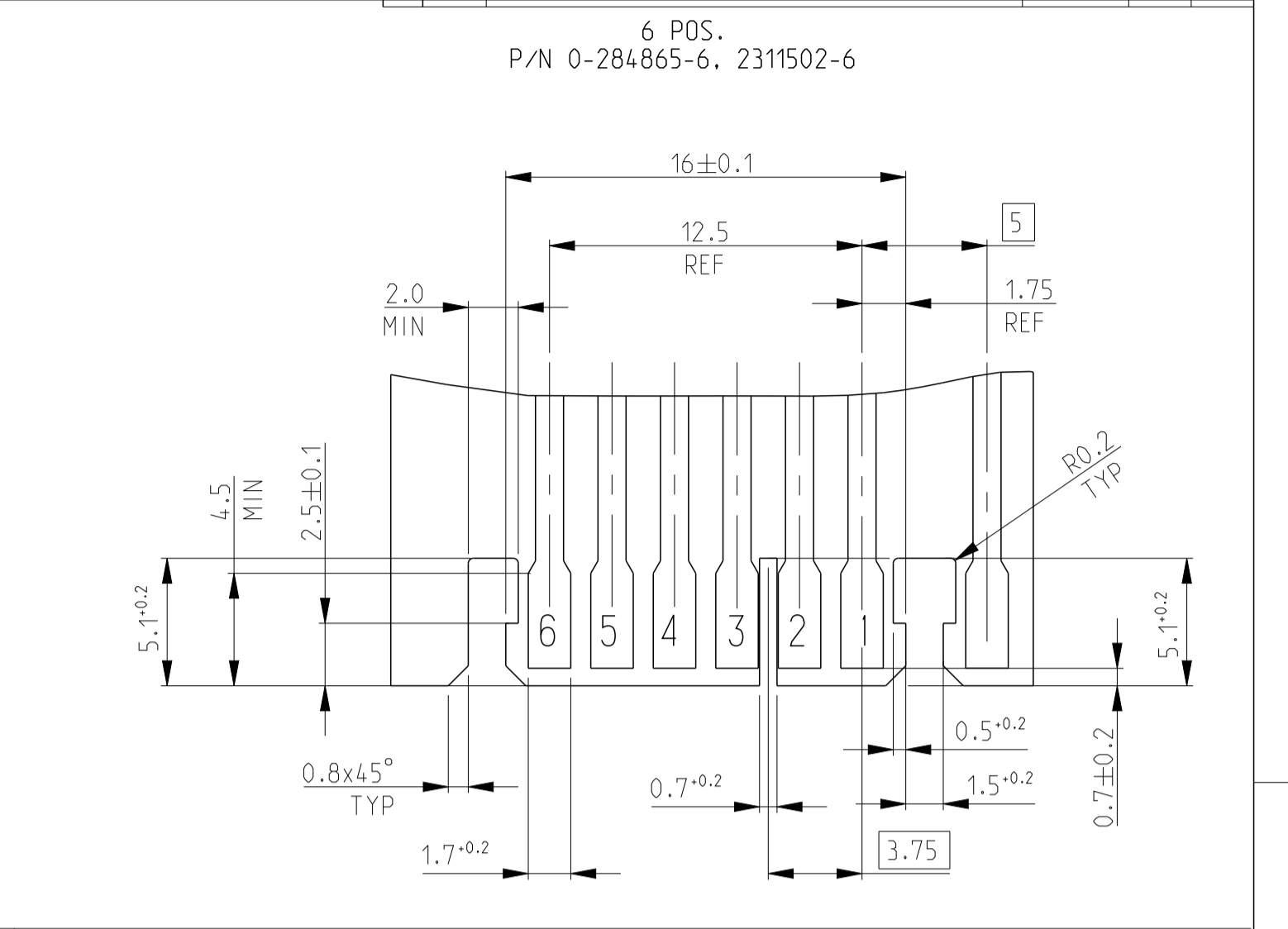
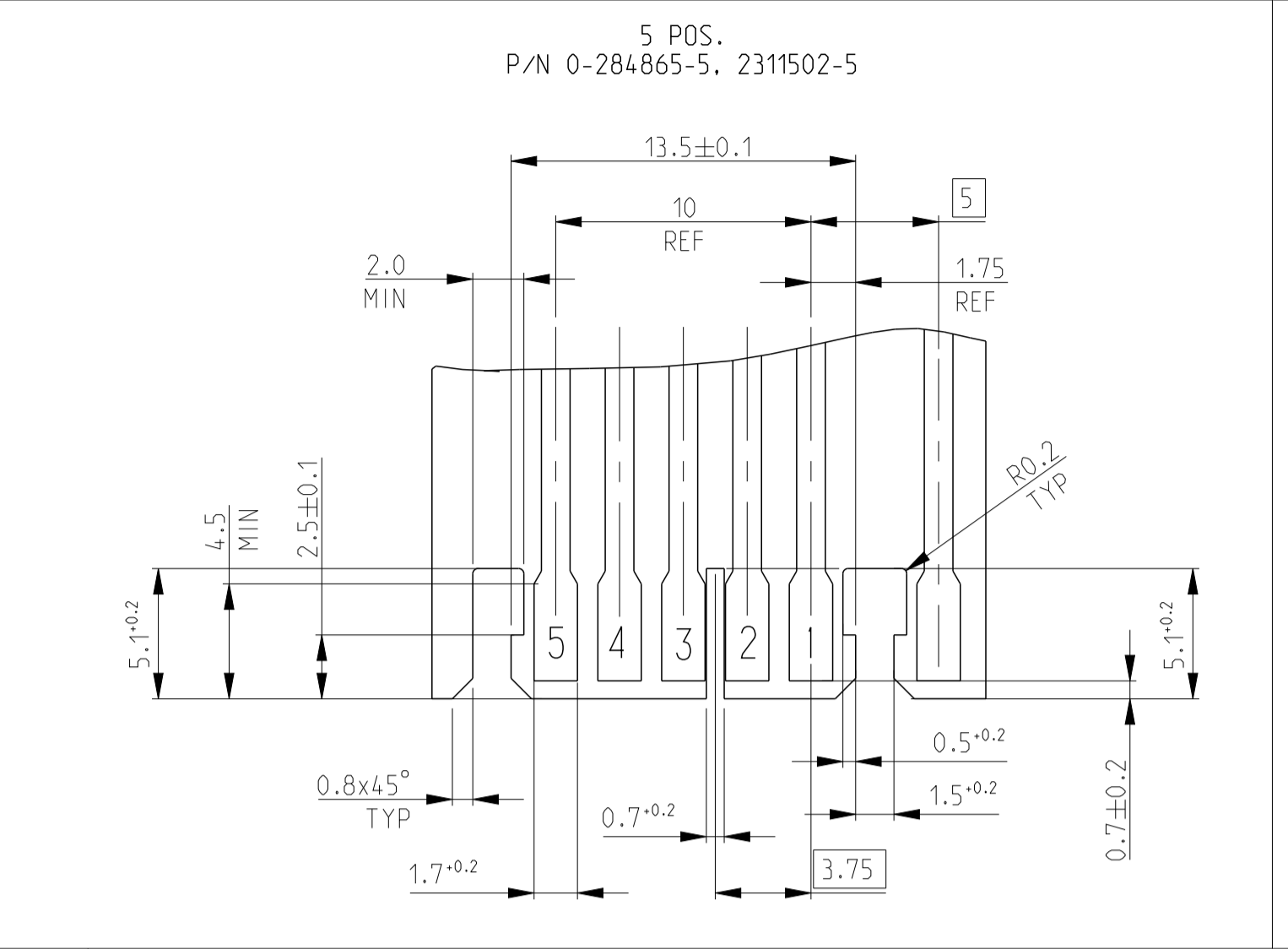
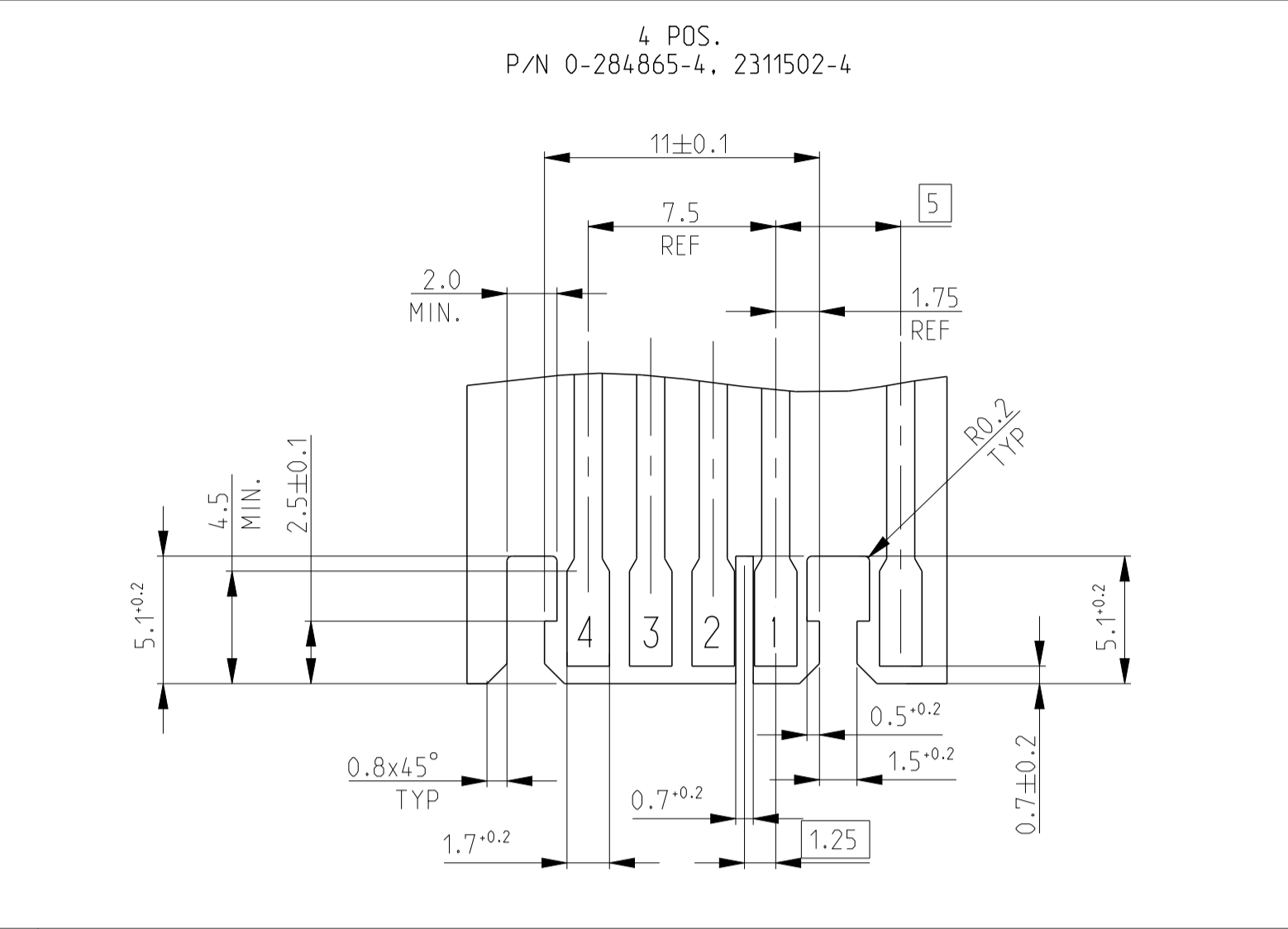
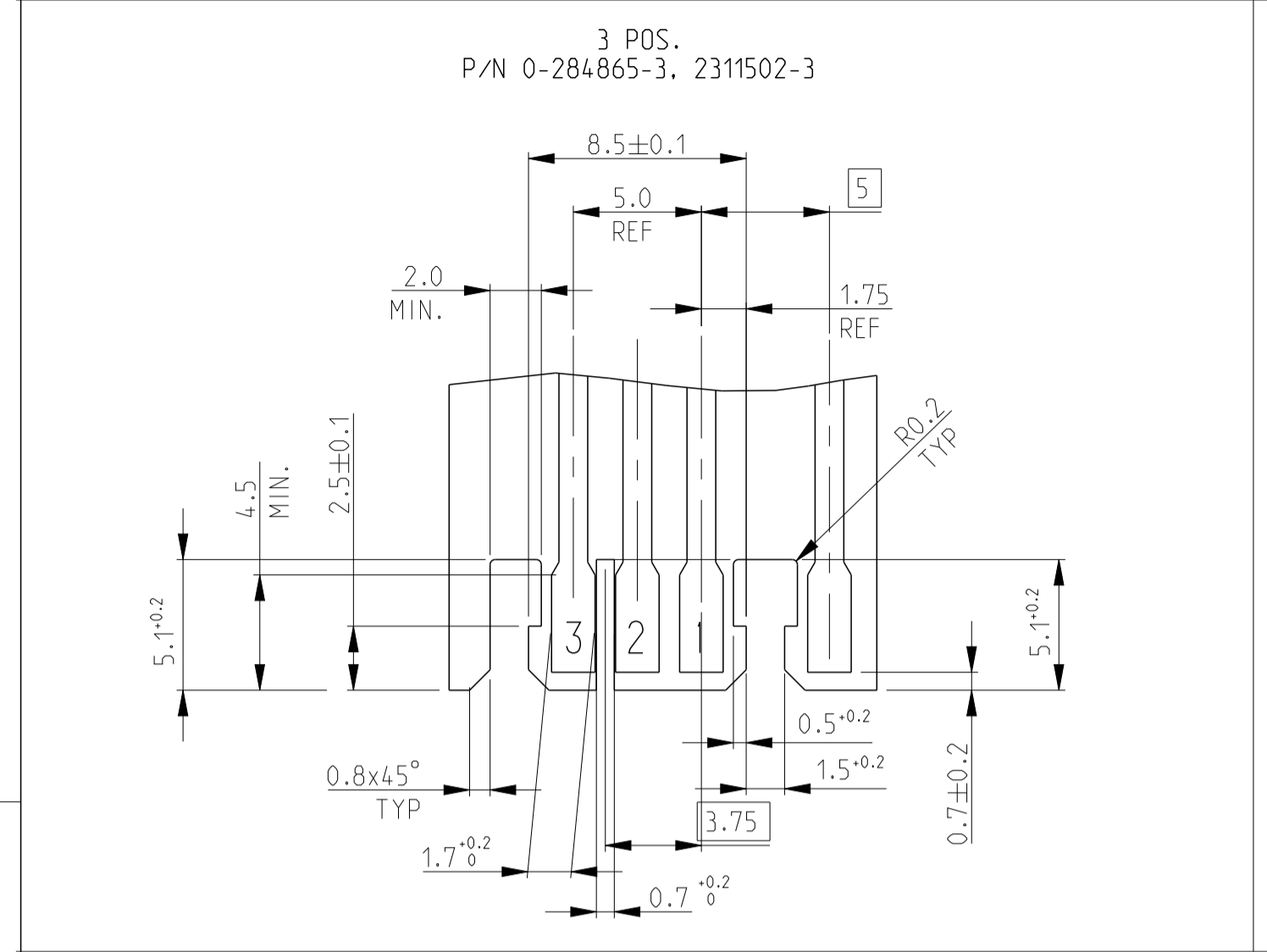
COLOUR CODE	POLARIZ. RIB POS.	HSG POS.	DIM.A	DIM.B	TE P/N	TE P/N
BLACK	13/14	14	32.5	37.4	1-284865-4	2311503-4
RED	11/12	12	27.5	32.4	2-284865-2	1-2311503-2
BLACK	2/3	10	22.5	27.4	1-284865-2	2311503-2
RED	9/10	8	17.5	22.4	2-284865-0	2-2311502-0
BLACK	2/3	9	20.0	24.9	0-284865-9	2311502-9
RED	3/4	7	15.0	19.9	2-284865-8	1-2311502-8
BLACK	2/3	5	10.0	14.9	0-284865-7	2311502-7
-	5/6	6	12.5	17.4	5-284865-6	4-2311502-6
ORANGE	5/6	-	-	-	4-284865-6	3-2311502-6
OBSOLETE	BLUE	1/2	-	-	3-284865-6	-
RED	4/5	-	-	-	2-284865-6	1-2311502-6
BLACK	2/3	-	-	-	0-284865-6	2311502-6
GREY	1/2	-	-	-	3-284865-5	2-2311502-5
RED	3/4	-	-	-	2-284865-5	1-2311502-5
BLACK	2/3	-	-	-	0-284865-5	2311502-5
RED	3/4	-	-	-	3-284865-4	1-2311502-4
OBSOLETE	RED	N/A	-	-	2-284865-4	-
BLACK	1/2	4	7.5	12.4	0-284865-4	2311502-4
RED	1/2	3	5.0	9.9	2-284865-3	1-2311502-3
BLACK	2/3	-	-	-	0-284865-3	2311502-3

P/N 0-284865-4 AS SHOWN

-		-		THIS DRAWING IS A CONTROLLED DOCUMENT.		DMN R. FABRIS 03JUL2002		TE Connectivity	
SEE TABLE	PH. BRONZE, TIN PLATED	IDC RECEPTACLE CONTACT	2	DIMENSIONS: mm	TOLERANCES UNLESS OTHERWISE SPECIFIED:	APVD	GT TURCO	NAME	DUOPLUG 2.5 FEMALE CONN., SIDE LOCKING KEYPED (FULLY LOADED)
Q.TY	MATERIAL	DESCRIPTION	ITEM	0 PLC ±0.2 1 PLC ±0.2 2 PLC ±0.2 3 PLC ±0.2 4 PLC ±0.2 ANGLES ±1°		PRODUCT SPEC	108-20238	SIZE	A1
1				MATERIAL SEE TABLE		APPLICATION SPEC	116-18049-1	CAGE CODE	00779
0.141 PER ASSEMBLATO 0.141 PER REV ASSY		REVISIONE DELL'ASSEMBLATO (REVISION OF EACH ASSY NO)		FINISH SEE TABLE		RESTRICTED TO	-	SCALE	10:1
		ELENCO DEI COMPONENTI (PARTS LIST)				Customer Drawing		SHEET	1 OF 4
								REV	B

PCB LAYOUT -Soldering side-
 (SCALE 4:1)

LOC		DIST		REVISIONS			
P	LTN	DATE	OWN	APVD	DESCRIPTION		
-	-	-	-	-	SEE SHEET 1		



THIS DRAWING IS A CONTROLLED DOCUMENT. OWN R. FABRIS 03JUL2002
 CHK -
 DIMENSIONS: mm
 TOLERANCES UNLESS OTHERWISE SPECIFIED:
 0 PLC # # # # #
 1 PLC # # # # #
 2 PLC # # # # #
 3 PLC # # # # #
 4 PLC # # # # #
 ANGLES # # # # #
 MATERIAL SEE TABLE
 FINISH SEE TABLE

Customer Drawing

APVD E. TURCO
 PRODUCT SPEC
 108-20238
 APPLICATION SPEC
 116-18049-1
 WEIGHT -

NAME
 DUOPLUG 2.5 FEMALE CONN.,
 SIDE LOCKING
 KEYED (FULLY LOADED)

SIZE CAGE CODE DRAWING NO RESTRICTED TO
 A1 00779 C=284865 -

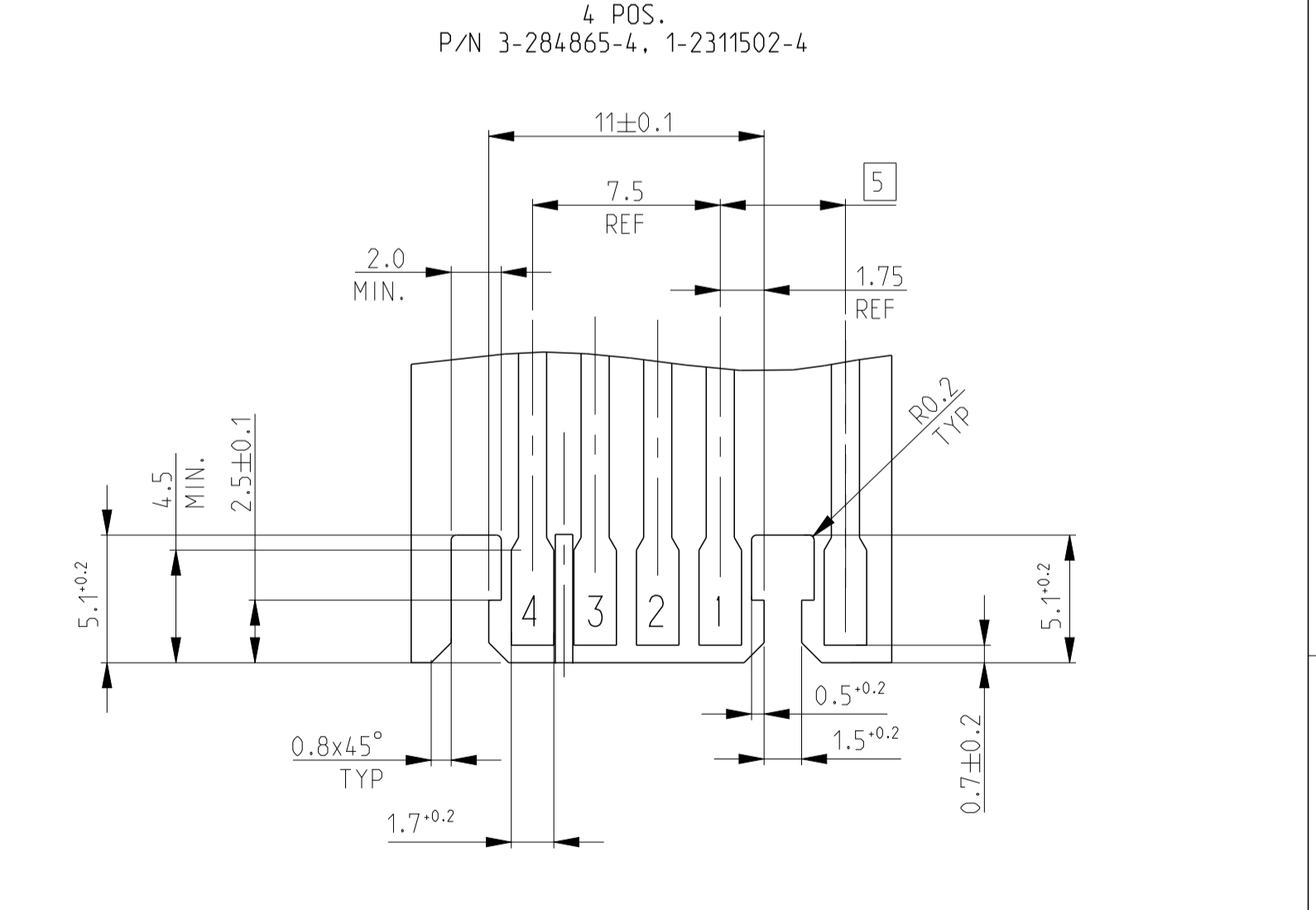
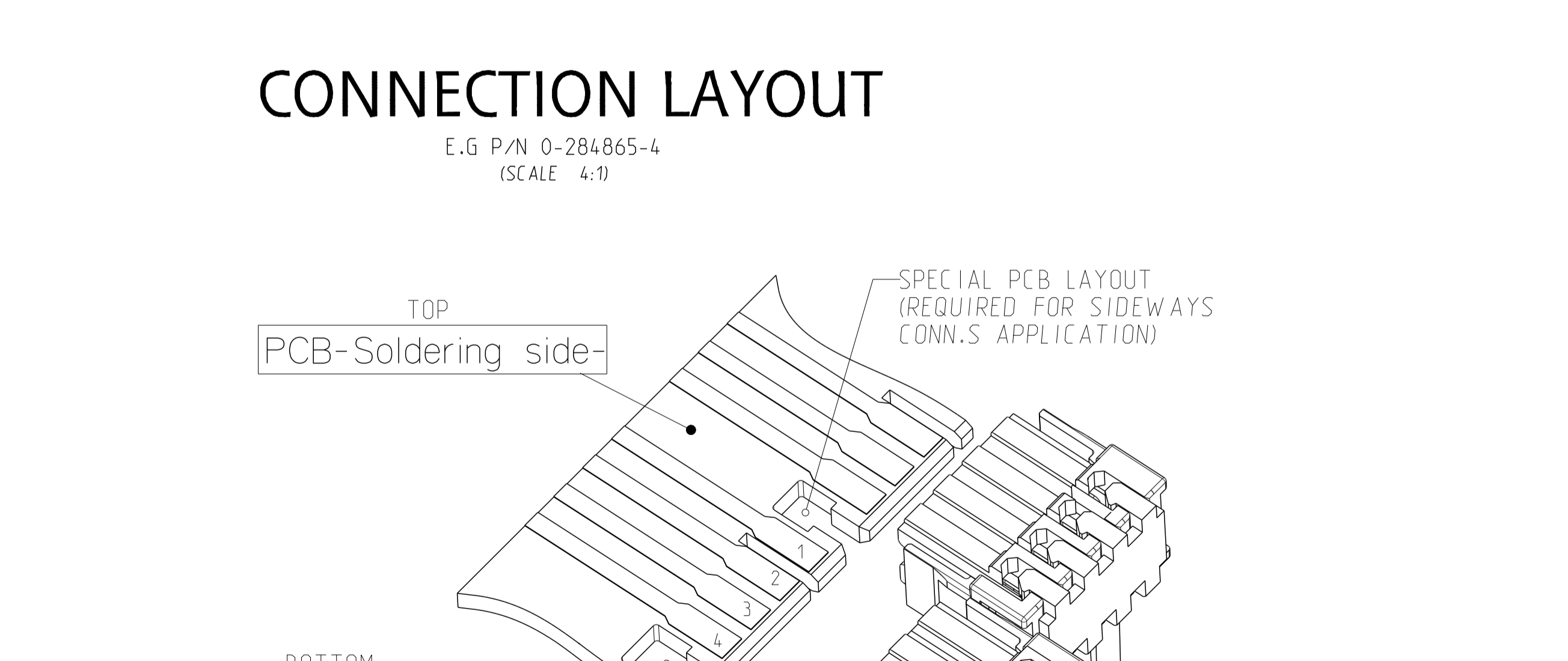
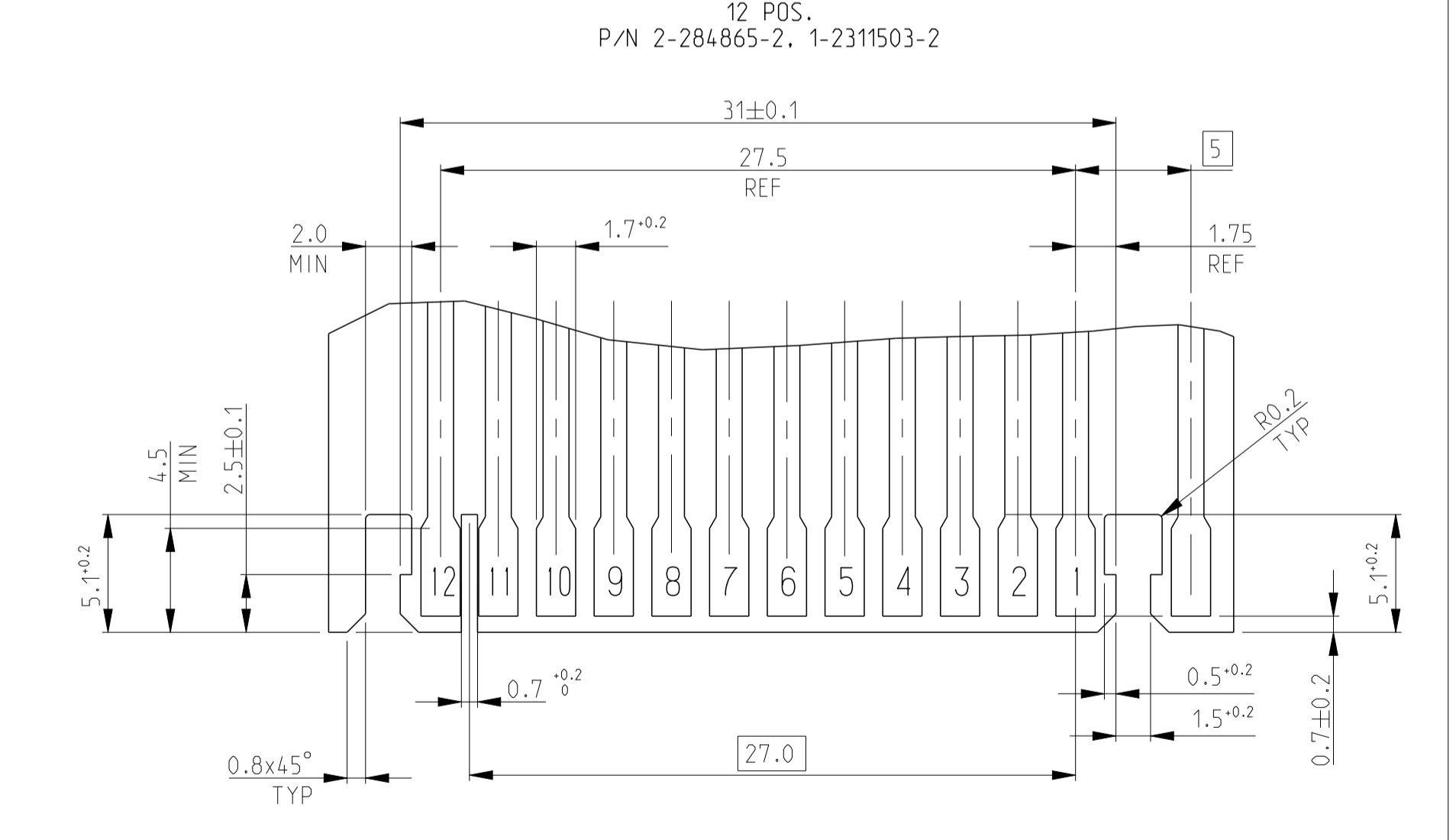
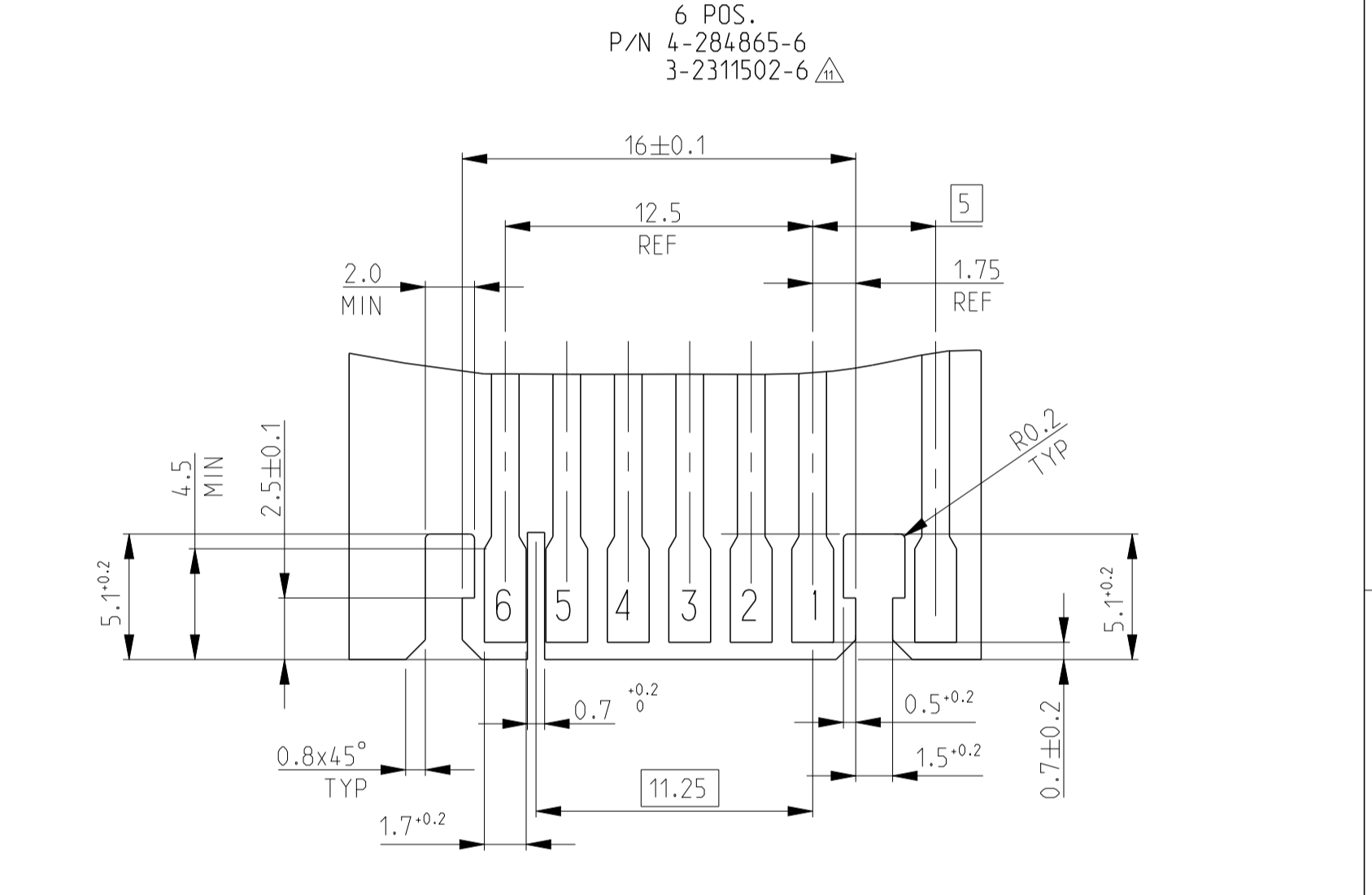
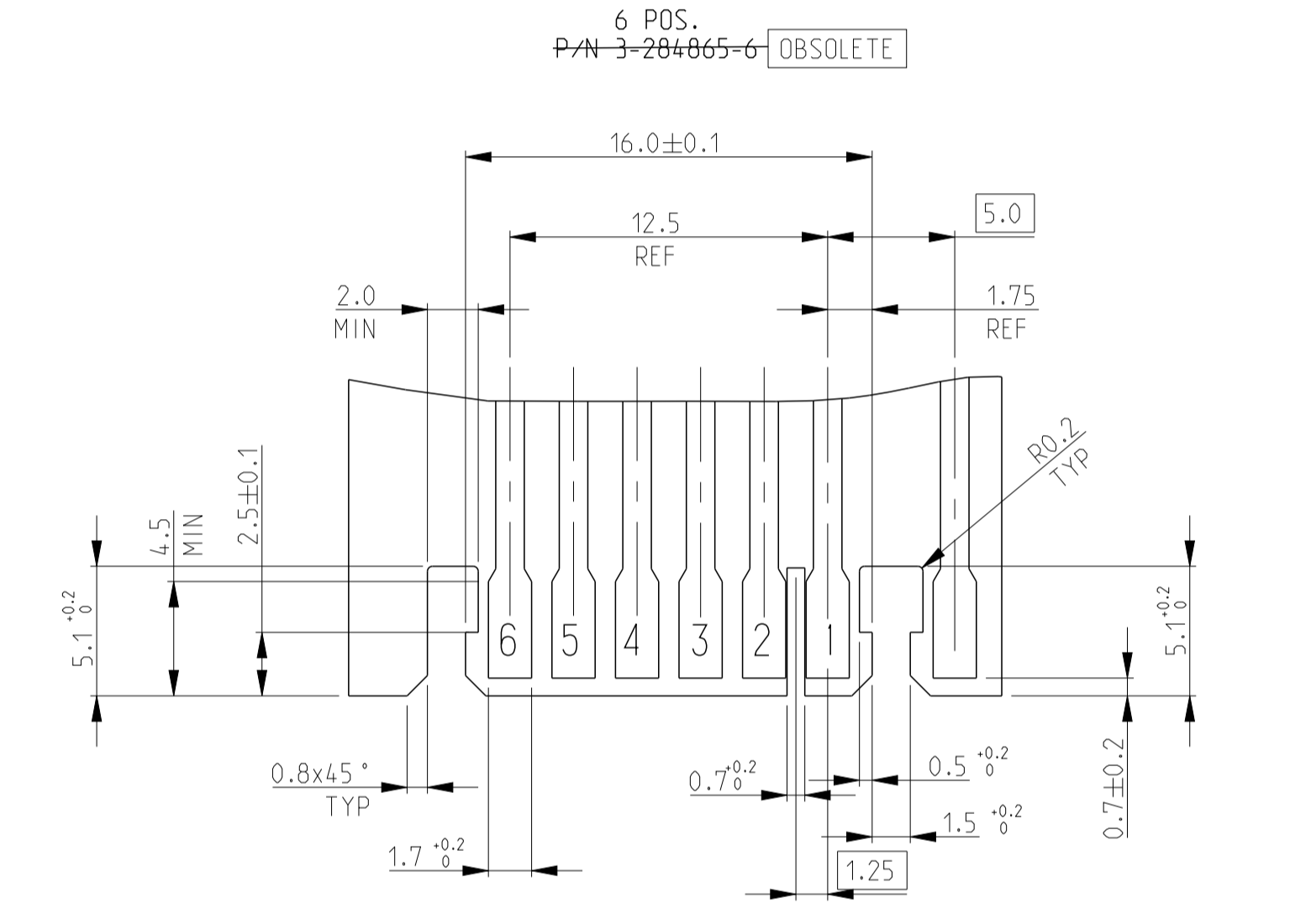
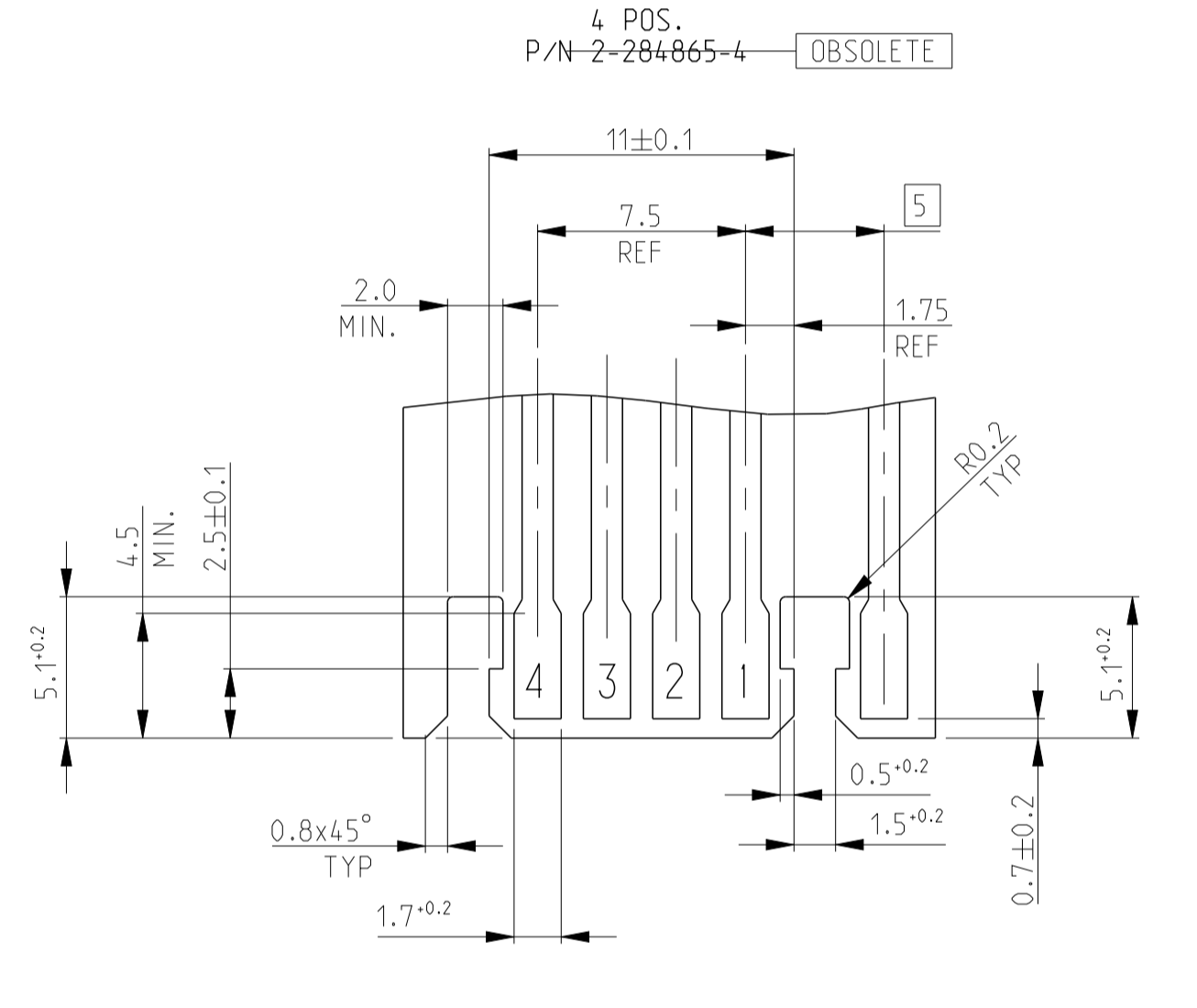
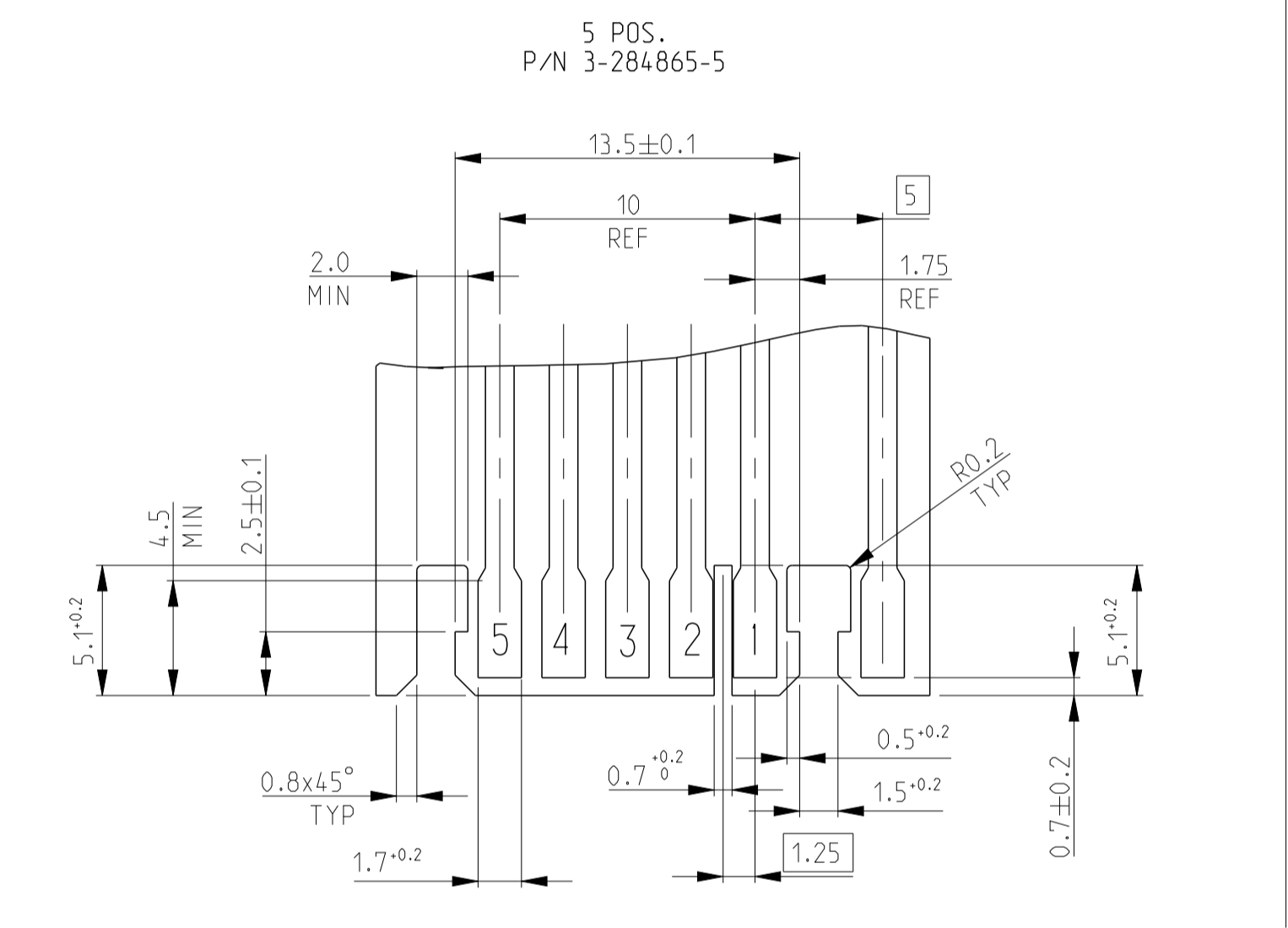
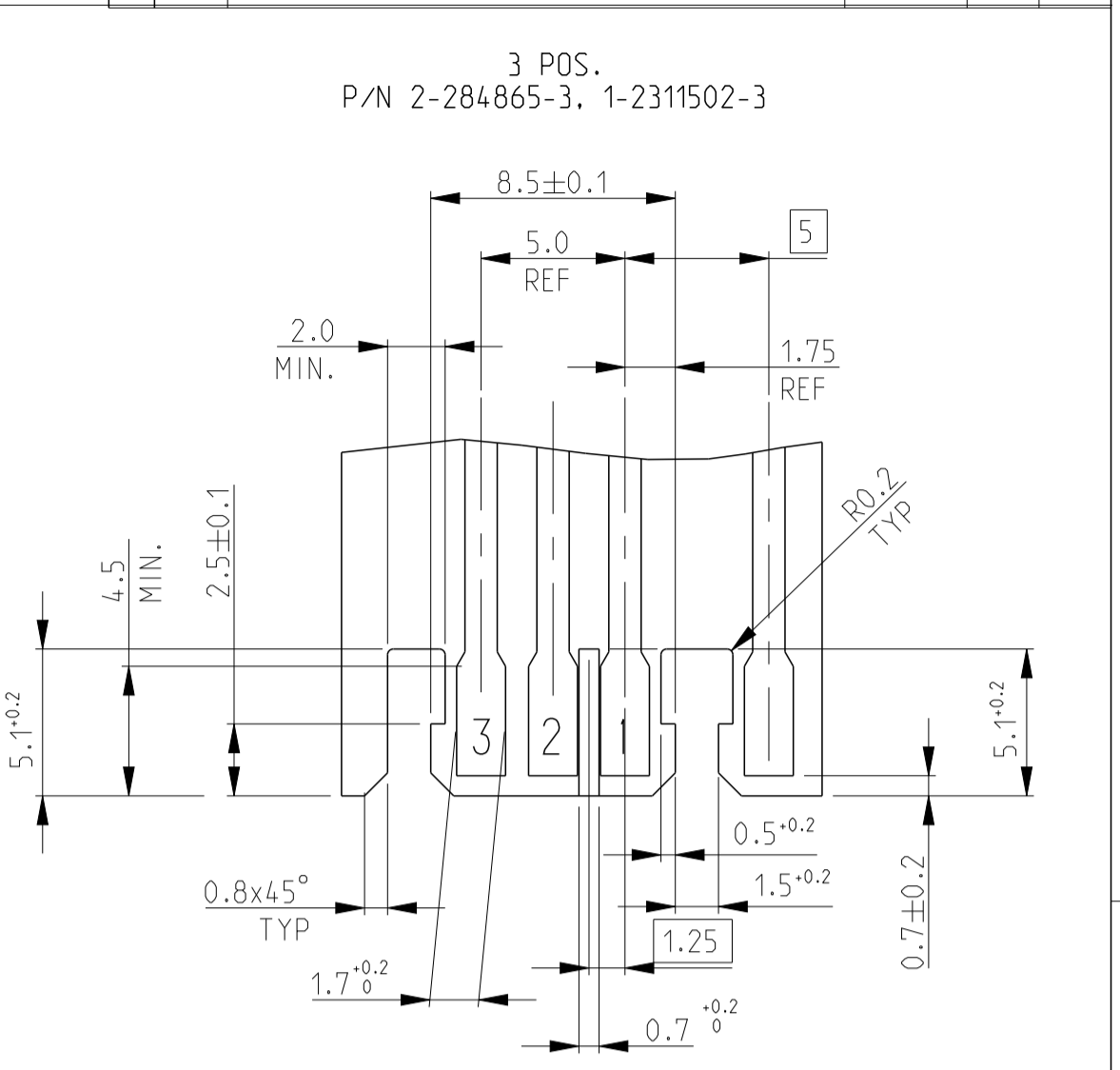
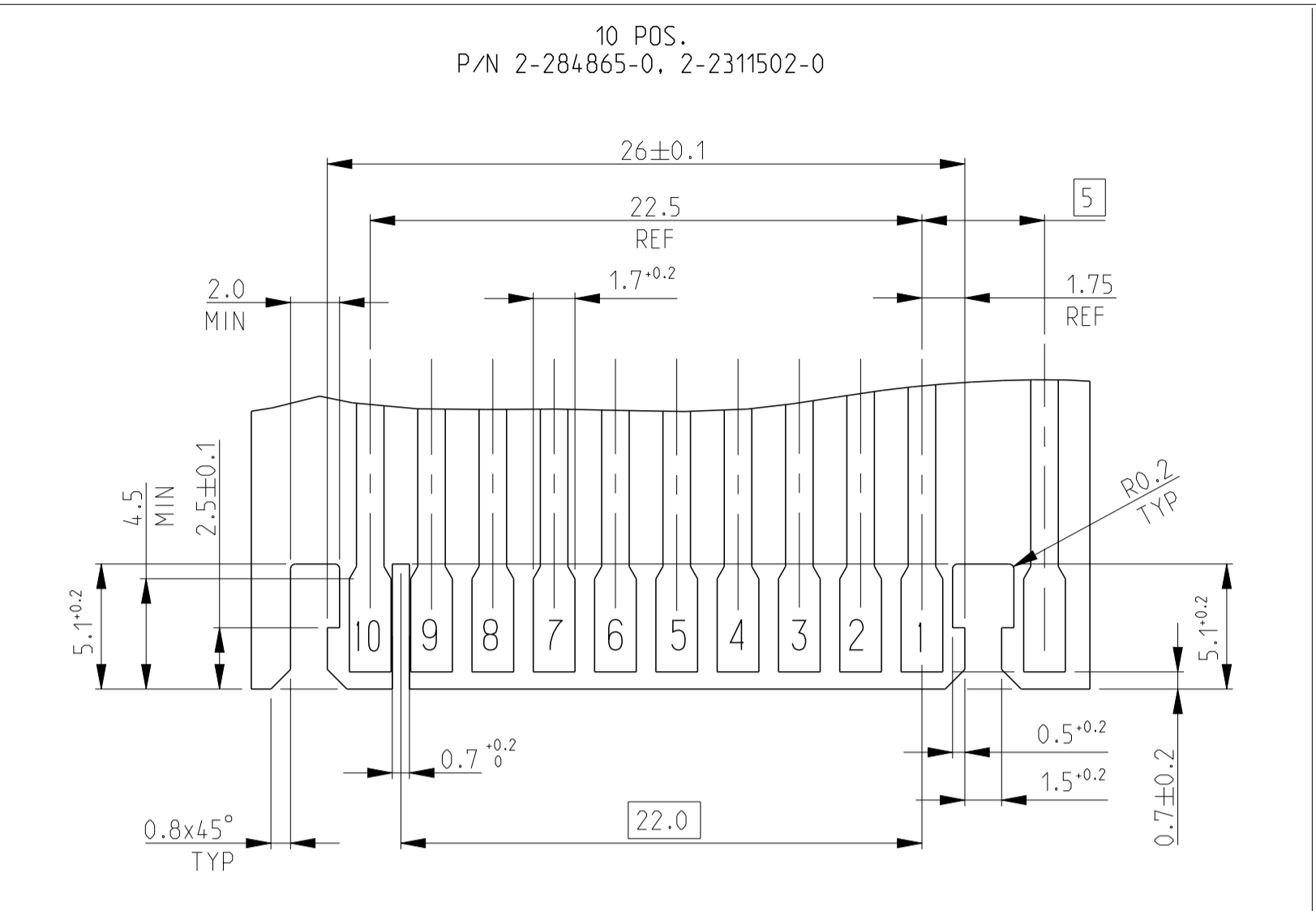
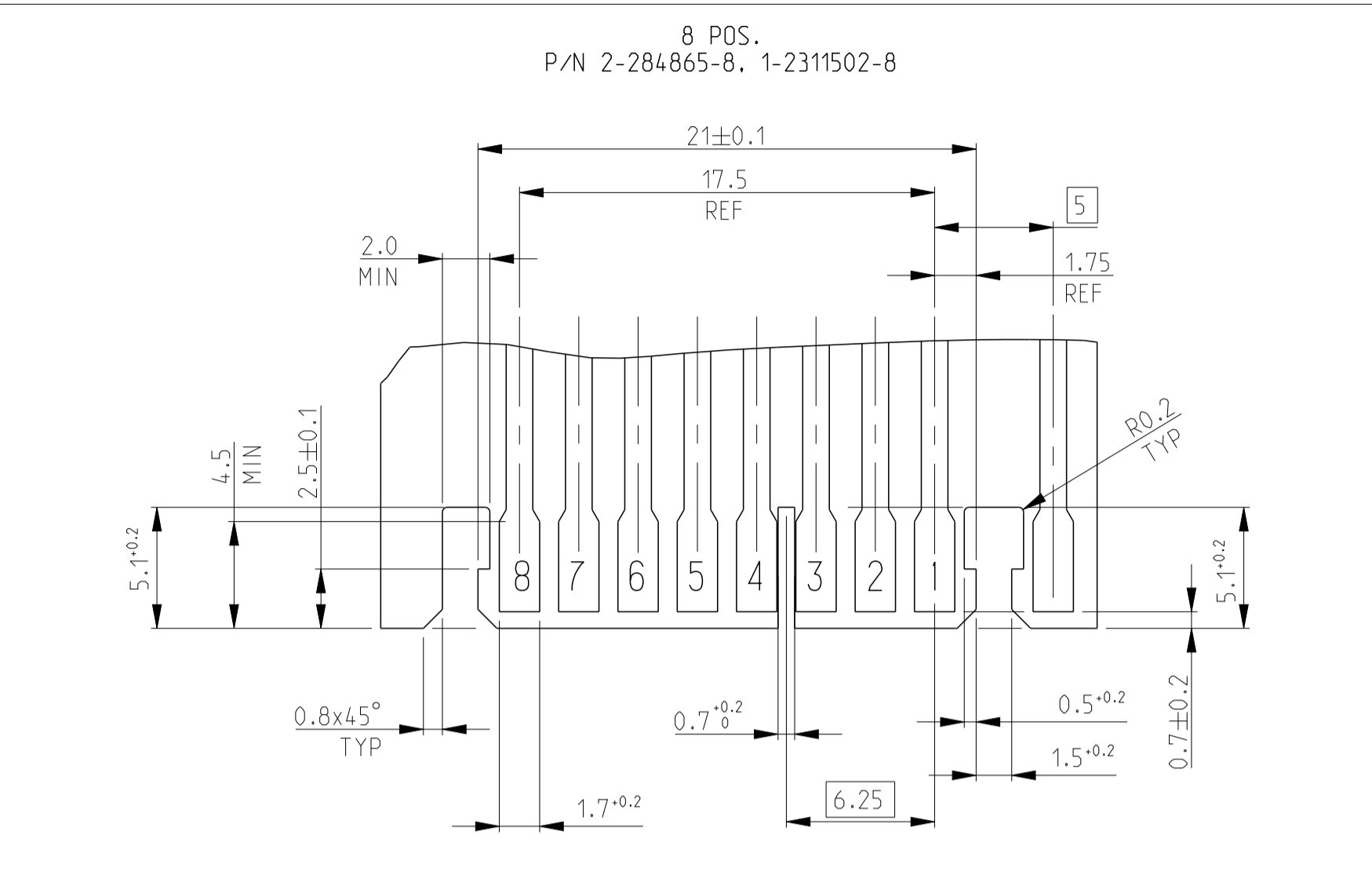
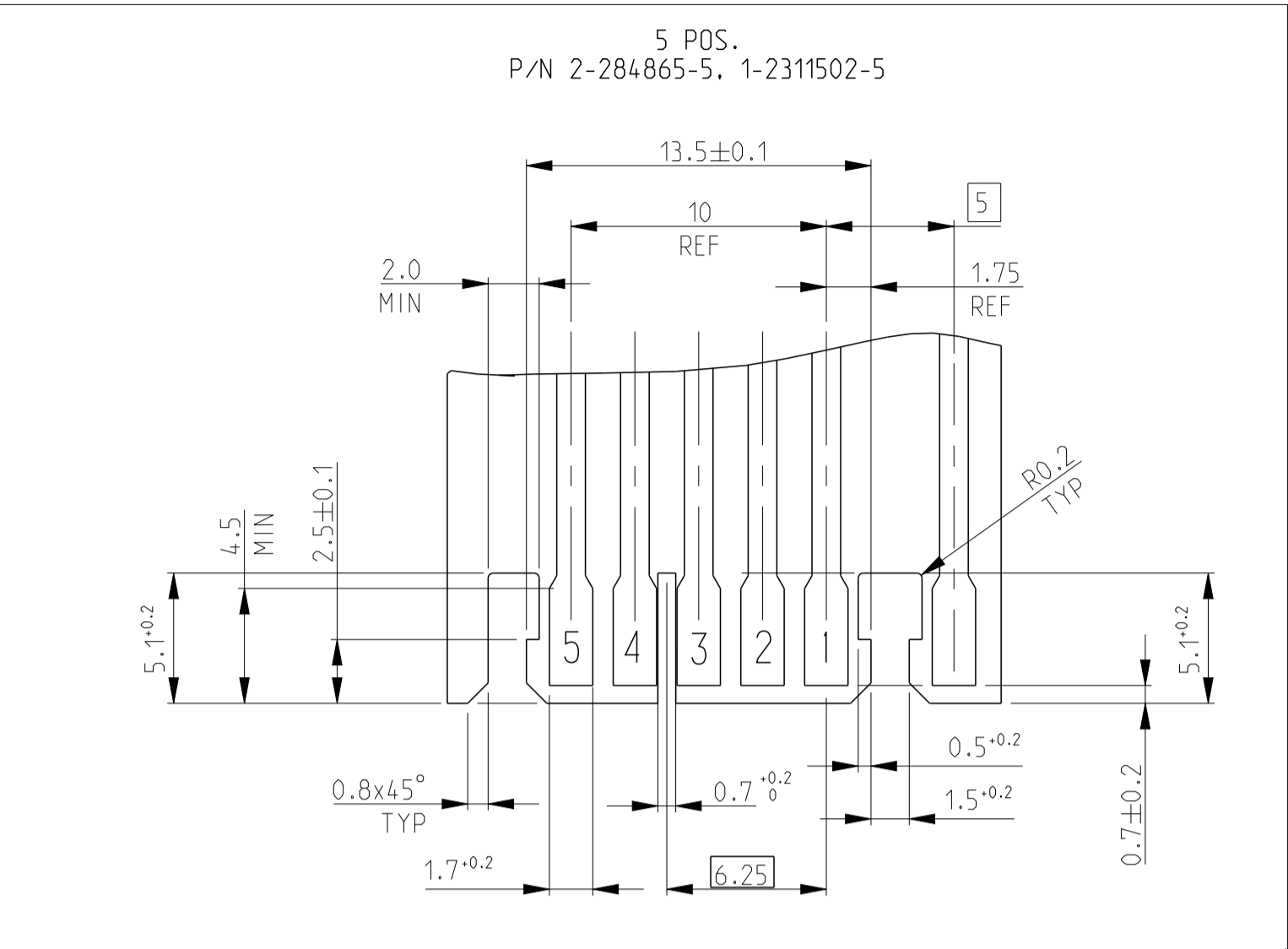
SCALE 10:1 SHEET 2 OF 4 REV B

STE TE Connectivity

LOC	DIST	REV	DESCRIPTION	DATE	OWN	APPV
-	-	1	SEE SHEET 1	-	-	-

PCB LAYOUT -Soldering side-

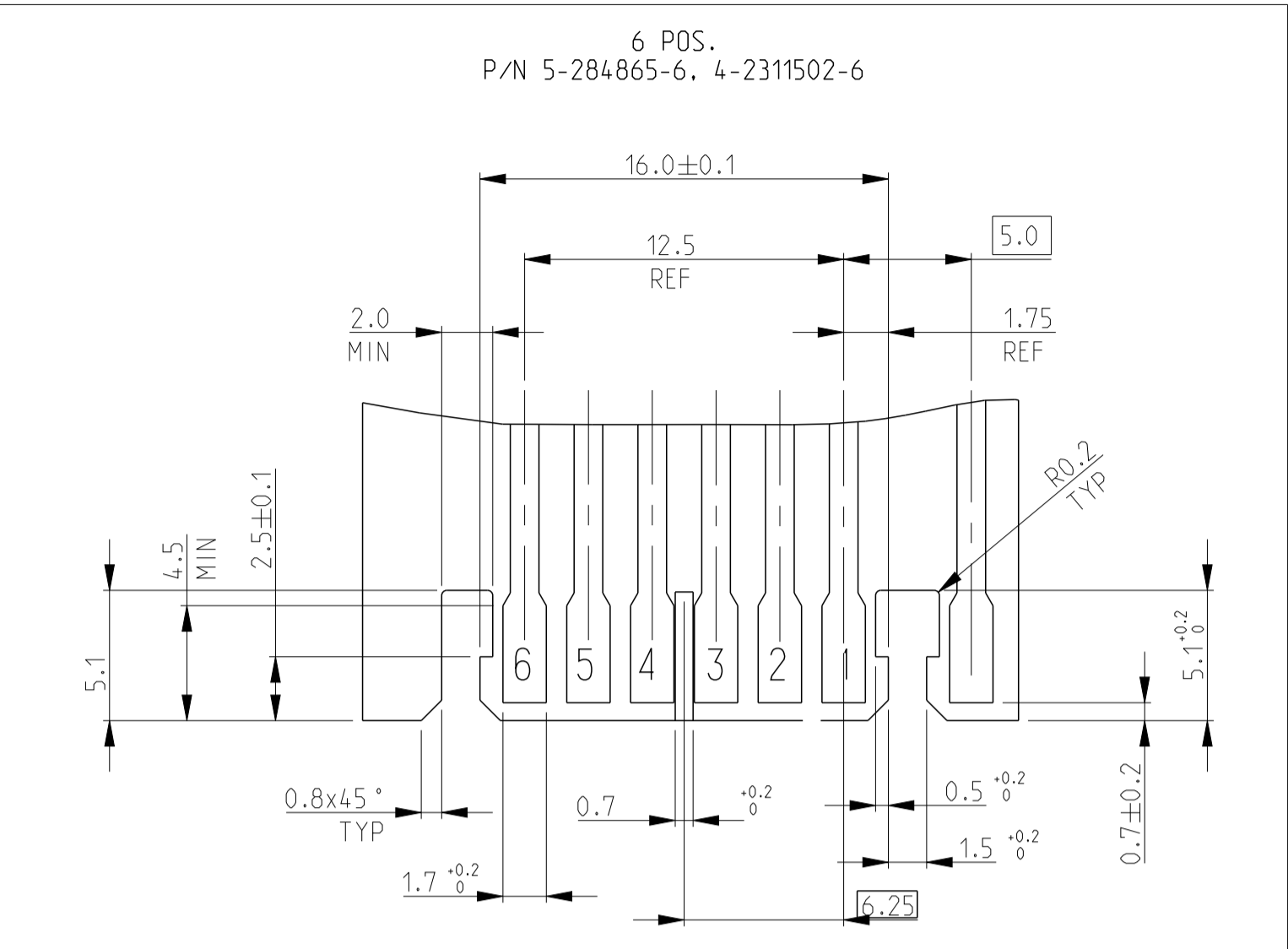
(SCALE 4:1)




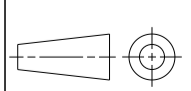
THIS DRAWING IS A CONTROLLED DOCUMENT.		OWN: R. FABRIS	03JUL2002	TE Connectivity	
DIMENSIONS: mm		TOLERANCES UNLESS OTHERWISE SPECIFIED:			
0 PLC # # # # 2 PLC # # # # 3 PLC # # # # 4 PLC # # # # ANGLES # # # # °		APV: EG TURCO PRODUCT SPEC 108-20238 APPLICATION SPEC 116-18049-1		NAME: DUOPLUG 2.5 FEMALE CONN., SIDE LOCKING KEYS (FULLY LOADED) SIZE: A1 CAGE CODE: 00779 DRAWING NO: 284865	
MATERIAL: SEE TABLE		FINISH: SEE TABLE		WEIGHT: - RESTRICTED TO: - Customer Drawing	
SCALE: 10:1				SHEET 3 OF 4	

PCB LAYOUT -Soldering side-

(SCALE 4:1)



LOC		DIST		REVISIONS			
		P	LTH	DESCRIPTION	DATE	DWN	APVD
		-		SEE SHEET 1	-	-	-

THIS DRAWING IS A CONTROLLED DOCUMENT.		DWN R. FABRIS	03JUL2002	 TE Connectivity	
DIMENSIONS: mm		CHK -	APVD G. TURCO		
		TOLERANCES UNLESS OTHERWISE SPECIFIED: 0 PLC ± 1 PLC ± 2 PLC ± 3 PLC ± 4 PLC ± ANGLES ±°		PRODUCT SPEC 108-20238 APPLICATION SPEC 116-18049-1	RESTRICTED TO
MATERIAL SEE TABLE	FINISH SEE TABLE	WEIGHT -	SIZE A1	CAGE CODE 00779	DRAWING NO C=284865
Customer Drawing			SCALE 10:1	SHEET 4	OF 4
			REV B		

X-ON Electronics

Largest Supplier of Electrical and Electronic Components

Click to view similar products for [Headers & Wire Housings](#) category:

Click to view products by [TE Connectivity](#) manufacturer:

Other Similar products are found below :

[95000-104TRLF](#) [10135584-644402LF](#) [DF62W-EP2022PCA](#) [95000-106TRLF](#) [DF62W-2022SCA](#) [DF62W-EP2022PC](#) [2203348](#) [DF62W-2022SC](#) [1084018](#) [1029039](#) [1084017](#) [802-10-012-10-002000](#) [1112640](#) [1112639](#) [000-34000](#) [0009482033](#) [0009507031](#) [57102-S06-03LF](#) [57202-S52-04LF](#) [PCN6-15S-2.5E](#) [0039019024](#) [58102-G61-06LF](#) [582553-1](#) [0009508121](#) [0050291907](#) [018731A](#) [LY20-4P-DT1-P1E-BR](#) [02.125.8002.8](#) [60101931](#) [60598-1 \(Cut Strip\)](#) [M1625-3R/100](#) [61062-3](#) [61082-181009](#) [636-1427](#) [638009-1](#) [641938-9](#) [641991-4](#) [644168-1](#) [647662-1](#) [65039-019ELF](#) [65817-002LF](#) [65817-015LF](#) [65863-015LF](#) [66207-023LF](#) [67016-026LF](#) [67046-001LF](#) [67095-007LF](#) [68002-116](#) [68016-236H](#) [68648-049](#)