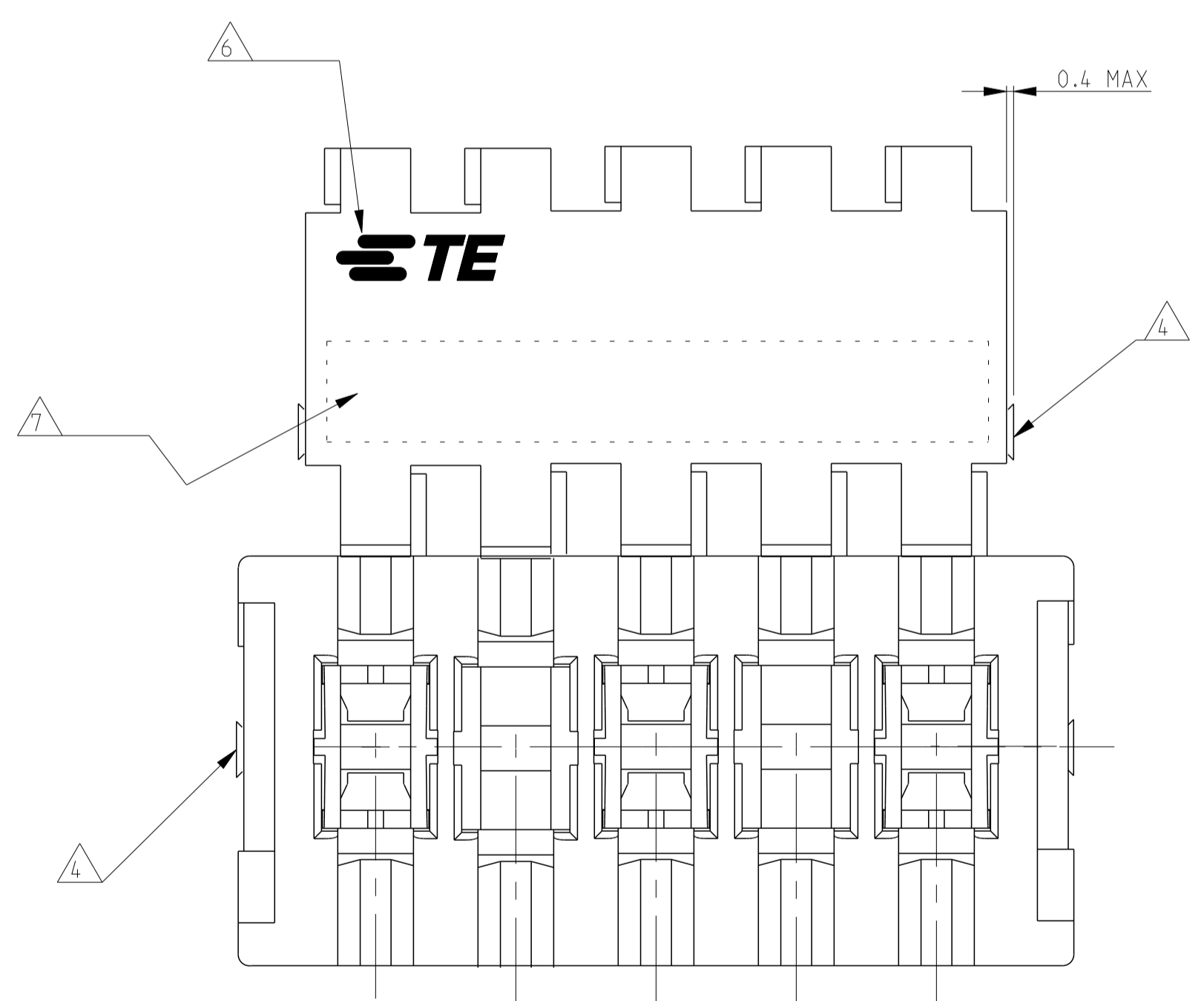
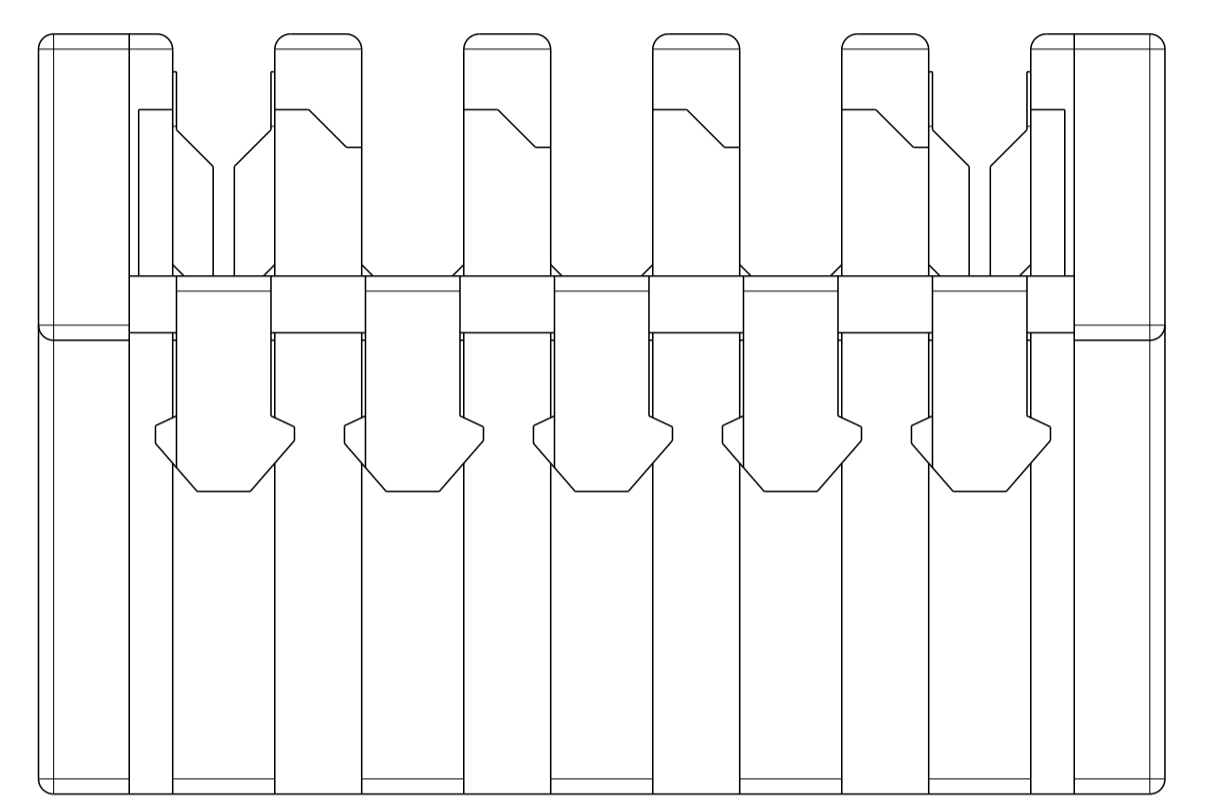
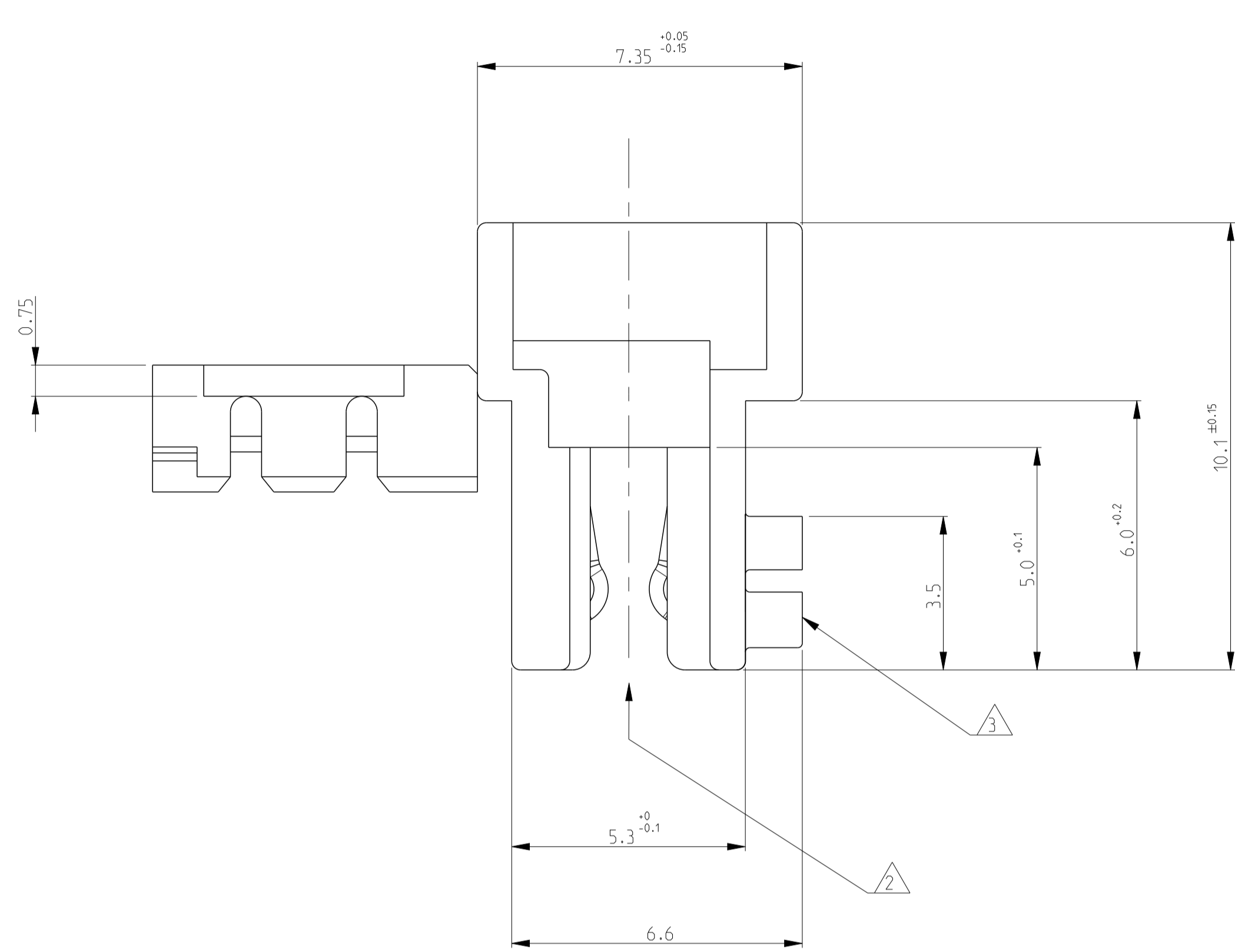
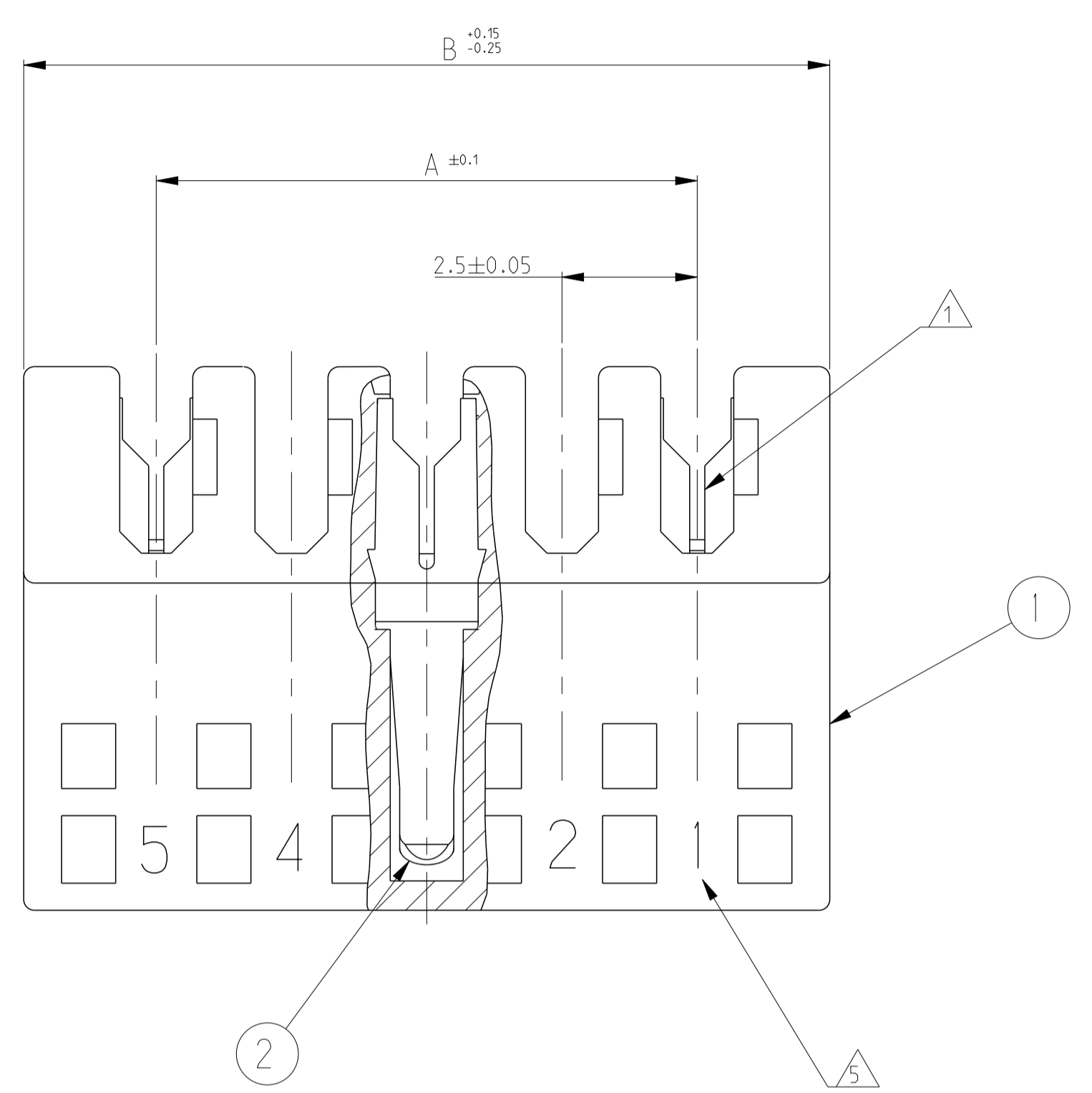
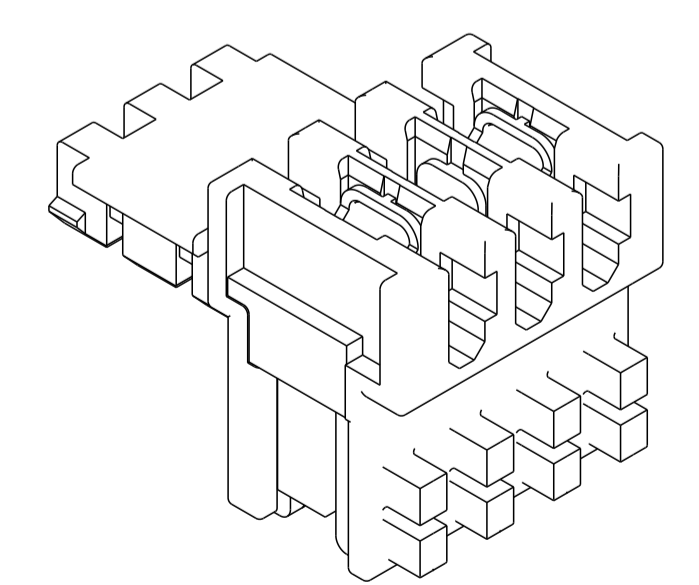


LOC		DIST		REVISIONS			
P	LTN	DESCRIPTION	DATE	DMN	APVD		
A21		ECR-17-009651	19 JUL 2017	RS	DC		
A22		REVISED PER ECR-18-017204	21 NOV 2018	BW	DC		
A23		ECR-19-009970	22 JUL 2019	SM	FL		
B		ECR-19-015552	18 DEC 2019	KD	FL		



- 1 WIRE RANGE : STRANDED 0.22-0.35 mm² (INS. DIA. 1.30±0.1)
- 2 MATING PART: TAB HEADER P/Ns 1971921, 1971922 AND EQUIVALENT;
PCB FRAME P/N 964575 (PCB THK 1.5±0.14 COPPER CLADDING INCLUDED)
SEE PRODUCT SPEC. 108-18056 FOR FRAME APPLICATION
- 3 KEYING RIBS TO BE REMOVED BY TERMINATION MACHINE
- 4 CUT OFF DIMENSION DUE TO PRODUCTION PROCESS
- 5 CIRCUIT No. IDENTIFICATION
- 6 TE TRADEMARK (OPTIONAL POSITION)
- 7 TAMPOGRAPHIC COLOUR CODE AREA
(P/Ns IDENTIFICATION BEFORE CRIMPING)
- 8 PRELIMINARY PART NOT YET RELEASED FOR PRODUCTION
- 9 PBT GF
- 10 PBT GF, UL94-V0 & GWEP7 750 NO-FLAME, NATURAL



3D VIEW FOR REF. ONLY
 3 POS. PN 0-284931-3 AS SHOWN
 SCALE 5:1

COLOUR CODE	CONTACT LOADING	HSG POS.	KEYING	DIM.A	DIM.B	TE P/N	TE P/N
BLUE	SELECTIVELY 1,2,3,4,5,6,7,8,9,10,11,13	13	2/3	30.0	34.9	1-284931-3	2311506-3
BLUE	SELECTIVELY 1,3,5,7,9,11	11	-	25.0	29.9	1-284931-1	2-2311506-1
BLUE	SELECTIVELY 1,3,5,7,8,10	10	-	22.5	27.4	1-284931-0	1-2311505-0
GREEN	SELECTIVELY 1,3,4,6,7,8,9	9	-	20.0	24.9	2-284931-9	3-2311505-9
BLUE	SELECTIVELY 1,2,4,6,7,9					0-284931-9	2-2311505-9
GREEN	SELECTIVELY 1,3,4,6,7,8	8	-	17.5	22.4	2-284931-8	1-2311505-8
BLUE	SELECTIVELY 1,2,3,5,6,8					0-284931-8	2311505-8
GREEN	SELECTIVELY 1,3,5,6,7	7	-	15.0	19.9	2-284931-7	2-2311505-7
BLUE	SELECTIVELY 1,3,5,7					0-284931-7	1-2311505-7
BLUE	SELECTIVELY 1,2,4,6	6	-	12.5	17.4	1-284931-6	2-2311505-6
RED	SELECTIVELY 1,3,4,6					0-284931-6	1-2311505-6
GREEN	SELECTIVELY 1,2,3,5	5	-	10.0	14.9	4-284931-5	4-2311505-5
RED	SELECTIVELY 1,5					3-284931-5	3-2311505-5
-	SELECTIVELY 1,3,5					2-284931-5	2-2311505-5
OBSOLETED BLUE	SELECTIVELY 1,3,5					0-284931-5	-
RED	SELECTIVELY 1,3					5-284931-3	5-2311505-3
ORANGE	SELECTIVELY 1,3	3	-	5.0	9.9	4-284931-3	4-2311505-3
GREEN	SELECTIVELY 1,3					3-284931-3	3-2311505-3
-	SELECTIVELY 1,3					2-284931-3	2-2311505-3
BLUE	SELECTIVELY 1,3					0-284931-3	1-2311505-3

-				THIS DRAWING IS A CONTROLLED DOCUMENT.		DMN R. FABRIS 27/FEB/2004		TE Connectivity	
SEE TABLE	PH. BRONZE, TIN PLATED	IDC RECEPTACLE CONTACT	2	DIMENSIONS: mm	TOLERANCES UNLESS OTHERWISE SPECIFIED:	APVD G. TURCO 27/FEB/2004		NAME DUOPLUG 2.5 FEMALE CONNECTOR (SELECTIVELY LOADED)	
Q.TY	MATERIAL	DESCRIPTION	ITEM	0 PLC ±0.2 1 PLC ±0.2 2 PLC ±0.2 3 PLC ±0.2 4 PLC ±0.2 ANGLES ±°		PRODUCT SPEC 108-18056		SIZE CAGE CODE DRAWING NO RESTRICTED TO	
1		REVISIONE DELL'ASSEMBLATO (REVISION OF EACH ASSY NOI)		MATERIAL SEE TABLE		APPLICATION SPEC 116-18049-1		A1 00779 C=284931	
0.2A PER ASSEMBLATO (BY REV OF ASSY)				ELENCO DEI COMPONENTI (PARTS LIST)		WEIGHT -		SCALE 2:1 SHEET 1 OF 1 REV B	
						CUSTOMER DRAWING			

X-ON Electronics

Largest Supplier of Electrical and Electronic Components

Click to view similar products for [Headers & Wire Housings](#) category:

Click to view products by [TE Connectivity](#) manufacturer:

Other Similar products are found below :

[95000-104TRLF](#) [10135584-644402LF](#) [DF62W-EP2022PCA](#) [95000-106TRLF](#) [DF62W-2022SCA](#) [DF62W-EP2022PC](#) [2203348](#) [DF62W-2022SC](#) [1084018](#) [1029039](#) [1084017](#) [802-10-012-10-002000](#) [1112640](#) [1112639](#) [891-007-9SS-BST1T](#) [000-34000](#) [0008550134](#) [0009482033](#) [0009507031](#) [57102-F02-18ULF](#) [57102-S06-03LF](#) [57202-S52-04LF](#) [PCN6-15S-2.5E](#) [0039019024](#) [58102-G61-06LF](#) [582553-1](#) [0009485154](#) [0009508121](#) [0022285053](#) [0050291907](#) [018731A](#) [LY20-4P-DT1-P1E-BR](#) [02.125.8002.8](#) [60101931](#) [60598-1 \(Cut Strip\)](#) [M1625-3R/100](#) [61062-3](#) [61082-181009](#) [CSU011177004](#) [636-1427](#) [638009-1](#) [641938-9](#) [641991-4](#) [644168-1](#) [644827-2](#) [647662-1](#) [65039-019ELF](#) [65692-001LF](#) [65781-018](#) [65781-047](#)