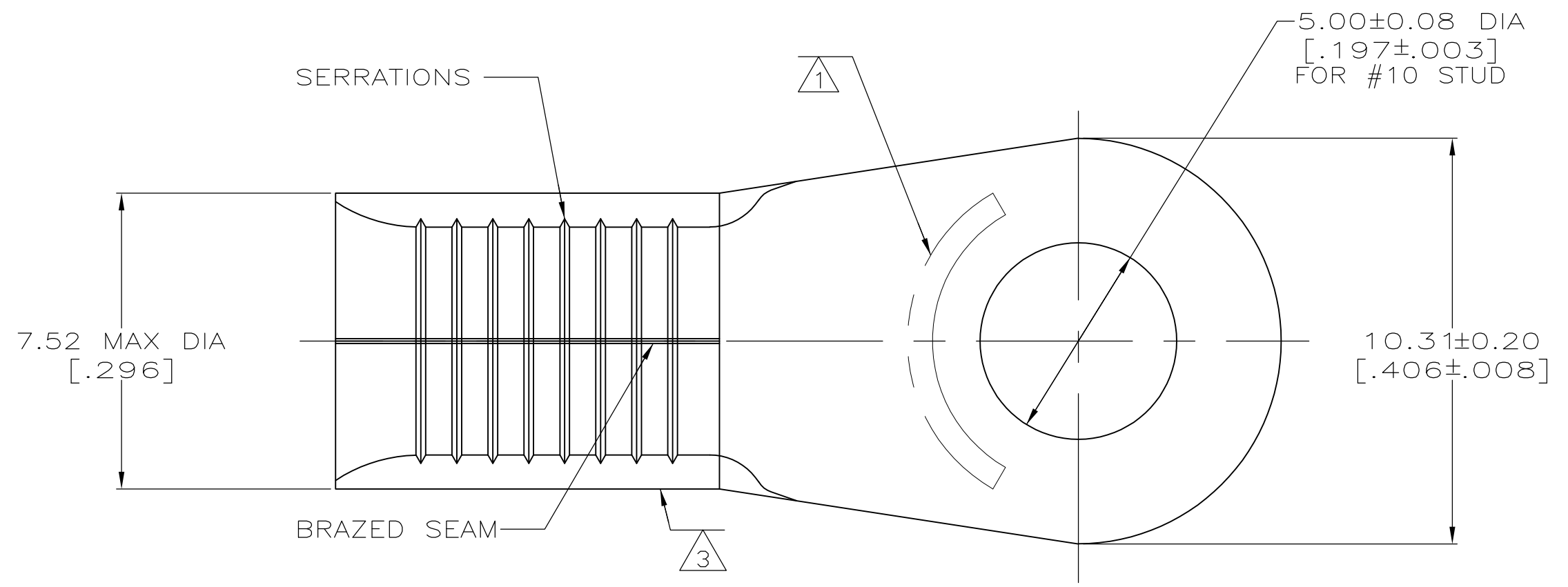


THIS DRAWING IS UNPUBLISHED. RELEASED FOR PUBLICATION
 © COPYRIGHT - By - ALL RIGHTS RESERVED.

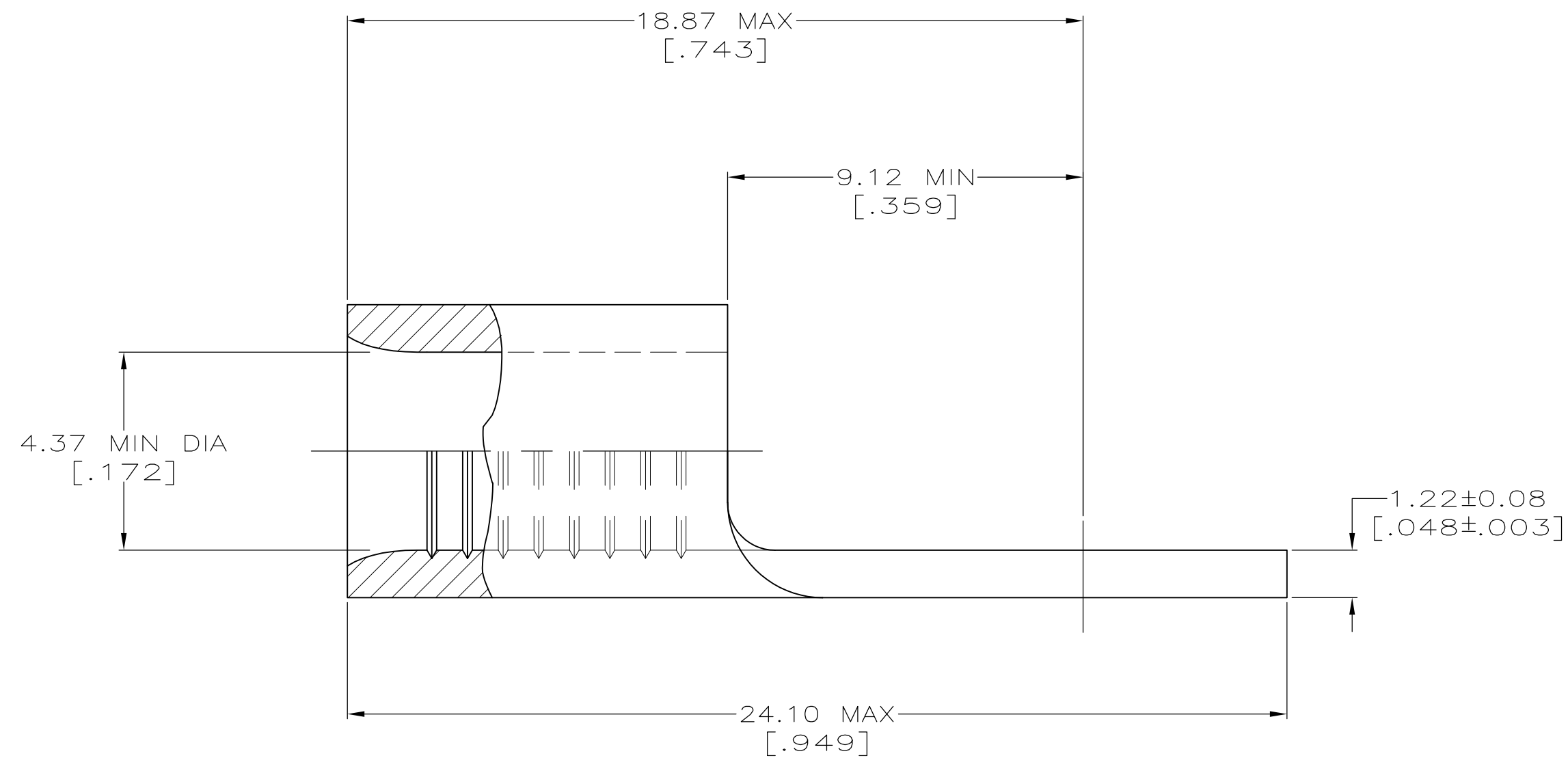
LOC	DIST	REVISIONS			
P	LTR	DESCRIPTION	DATE	OWN	APVD
G	14	C3	REVISED PER ECO-12-005490	21MAR12	KH DR



AMP
 WIRE RANGE

8 AWG
 SOLID OR STRANDED

- 1 STAMP AMP 8 APPROX AS SHOWN
- 2 NICKEL PER ASTM B-162, ANNEALED
- 3 WIRE BARREL COLOR CODED ORANGE TO DENOTE NICKEL MATERIAL



328822
 PART NO.

MAX RECOMMENDED OPERATING TEMPERATURE: 649°C MAX VOLTAGE RATING: N/A CIRCULAR MIL AREA: 6.64-10.5mm ² [13,100-20,800] SOLID OR STRANDED	THIS DRAWING IS A CONTROLLED DOCUMENT.		DWN TA BRINKMAN 3-24-93 CHK DA PATTERSON 3-24-93 APVD JL MECKLEY 3-24-93	STE TE Connectivity NAME TERMINAL, RING TONGUE, HIGH TEMPERATURE, STRATO-THERM	SIZE CAGE CODE DRAWING NO RESTRICTED TO A2 00779 G-328822 -
	DIMENSIONS: mm[INCHES]	TOLERANCES UNLESS OTHERWISE SPECIFIED: 0 PLC ± - 1 PLC ± - 2 PLC ± - 3 PLC ± - 4 PLC ± - ANGLES ± ± - FINISH -	PRODUCT SPEC - APPLICATION SPEC - WEIGHT -		
		MATERIAL 2	CUSTOMER DRAWING	SCALE 8:1 SHEET 1 OF 1 REV C3	

X-ON Electronics

Largest Supplier of Electrical and Electronic Components

Click to view similar products for [Terminals](#) category:

Click to view products by [TE Connectivity](#) manufacturer:

Other Similar products are found below :

[00-054007-01074-6](#) [00-054007-70206-1](#) [00-054007-70210-8](#) [00-054007-70217-7](#) [00-054007-70226-9](#) [00-054007-70228-3](#) [00-054007-70248-1](#) [00-054007-70256-6](#) [00-054007-70301-3](#) [00-054007-70316-7](#) [0-0320562-0](#) [00-054007-49560-4](#) [00-054007-70209-2](#) [00-054007-70225-2](#) [00-054007-70227-6](#) [00-054007-70231-3](#) [00-054007-70241-2](#) [00-054007-70242-9](#) [00-054007-70244-3](#) [00-054007-70246-7](#) [00-054007-70263-4](#) [00-054007-70288-7](#) [00-054007-70290-0](#) [00-054007-70300-6](#) [00-054007-70304-4](#) [01-2065-1-0216](#) [01-2900-1-04412](#) [00581P0075](#) [600TS-10](#) [60205-1](#) [604200-1](#) [605601-1](#) [60598-1-CUT-TAPE](#) [61314-6-C](#) [61810-3](#) [61-S](#) [61-SN](#) [626-0194](#) [62-NBM-A](#) [62-SN](#) [62-SP](#) [63-S](#) [640179-1](#) [M55155/059I03](#) [M55155/079C01](#) [M55155/099H02](#) [M55155/109H01](#) [M55155/109H02](#) [M55155/12XH05](#) [M55155/16XH02](#)