

4

3

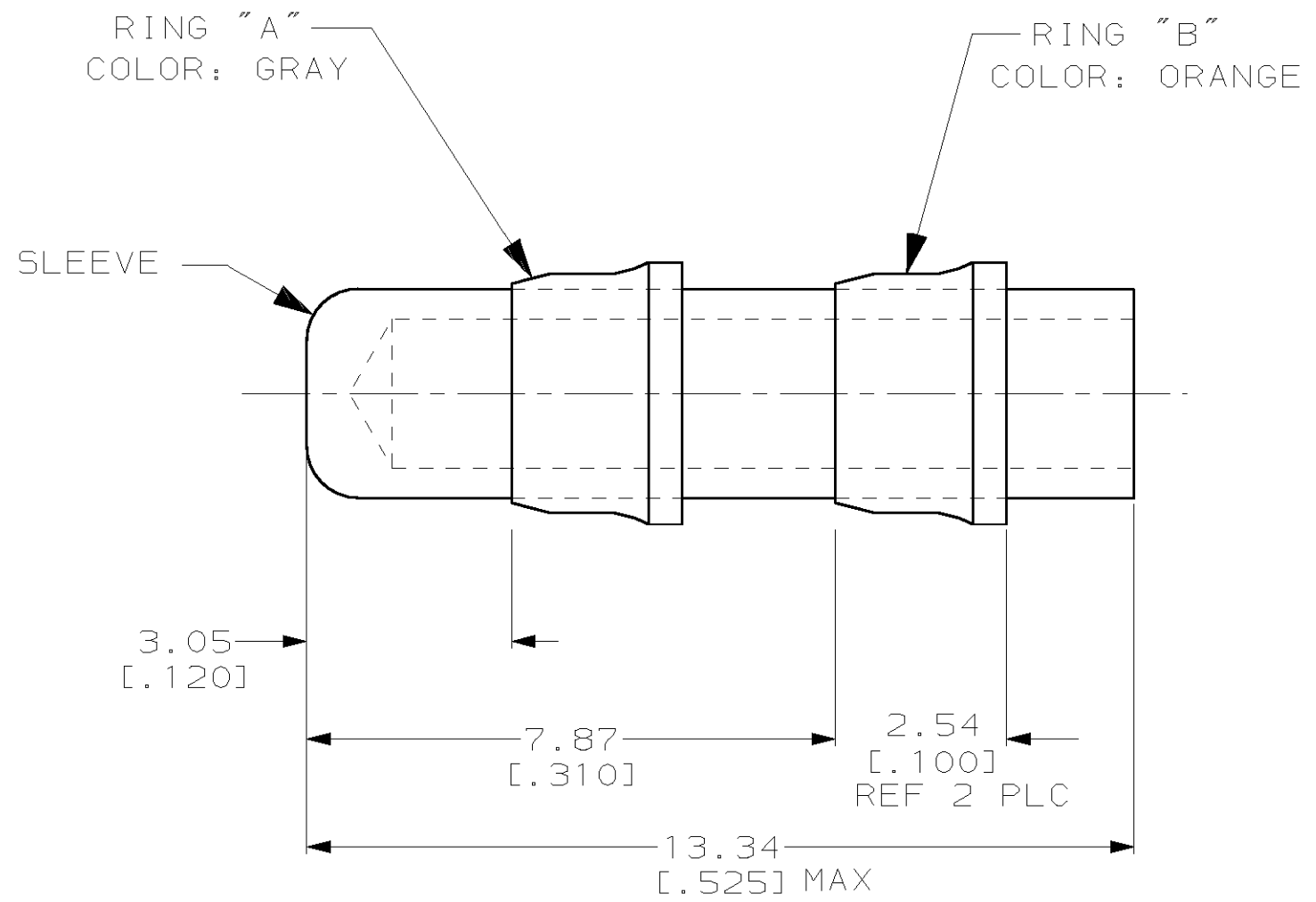
2

1

THIS DRAWING IS UNPUBLISHED. RELEASED FOR PUBLICATION, 19 .
 © COPYRIGHT 19 BY AMP INCORPORATED. ALL RIGHTS RESERVED.

LOC	DIST	REVISIONS			
P	LTR	DESCRIPTION	DATE	DWN	APVD
G	14	E	REV PER 063A-0541-00	25SEP00	JR TM

1 WIRE INSULATION DIA IS 2.23-2.79
 [.088-.110]



TEFLON ASTM D-1710		SLEEVE	
COPPER PER ASTM B152 / NICKEL PL PER QQ-N-290		RING "B"	
COPPER PER ASTM B152 / NICKEL PL PER QQ-N-290		RING "A"	
MATERIAL / FINISH		DESCRIPTION	
THIS DRAWING IS A CONTROLLED DOCUMENT.		DWN JR RUTH 31MAY00	AMP Incorporated Harrisburg, PA 17105-3608
DIMENSIONS: MM [INCHES]		CHK R HERSEY 31MAY00	
		APVD T MICHIELUTTI 31MAY00	
TOLERANCES UNLESS OTHERWISE SPECIFIED:		NAME	
0 PLC ±-		PRE-INSULATED SPARE WIRE CAP	
1 PLC ±-		PRODUCT SPEC	
2 PLC ±0.40 [.015]		APPLICATION SPEC	
3 PLC ±-		SIZE	
4 PLC ±-		CAGE CODE	
ANGLES ±-		DRAWING NO	
MATERIAL SEE TABLE		RESTRICTED TO	
FINISH SEE TABLE		A3 00779 C- 328860	
WEIGHT		SCALE 10:1	
CUSTOMER DRAWING		SHEET 1 OF 1	
		REV E	

X-ON Electronics

Largest Supplier of Electrical and Electronic Components

Click to view similar products for [Terminals](#) category:

Click to view products by [TE Connectivity](#) manufacturer:

Other Similar products are found below :

[00-054007-01074-6](#) [00-054007-70206-1](#) [00-054007-70210-8](#) [00-054007-70217-7](#) [00-054007-70226-9](#) [00-054007-70228-3](#) [00-054007-70248-1](#) [00-054007-70256-6](#) [00-054007-70301-3](#) [00-054007-70316-7](#) [00-054007-49560-4](#) [00-054007-70209-2](#) [00-054007-70225-2](#) [00-054007-70227-6](#) [00-054007-70231-3](#) [00-054007-70241-2](#) [00-054007-70242-9](#) [00-054007-70244-3](#) [00-054007-70246-7](#) [00-054007-70263-4](#) [00-054007-70288-7](#) [00-054007-70290-0](#) [00-054007-70300-6](#) [00-054007-70304-4](#) [01-2065-1-0216](#) [01-2900-1-04412](#) [00581P0075](#) [600TS-10](#) [60205-1](#) [604200-1](#) [605601-1](#) [60598-1-CUT-TAPE](#) [61314-6-C](#) [61810-3](#) [61-S](#) [61-SN](#) [626-0194](#) [62-NBM-A](#) [62-SN](#) [62-SP](#) [63-S](#) [640179-1](#) [M55155/059I03](#) [M55155/079C01](#) [M55155/099H02](#) [M55155/109H01](#) [M55155/109H02](#) [M55155/12XH05](#) [M55155/16XH02](#) [M55155/29-5S](#)