
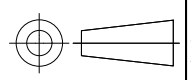


THIS DRAWING IS UNPUBLISHED. RELEASED FOR PUBLICATION
 © COPYRIGHT - By - ALL RIGHTS RESERVED.

| REVISIONS | | | | | |
|-----------|-----|-------------|------|-----|------|
| P | LTR | DESCRIPTION | DATE | DWN | APVD |
| - | - | SEE SHEET 1 | - | - | - |

| | | | | | | | |
|------------|------------|------|------|------|------------|------------|------------|
| 0.96 | 32.5 | 30.6 | 28.5 | 20 | 7-292207-0 | 4-292207-0 | 2-292207-0 |
| 0.91 | 31.0 | 29.1 | 27.0 | 19 | 6-292207-9 | 3-292207-9 | 1-292207-9 |
| 0.87 | 29.5 | 27.6 | 25.5 | 18 | 6-292207-8 | 3-292207-8 | 1-292207-8 |
| 0.82 | 28.0 | 26.1 | 24.0 | 17 | 6-292207-7 | 3-292207-7 | 1-292207-7 |
| 0.78 | 26.5 | 24.6 | 22.5 | 16 | 6-292207-6 | 3-292207-6 | 1-292207-6 |
| 0.73 | 25.0 | 23.1 | 21.0 | 15 | 6-292207-5 | 3-292207-5 | 1-292207-5 |
| 0.69 | 23.5 | 21.6 | 19.5 | 14 | 6-292207-4 | 3-292207-4 | 1-292207-4 |
| 0.64 | 22.0 | 20.1 | 18.0 | 13 | 6-292207-3 | 3-292207-3 | 1-292207-3 |
| 0.60 | 20.5 | 18.6 | 16.5 | 12 | 6-292207-2 | 3-292207-2 | 1-292207-2 |
| 0.55 | 19.0 | 17.1 | 15.0 | 11 | 6-292207-1 | 3-292207-1 | 1-292207-1 |
| 0.51 | 17.5 | 15.6 | 13.5 | 10 | 6-292207-0 | 3-292207-0 | 1-292207-0 |
| 0.46 | 16.0 | 14.1 | 12.0 | 9 | 5-292207-9 | 2-292207-9 | 292207-9 |
| 0.42 | 14.5 | 12.6 | 10.5 | 8 | 5-292207-8 | 2-292207-8 | 292207-8 |
| 0.37 | 13.0 | 11.1 | 9.0 | 7 | 5-292207-7 | 2-292207-7 | 292207-7 |
| 0.33 | 11.5 | 9.6 | 7.5 | 6 | 5-292207-6 | 2-292207-6 | 292207-6 |
| 0.28 | 10.0 | 8.1 | 6.0 | 5 | 5-292207-5 | 2-292207-5 | 292207-5 |
| 0.24 | 8.5 | 6.6 | 4.5 | 4 | 5-292207-4 | 2-292207-4 | 292207-4 |
| 0.19 | 7.0 | 5.1 | 3.0 | 3 | 5-292207-3 | 2-292207-3 | 292207-3 |
| 0.16 | 5.5 | 3.6 | 1.5 | 2 | 5-292207-2 | 2-292207-2 | 292207-2 |
| WEIGHT (g) | C | B | A | Pos. | BLUE | BLACK | GRAY |
| | DIMENSIONS | | | | P/N | | |

| | | | | | |
|---------------------------------------------------------------------------------------|--|--------------------------------|----------------------------------------------------------------------------------------------------------------------|--------------------|------------------------|
| THIS DRAWING IS A CONTROLLED DOCUMENT. | | DWN S.YAO 31JAN03 |  TE Connectivity | | |
| DIMENSIONS: mm | | CHK S.YAO 31JAN03 | | | |
| TOLERANCES UNLESS OTHERWISE SPECIFIED: | | APVD T. SASAKI 31JAN03 | NAME AMP Mini CT Connector 1.5mm Pitch Single Row Post HDR Ass'y (V) DIP Staggered Type with Boss with Kink | | |
|  | | PRODUCT SPEC 108 - 60018 | RESTRICTED TO | | |
| MATERIAL SEE NOTE 1 | | APPLICATION SPEC 114 - 5223 | SIZE A3 | CAGE CODE 00779 | DRAWING NO C-292207 |
| FINISH SEE NOTE 1 | | WEIGHT 0.000000 | SCALE - | | SHEET 2 OF 2 |
| CUSTOMER DRAWING | | | REV B | | |

X-ON Electronics

Largest Supplier of Electrical and Electronic Components

Click to view similar products for [Headers & Wire Housings](#) category:

Click to view products by [TE Connectivity](#) manufacturer:

Other Similar products are found below :

[892-18-020-10-001101](#) [58102-G61-06LF](#) [582553-1](#) [0009485154](#) [009176003701906](#) [0050291907](#) [LY20-4P-DT1-P1E-BR](#) [02.125.8002.8](#)
[609-3404](#) [61062-3](#) [61082-181009](#) [622-3653LF](#) [63453-116](#) [636-1030](#) [636-1427](#) [636-3427](#) [636-4007](#) [641938-9](#) [641991-4](#) [644827-2](#) [65817-](#)
[010LF](#) [65817-015LF](#) [65863-015LF](#) [66207-023LF](#) [67095-007LF](#) [67601157](#) [68645-018](#) [68648-049](#) [70.362.1628.0](#) [70-4210](#) [70-4226B](#) [70-](#)
[4853B](#) [707-5020](#) [707-5028](#) [71.350.2428.0](#) [71918-208LF](#) [71961-016LF](#) [733-134](#) [733-162](#) [754199-000](#) [760-3052](#) [787-8014-00](#) [79531-3000](#)
[FCN-360C032-B](#) [FCN-367T-T012/H](#) [FCN-723D010/2](#) [80.063.4001.1](#) [800-90-001-10-001000](#) [800-90-010-10-002000](#) [801-43-002-10-013000](#)