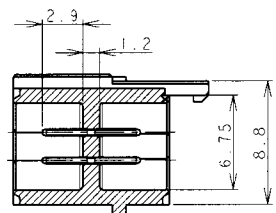
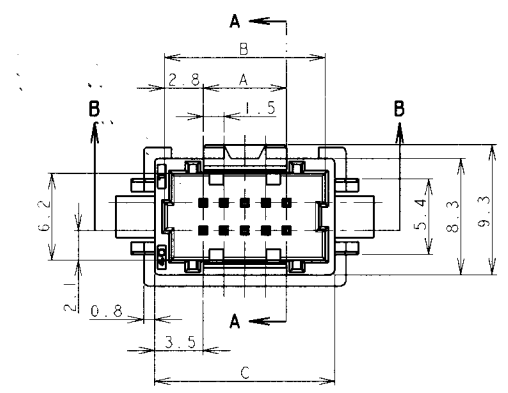
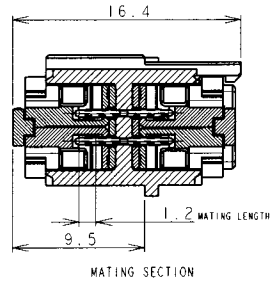


THIS DRAWING IS UNPUBLISHED
 RELEASED FOR PUBLICATION
 BY TYCO ELECTRONICS CORPORATION. ALL RIGHTS RESERVED

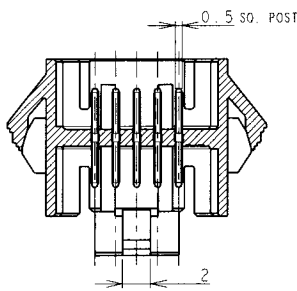
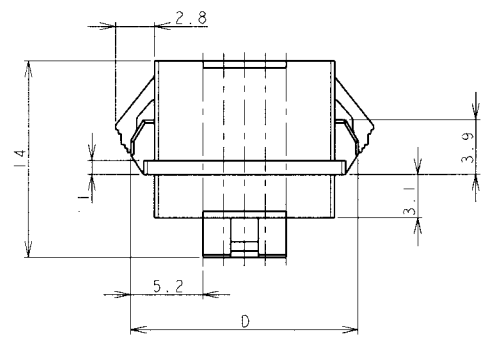
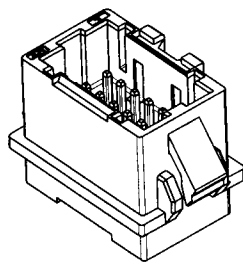
LOC		DIST		REVISIONS			
P	LTR	DESCRIPTION		DATE	DWN	APWD	
FB	00	O	RELEASED	FB00-0015-03	04FEB03	J. J.	T. S.



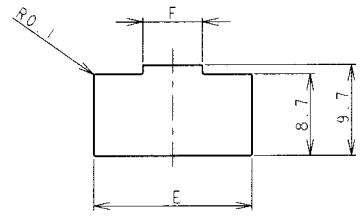
SECT A-A



MATING SECTION

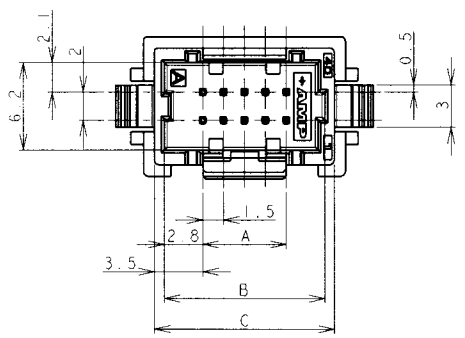


SECT B-B



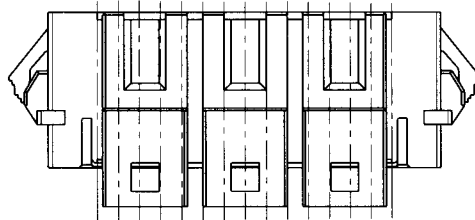
PANEL CUTOUT DIMENSION (TOLERANCE ± 0.1 mm)
 (RECOMMENDED PANEL THICKNESS: 0.8mm-1.6mm)

- NOTES
- MATERIAL
 HOUSING: 66NYLON(94V-0) COLOR: WHITE, BLUE
 POST: TIN BRASS WIRE
 - THE PANEL SHOULD BE PUNCHED SO THAT THE HOUSING ENTERS THE PANEL IN THE SAME DIRECTION AS PUNCH.



<small>THIS DRAWING IS A CONTROLLED DOCUMENT FOR TYCO ELECTRONICS CORPORATION IT IS SUBJECT TO CHANGE AND THE CONTROLLING ENGINEERING ORGANIZATION SHOULD BE CONTACTED FOR THE LATEST REVISION</small>		DWN J. JIANG 04FEB03 CHK S. YAO 04FEB03 APWD T. SASAKI 04FEB03	tyco Electronics	Tyco Electronics Corporation Shanghai, P.R.China, 200233
DIMENSIONS mm	TOLERANCES UNLESS OTHERWISE SPECIFIED: 10 \pm 0.2 30 \pm 0.25 100 \pm 0.3 ANGLE \pm 3°	PRODUCT SPEC 108-60018 APPLICATION SPEC 114-5223	NAME AMP MINI COMMON TERMINATED (CT) CONNECTOR 1.5 mm PITCH DOUBLE ROW POST HEADER ASS'Y PANEL MOUNT TYPE	
MATERIAL SEE NOTE 1	FINISH SEE NOTE 1	WEIGHT CUSTOMER DRAWING	SIZE A3	CAGE CODE 00779
			DRAWING NO. C-292216	RESTRICTED TO SHEET 1 OF 2 REV 0

22-28 Pos.



30-40 Pos.

RELEASED FOR PUBLICATION

THIS DRAWING IS UNPUBLISHED

BY TYCO ELECTRONICS CORPORATION ALL RIGHTS RESERVED

© COPYRIGHT

2.37	20.6	39.5	38.9	35.5	34.1	28.5	40	9-292216-0	4-292216-0
2.30	20.6	38.0	37.4	34.0	32.6	27.0	38	8-292216-8	3-292216-8
2.21	20.6	36.5	35.9	32.5	31.1	25.5	36	8-292216-6	3-292216-6
2.13	20.6	35.0	34.4	31.0	29.6	24.0	34	8-292216-4	3-292216-4
2.05	20.6	33.5	32.9	29.5	28.1	22.5	32	8-292216-2	3-292216-2
1.97	20.6	32.0	31.4	28.0	26.6	21.0	30	8-292216-0	3-292216-0
1.82	13.5	30.5	29.9	26.5	25.1	19.5	28	7-292216-8	2-292216-8
1.74	13.5	29.0	28.4	25.0	23.6	18.0	26	7-292216-6	2-292216-6
1.63	13.5	27.5	26.9	23.5	22.1	16.5	24	7-292216-4	2-292216-4
1.55	13.5	26.0	25.4	22.0	20.6	15.0	22	7-292216-2	2-292216-2
WEIGHT (g)	F	E	D	C	B	A	Pos	BLUE	WHITE
DIMENSIONS								P/N	

DIMENSIONS: mm	DWN	MATERIAL	SEE SHEET 1	FINISH	SEE SHEET 1
	CHK	Tyco Electronics Corporation Shanghai, P.R.China, 200233			
TOLERANCES UNLESS OTHERWISE SPECIFIED: 10 > : ±0.2 30 > 10 : ±0.25 100 > 30 : ±0.3 ANGLE : ±3°	APVD				
	PRODUCT SPEC	NAME AMP MINI COMMON TERMINATED (CT) CONNECTOR 1.5 mm PITCH DOUBLE ROW POST HDR ASS'Y PANEL MOUNT TYPE			
	APPLICATION SPEC	SIZE	CAGE CODE	DRAWING NO	RESTRICTED TO
WEIGHT	A4		00779	C-292216	
CUSTOMER DRAWING	SCALE	NON	SHEET	2	OF 2
			REV	0	

X-ON Electronics

Largest Supplier of Electrical and Electronic Components

Click to view similar products for [Headers & Wire Housings](#) category:

Click to view products by [TE Connectivity](#) manufacturer:

Other Similar products are found below :

[892-18-020-10-001101](#) [58102-G61-06LF](#) [582553-1](#) [0009485154](#) [009176003701906](#) [0050291907](#) [LY20-4P-DT1-P1E-BR](#) [02.125.8002.8](#)
[609-3404](#) [61062-3](#) [61082-181009](#) [622-3653LF](#) [63453-116](#) [636-1030](#) [636-1427](#) [636-3427](#) [636-4007](#) [641938-9](#) [641991-4](#) [644827-2](#) [65817-](#)
[010LF](#) [65817-015LF](#) [65863-015LF](#) [66207-023LF](#) [67095-007LF](#) [67601157](#) [68645-018](#) [68648-049](#) [70.362.1628.0](#) [70-4210](#) [70-4226B](#) [70-](#)
[4853B](#) [707-5020](#) [707-5028](#) [71.350.2428.0](#) [71918-208LF](#) [71961-016LF](#) [733-134](#) [733-162](#) [754199-000](#) [760-3052](#) [787-8014-00](#) [79531-3000](#)
[FCN-360C032-B](#) [FCN-367T-T012/H](#) [FCN-723D010/2](#) [80.063.4001.1](#) [800-90-001-10-001000](#) [800-90-010-10-002000](#) [801-43-002-10-013000](#)