

4

3

2

1

THIS DRAWING IS UNPUBLISHED.

RELEASED FOR PUBLICATION

, 19

© COPYRIGHT 19

BY AMP INCORPORATED. ALL RIGHTS RESERVED.

LOC	DIST	REVISIONS			
P	LTR	DESCRIPTION	DATE	DWN	APVD
ES	00	BI REVISED	ECR-09-024244	06NOV09	C.Z S.Y

Dimensions: 4, 2, $\phi 1.5$, 1.75, A, B, D, C ± 0.3 TAPE WIDTH, 1.8 TYP, 1.5, 1.7, P.

NOTE:

1. PEELING STRENGTH: 0.20-0.69N(20-70gf)
 PEELING ANGLE: 165-180°
 PEELING SPEED: 300mm/MINUTE.

ADHESIVE TAPE, FLANGE, COVER TAPE, SECURE TO FLANGE WITH ADHESIVE TAPE

REEL DIA $\phi 330$, FLANGE CORE DIA $\phi 80$, REEL WIDTH W1, W2, APPROX 300mm WITHOUT CHARGE, WITH PRODUCT CHARGE, APPROX 300mm WITHOUT CHARGE, HOLES 12, WIND COVER TAPE AROUND OUTER PERIPHERY 1 TURN, PEELING ANGLE 165-180°

16, 8.6, 11.2, 7.6, OFF TOP OF REEL

SECT A-A

TOLERANCES UNLESS OTHERWISE SPECIFIED:

10 > : ± 0.2
 30 > * > 10 : ± 0.25
 100 > * > 30 : ± 0.3
 ANGLE : $\pm 3^\circ$

THIS DRAWING IS A CONTROLLED DOCUMENT FOR AMP INCORPORATED. IT IS SUBJECT TO CHANGE AND THE CONTROLLING ENGINEERING ORGANIZATION SHOULD BE CONTACTED FOR THE LATEST REVISION.		DWN S. XU 31JAN03	WTR RANGE		INSULATION DIA	
DIMENSIONS: mm		CHK S. YAO 31JAN03	Tyco Electronics Corporation SHANGHAI, CHINA			
TOLERANCES UNLESS OTHERWISE SPECIFIED:		APVD T. SASAKI 31JAN03				
0 PLC \pm 1 PLC ± 0.1 2 PLC ± 0.15 3 PLC ± 0.001 4 PLC ± 0.0001 ANGLES \pm		PRODUCT SPEC 108-60018	NAME AMP Mini Common Terminated (CT) Connector 1.5mm PITCH DOUBLE ROW POST HDR ASS'Y (V) SMT TYPE WITH BOSS, EMBOSS TAPE PACKAGED			
MATERIAL		APPLICATION SPEC 114-5223	SIZE A3	CAGE CODE 00779	DRAWING NO C-292229	RESTRICTED TO
FINISH		WEIGHT	CUSTOMER DRAWING		SCALE NON	SHEET 1 of 4 REV BI

AMP 1470-19 REV 27JUN96

LOC	DIST	REVISIONS					
FB	00	P	LTR	DESCRIPTION	DATE	DWN	APVD

37.5	33.5	52.4	56	35.8	26.2	400	40	BLACK	9-292229-0
37.5	33.5	40.4	44	34.3	20.2	400	38		8-292229-8
37.5	33.5	40.4	44	32.8	20.2	400	36		8-292229-6
29.5	25.5	40.4	44	31.3	20.2	400	34		8-292229-4
29.5	25.5	40.4	44	29.8	20.2	400	32		8-292229-2
29.5	25.5	40.4	44	28.3	20.2	400	30		8-292229-0
29.5	25.5	40.4	44	26.8	20.2	400	28		7-292229-8
21.5	17.5	40.4	44	25.3	20.2	400	26		7-292229-6
21.5	17.5	40.4	44	23.8	20.2	400	24		7-292229-4
21.5	17.5	28.4	32	22.2	14.2	400	22		7-292229-2
W2	W1	D	C	B	A	QTY/ REEL	POS	COLOR	ON TAPE P/N
DIMENSIONS									

37.5	33.5	52.4	56	35.8	26.2	400	40	BEIGE	4-292229-0
37.5	33.5	40.4	44	34.3	20.2	400	38		3-292229-8
37.5	33.5	40.4	44	32.8	20.2	400	36		3-292229-6
29.5	25.5	40.4	44	31.3	20.2	400	34		3-292229-4
29.5	25.5	40.4	44	29.8	20.2	400	32		3-292229-2
29.5	25.5	40.4	44	28.3	20.2	400	30		3-292229-0
29.5	25.5	40.4	44	26.8	20.2	400	28		2-292229-8
21.5	17.5	40.4	44	25.3	20.2	400	26		2-292229-6
21.5	17.5	40.4	44	23.8	20.2	400	24		2-292229-4
21.5	17.5	28.4	32	22.2	14.2	400	22		2-292229-2
W2	W1	D	C	B	A	QTY/ REEL	POS	COLOR	ON TAPE P/N
DIMENSIONS									

WIRE RANGE	INSULATION DIA
------------	----------------

DIMENSIONS: mm	DWN	MATERIAL	FINISH
TOLERANCES UNLESS OTHERWISE SPECIFIED: 0 PLC ±- 1 PLC ±0.1 2 PLC ±0.15 3 PLC ±0.001 4 PLC ±0.0001 ANGLES ±-	CHK	Tyco Electronics Corporation SHANGHAI, CHINA	
PRODUCT SPEC SEE SHEET 1 OF 4	APVD	NAME AMP Mini Common Terminated (CT) Connector 1.5mm PITCH DOUBLE ROW POST HDR ASS'Y (V) SMT TYPE WITH BOSS, EMBOSS TAPE PACKAGED	
APPLICATION SPEC SEE SHEET 1 OF 4	WEIGHT	SIZE A4	CAGE CODE 00779
CUSTOMER DRAWING		DRAWING NO C=292229	RESTRICTED TO
SCALE NON		SHEET 2 OF 4	REV B1

THIS DRAWING IS UNPUBLISHED.
 BY TYCO ELECTRONICS CORPORATION. ALL RIGHTS RESERVED.
 © COPYRIGHT

RELEASED FOR PUBLICATION

4

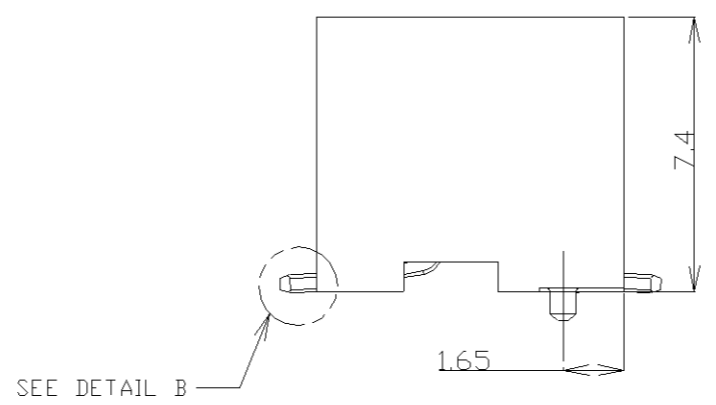
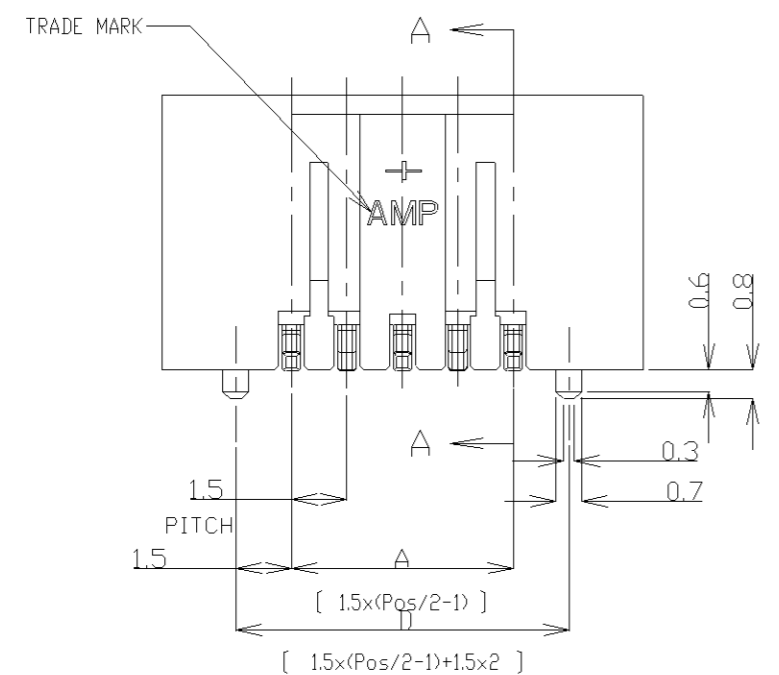
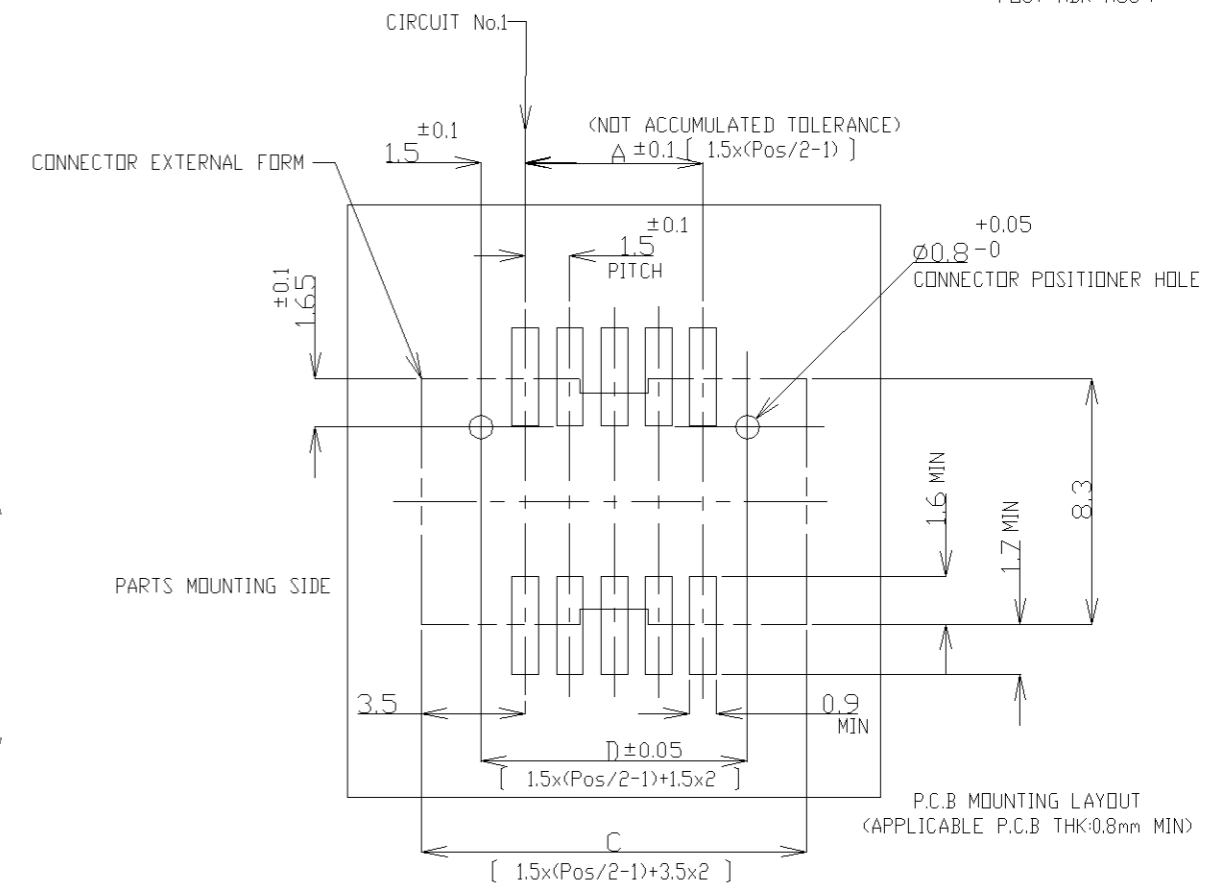
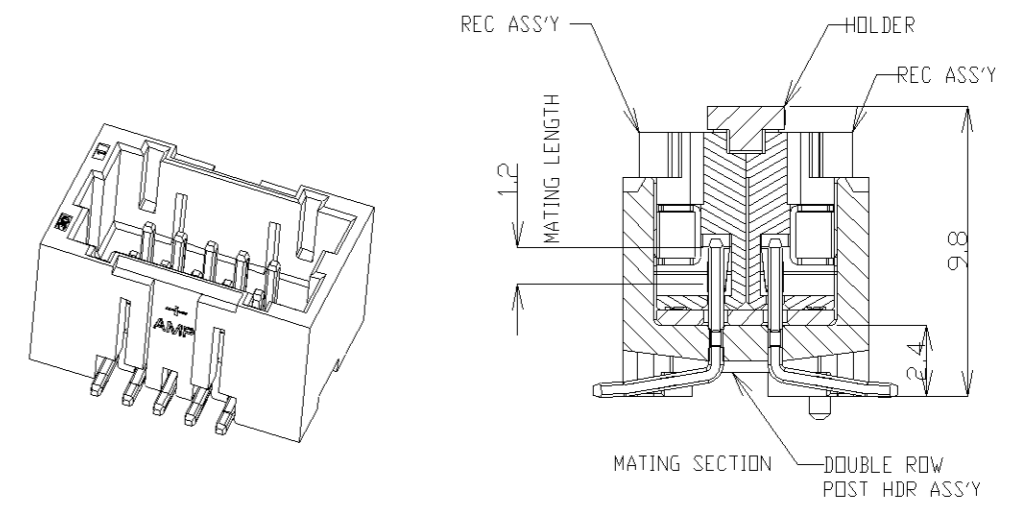
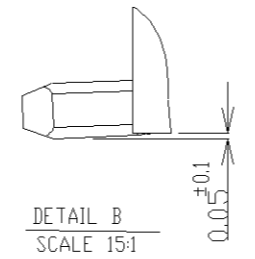
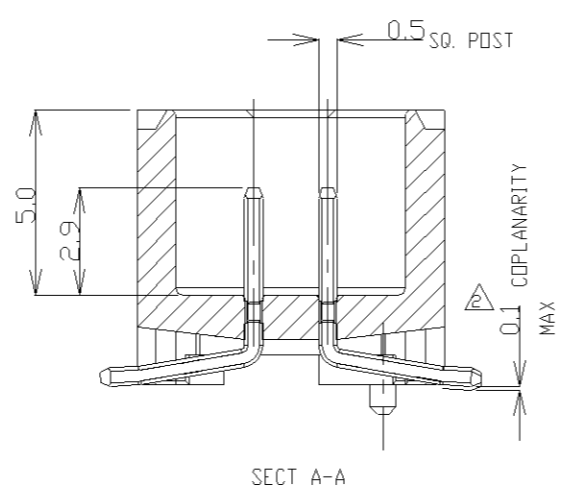
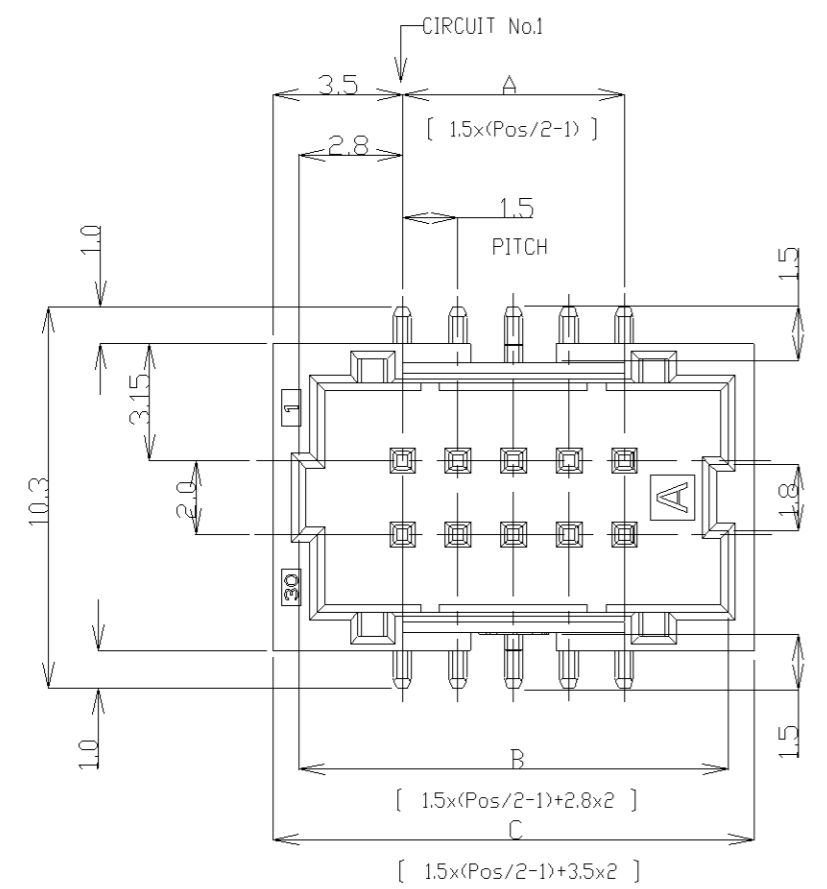
3

2

1

THIS DRAWING IS UNPUBLISHED. RELEASED FOR PUBLICATION
 © COPYRIGHT BY TYCO ELECTRONICS CORPORATION. ALL INTERNATIONAL RIGHTS RESERVED.

LOC	DIST	REVISIONS					
		P	LTR	DESCRIPTION	DATE	DWN	APVD
ES	00	-	-		-	-	-



NOTES:
 1. MATERIAL:
 HOUSING-HIGH HEAT RESISTANT, GLASS FILLED NYLON, UL94V-0, COLOR-BEIGE, BLACK
 POST:Sn-100% BRASS WIRE
 TO BE MEASURED WITH CONNECTOR PLACED ON HORIZONTAL DATUM SURFACE,
 FLOAT OF SOLDER TINE FROM DATUM SURFACE IS 0.1mm MAX.

TOLERANCES UNLESS OTHERWISE SPECIFIED:

10 >	±0.2
30 > 10	±0.25
100 > 30	±0.3
ANGLE	±3°

THIS DRAWING IS A CONTROLLED DOCUMENT.


DIMENSIONS:	TOLERANCES UNLESS OTHERWISE SPECIFIED:
mm	0 PLC ±
	1 PLC ±
	2 PLC ±
	3 PLC ±
	4 PLC ±
	ANGLES ±
MATERIAL	FINISH
SEE NOTE 1	SEE NOTE 1

DWN	---	Tyco Electronics Corporation Shanghai, P.R. China, 200233					
CHK	---						
APVD	---						
PRODUCT SPEC	---						
APPLICATION SPEC	---						
NAME		AMP Mini Common Terminated (CT) Connector 1.5mm PITCH DBL ROW POST HDR ASS'Y (V) SMT TYPE WITH BOSS					
SIZE	A3						
CAGE CODE	00779	DRAWING NO					
DRAWING NO	C=292229						
RESTRICTED TO	---	SCALE	NON	SHEET	3 of 4	REV	B1

LOC		DIST		REVISIONS			
P	LTR	DESCRIPTION		DATE	DWN	APVD	
-	-	-	-	-	-	-	

31.5	35.5	34.1	28.5	40	9-292229-0	4-292229-0
30.0	34.0	22.6	27.0	38	8-292229-8	3-292229-8
28.5	32.5	31.1	25.5	36	8-292229-6	3-292229-6
27.0	31.0	29.6	24.0	34	8-292229-4	3-292229-4
25.5	29.5	28.1	22.5	32	8-292229-2	3-292229-2
24.0	28.0	26.6	21.0	30	8-292229-0	3-292229-0
22.5	26.5	25.1	19.5	28	7-292229-8	2-292229-8
21.0	25.0	23.6	18.0	26	7-292229-6	2-292229-6
19.5	23.5	22.1	16.5	24	7-292229-4	2-292229-4
18.0	22.0	20.6	15.0	22	7-292229-2	2-292229-2
D	C	B	A	Pos.	BLACK	BEIGE
DIMENSIONS					P/N	

THIS DRAWING IS UNPUBLISHED. BY TYCO ELECTRONICS CORPORATION. © COPYRIGHT - ALL INTERNATIONAL RIGHTS RESERVED.

DIMENSIONS: mm TOLERANCES UNLESS OTHERWISE SPECIFIED: 0 PLC ± - 1 PLC ± - 2 PLC ± - 3 PLC ± - 4 PLC ± - ANGLES ± -	DWN	MATERIAL		FINISH	
	CHK	 Tyco Electronics Corporation Shanghai, P.R. China. 200233			
	APVD	NAME AMP Mini Common Terminated (CT) Conn. 1.5mm PITCH DBL ROW POST HDR ASS'Y (V) SMT TYPE W BOSS			
	PRODUCT SPEC	SIZE	CAGE CODE	DRAWING NO	RESTRICTED TO
	APPLICATION SPEC	A4	00779	©-292229	-
	WEIGHT	CUSTOMER DRAWING SCALE NON SHEET 4 of 4 REV B1			

X-ON Electronics

Largest Supplier of Electrical and Electronic Components

Click to view similar products for [Headers & Wire Housings](#) category:

Click to view products by [TE Connectivity](#) manufacturer:

Other Similar products are found below :

[892-18-020-10-001101](#) [58102-G61-06LF](#) [582553-1](#) [0009485154](#) [009176003701906](#) [0050291907](#) [LY20-4P-DT1-P1E-BR](#) [02.125.8002.8](#)
[609-3404](#) [61062-3](#) [61082-181009](#) [622-3653LF](#) [63453-116](#) [636-1030](#) [636-1427](#) [636-3427](#) [636-4007](#) [641938-9](#) [641991-4](#) [644827-2](#) [65817-010LF](#) [65817-015LF](#) [65863-015LF](#) [66207-023LF](#) [67095-007LF](#) [67601157](#) [68645-018](#) [68648-049](#) [70.362.1628.0](#) [70-4210](#) [70-4226B](#) [70-4853B](#) [707-5020](#) [707-5028](#) [71.350.2428.0](#) [71918-208LF](#) [71961-016LF](#) [733-134](#) [733-162](#) [754199-000](#) [760-3052](#) [787-8014-00](#) [79531-3000](#)
[FCN-360C032-B](#) [FCN-367T-T012/H](#) [FCN-723D010/2](#) [80.063.4001.1](#) [800-90-001-10-001000](#) [800-90-010-10-002000](#) [801-43-002-10-013000](#)