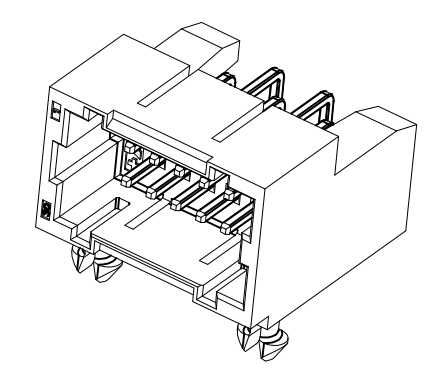
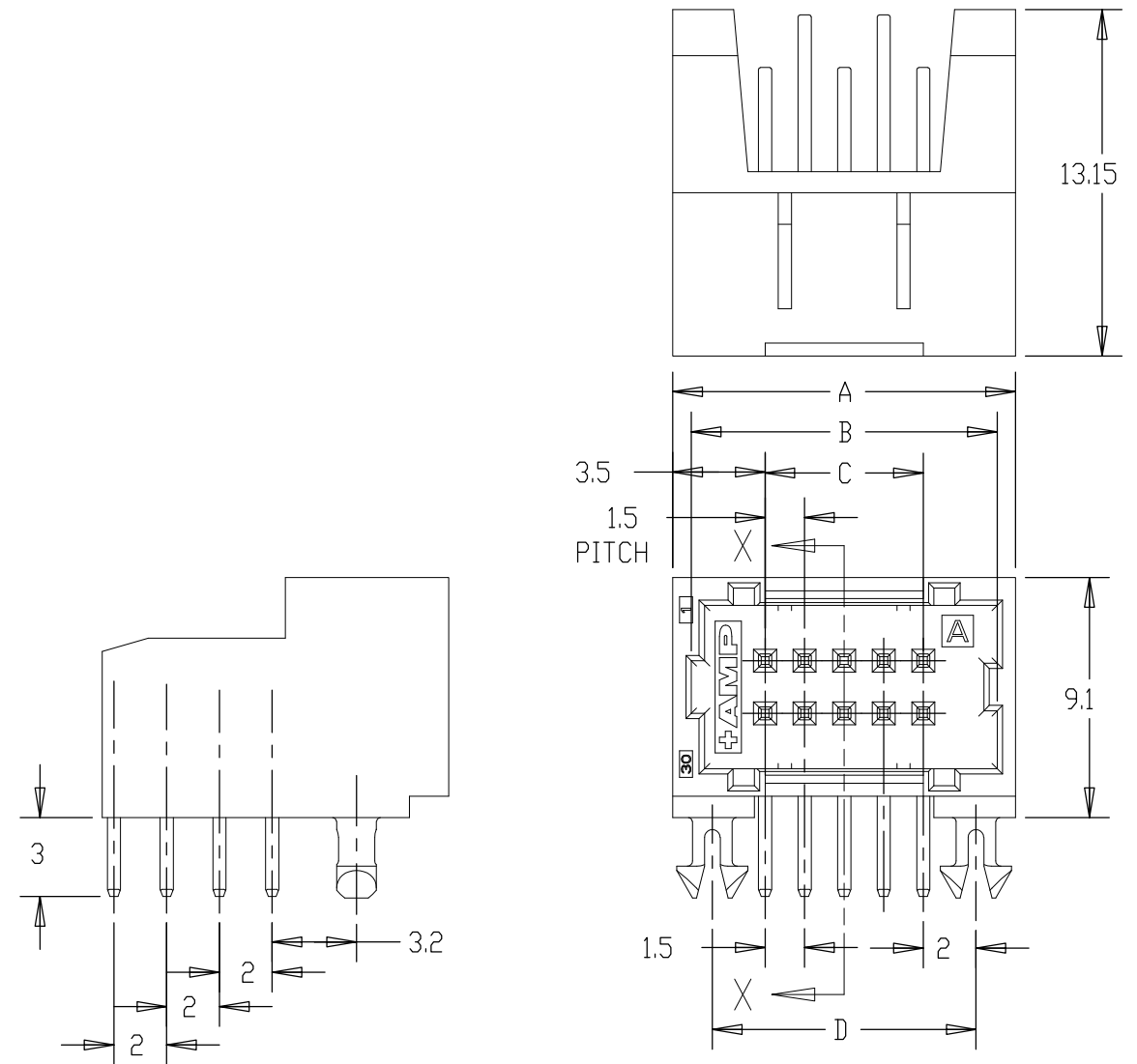
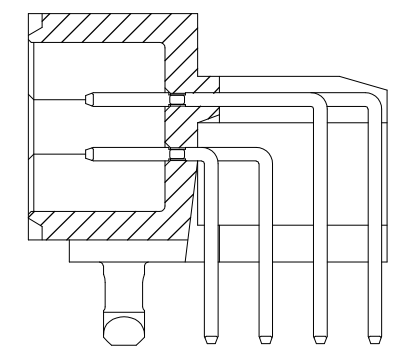


THIS DRAWING IS UNPUBLISHED. RELEASED FOR PUBLICATION  
 © COPYRIGHT - By - ALL RIGHTS RESERVED.

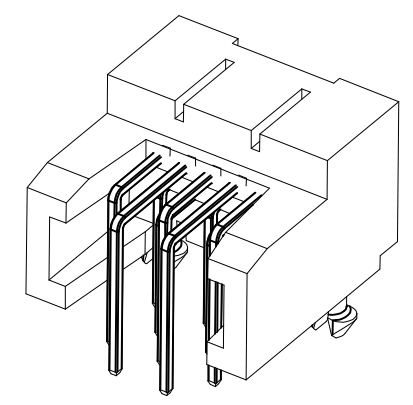
LOC	DIST	REVISIONS			
P	LTR	DESCRIPTION	DATE	DWN	APVD
ES	00	B2	REVISED PER ECO-11-005033	29MAR11	RK HMR



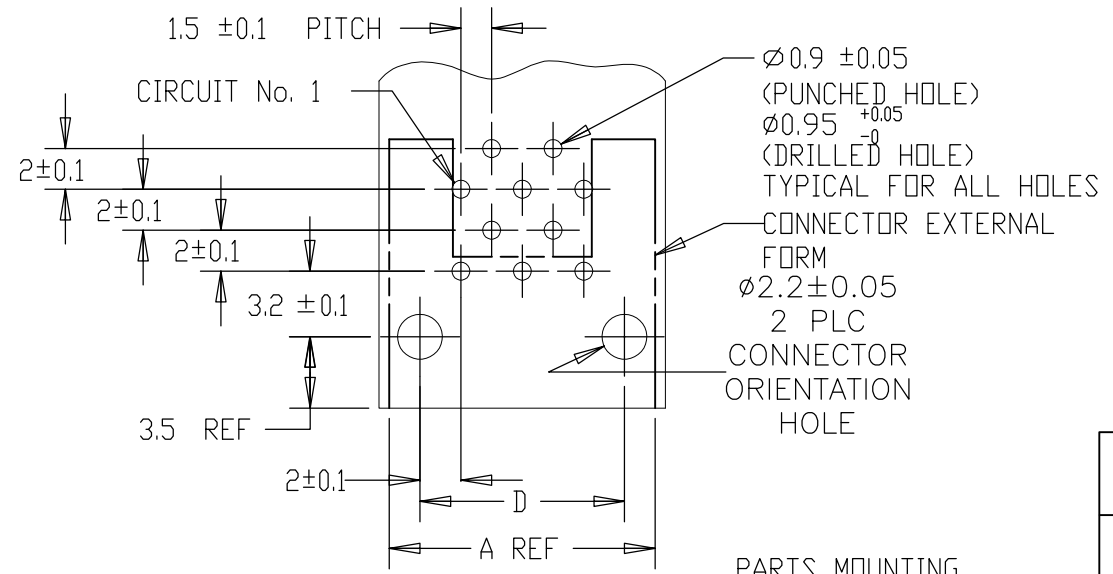
ISOMETRIC VIEW  
SCALE 3:1



SECTION X-X



ISOMETRIC VIEW  
SCALE 3:1



RECOMMENDED PCB LAYOUT - THK= 1.6  
NON-ACCUMULATIVE TOLERANCE  
SCALE 3:1

PARTS MOUNTING  
SIDE

NOTES:


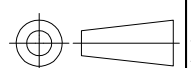
- MATERIAL:  
HOUSING: NYLON (G.F) UL 94V-0  
POST: PRE-TIN 0.5MM SQ BRASS WIRE
- GENERAL TOLERANCE ±0.3

THIS DRAWING IS A CONTROLLED DOCUMENT.		DWN J.JIANG 13FEB03	TE Connectivity																
DIMENSIONS: mm		CHK S.YAO 13FEB03																	
TOLERANCES UNLESS OTHERWISE SPECIFIED:		APVD T.SASAKI 13FEB03	NAME DBL ROW (H) TYPE WITH BOADRLOCK HDR ASSY For AMP Mini Common Terminated (CT) Connector 1.5mm Pitch																
<table border="1"> <tr><td>0 PLC</td><td>± -</td></tr> <tr><td>1 PLC</td><td>± 0.3</td></tr> <tr><td>2 PLC</td><td>± 0.10</td></tr> <tr><td>3 PLC</td><td>± 0.001</td></tr> <tr><td>4 PLC</td><td>± 0.0001</td></tr> <tr><td>ANGLES</td><td>± -</td></tr> <tr><td>FINISH</td><td>± -</td></tr> </table>		0 PLC	± -	1 PLC	± 0.3	2 PLC	± 0.10	3 PLC	± 0.001	4 PLC	± 0.0001	ANGLES	± -	FINISH	± -	PRODUCT SPEC 108-60018	RESTRICTED TO		
0 PLC	± -																		
1 PLC	± 0.3																		
2 PLC	± 0.10																		
3 PLC	± 0.001																		
4 PLC	± 0.0001																		
ANGLES	± -																		
FINISH	± -																		
MATERIAL SEE NOTE		APPLICATION SPEC 114-5223	SIZE A3	CAGE CODE 00779	DRAWING NO C-292262														
		WEIGHT -	SCALE 4:1 SHEET 1 OF 2 REV B2																
		CUSTOMER DRAWING																	

THIS DRAWING IS UNPUBLISHED. RELEASED FOR PUBLICATION  
 © COPYRIGHT - By - ALL RIGHTS RESERVED.

LOC	DIST	REVISIONS					
		P	LTR	DESCRIPTION	DATE	DWN	APVD
ES	00		-	SEE SHEET 1	-	-	-

2.7	35.5	28.5	34.1	35.5	40	9-292262-0	4-292262-0
2.6	31.0	27.0	32.6	34.0	38	8-292262-8	3-292262-8
2.5	29.5	25.5	31.1	32.5	36	8-292262-6	3-292262-6
2.4	28.0	24.0	29.6	31.0	34	8-292262-4	3-292262-4
2.3	26.5	22.5	28.1	29.5	32	8-292262-2	3-292262-2
2.2	25.0	21.0	26.6	28.0	30	8-292262-0	3-292262-0
2.1	23.5	19.5	25.1	26.5	28	7-292262-8	2-292262-8
2.0	22.0	18.0	23.6	25.0	26	7-292262-6	2-292262-6
1.9	20.5	16.5	22.1	23.5	24	7-292262-4	2-292262-4
1.8	19.0	15.0	20.6	22.0	22	7-292262-2	2-292262-2
NET WEIGHT (g)	D	C	B	A	POS	BLUE	GRAY (NATURAL)
	DIMENSIONS					P/N	

THIS DRAWING IS A CONTROLLED DOCUMENT.		DWN	 <b>TE Connectivity</b>				
DIMENSIONS: mm		CHK					
		APVD					
TOLERANCES UNLESS OTHERWISE SPECIFIED: 0 PLC ± - 1 PLC ± 0.3 2 PLC ± 0.10 3 PLC ± 0.001 4 PLC ± 0.0001 ANGLES ± -		PRODUCT SPEC					
MATERIAL		APVD	NAME				
SEE NOTE 1		PRODUCT SPEC	DBL ROW (H) TYPE WITH BOADRLOCK HDR ASSY				
		APPLICATION SPEC	For AMP Mini Common Terminated (CT)				
		WEIGHT	Connector 1.5mm Pitch				
		CUSTOMER DRAWING	SIZE	CAGE CODE	DRAWING NO	RESTRICTED TO	
			A3	00779	C-292262	-	
			SCALE	SHEET	REV		
			1:1	2 OF 2	B2		

## X-ON Electronics

Largest Supplier of Electrical and Electronic Components

*Click to view similar products for [Headers & Wire Housings](#) category:*

*Click to view products by [TE Connectivity](#) manufacturer:*

Other Similar products are found below :

[892-18-020-10-001101](#) [58102-G61-06LF](#) [582553-1](#) [0009485154](#) [009176003701906](#) [0050291907](#) [LY20-4P-DT1-P1E-BR](#) [02.125.8002.8](#)  
[609-3404](#) [61062-3](#) [61082-181009](#) [622-3653LF](#) [63453-116](#) [636-1030](#) [636-1427](#) [636-3427](#) [636-4007](#) [641938-9](#) [641991-4](#) [644827-2](#) [65817-010LF](#) [65817-015LF](#) [65863-015LF](#) [66207-023LF](#) [67095-007LF](#) [67601157](#) [68645-018](#) [68648-049](#) [70.362.1628.0](#) [70-4210](#) [70-4226B](#) [70-4853B](#) [707-5020](#) [707-5028](#) [71.350.2428.0](#) [71918-208LF](#) [71961-016LF](#) [733-134](#) [733-162](#) [754199-000](#) [760-3052](#) [787-8014-00](#) [79531-3000](#)  
[FCN-360C032-B](#) [FCN-367T-T012/H](#) [FCN-723D010/2](#) [80.063.4001.1](#) [800-90-001-10-001000](#) [800-90-010-10-002000](#) [801-43-002-10-013000](#)