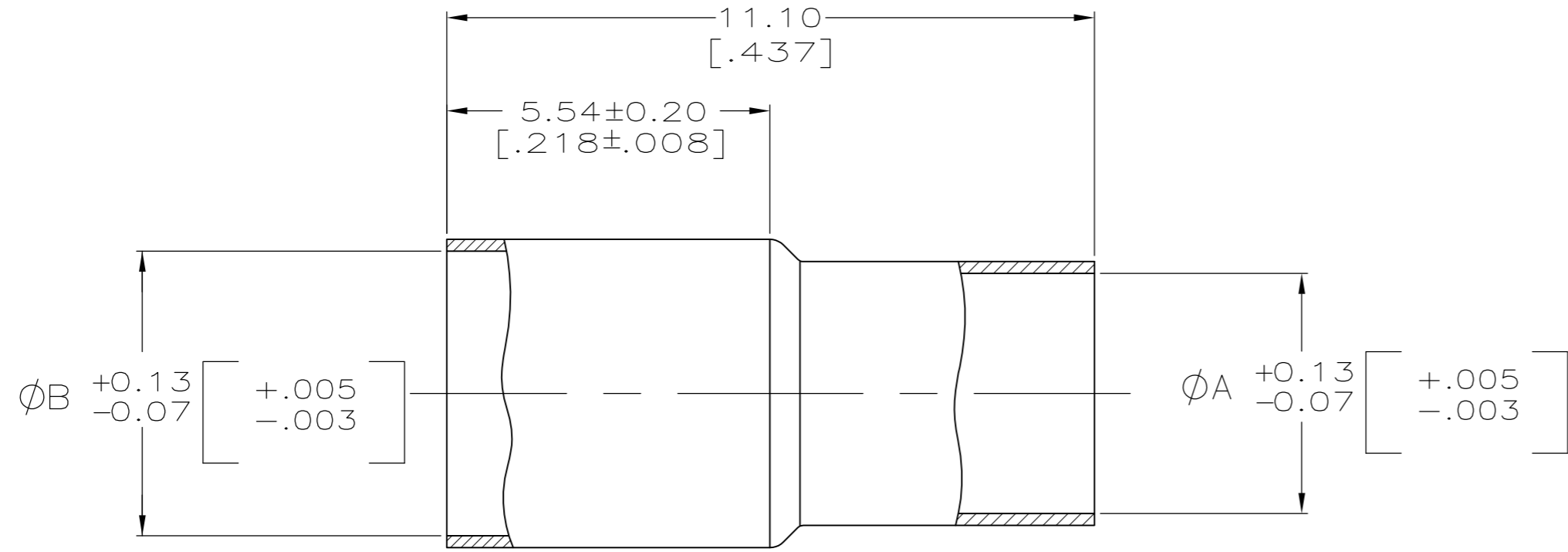


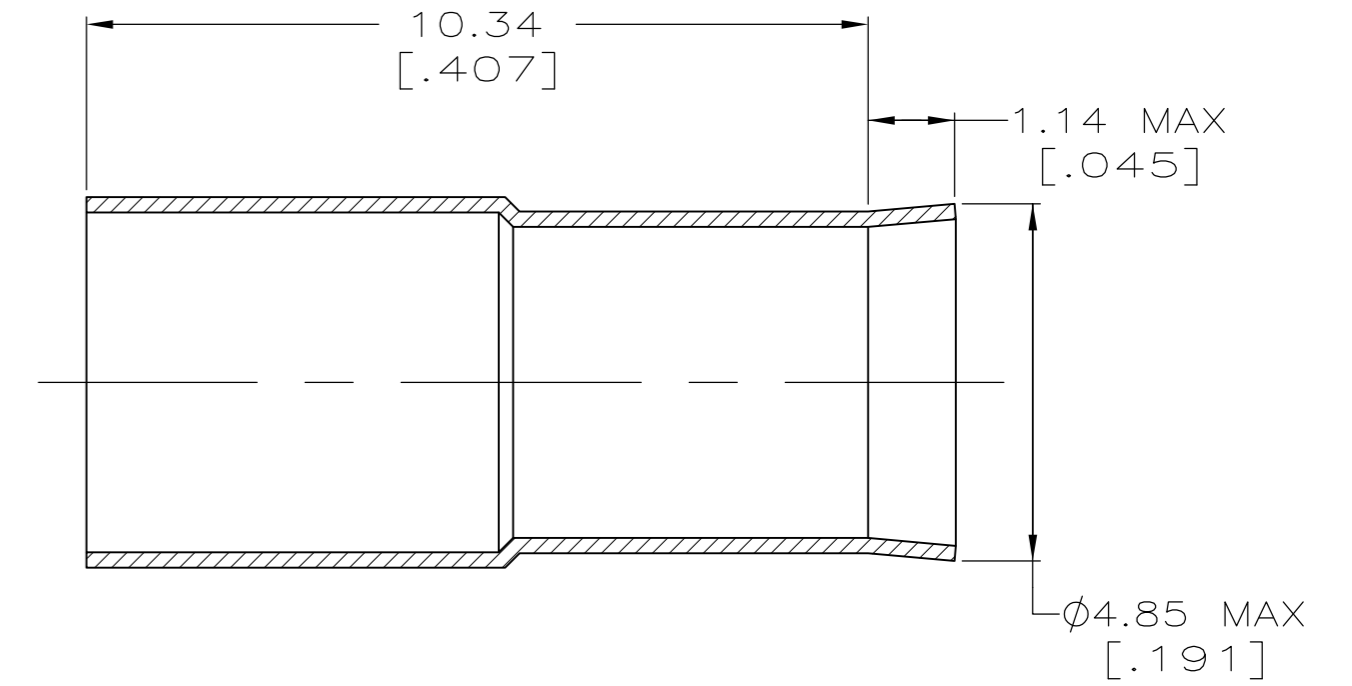
THIS DRAWING IS UNPUBLISHED. RELEASED FOR PUBLICATION  
 © COPYRIGHT BY TYCO ELECTRONICS CORPORATION. ALL RIGHTS RESERVED.

LOC	DIST	REVISIONS			
P	LTR	DESCRIPTION	DATE	DWN	APVD
AJ	16	AK	REVISED PER ECO-10-008433	21MAY10	HMR KW

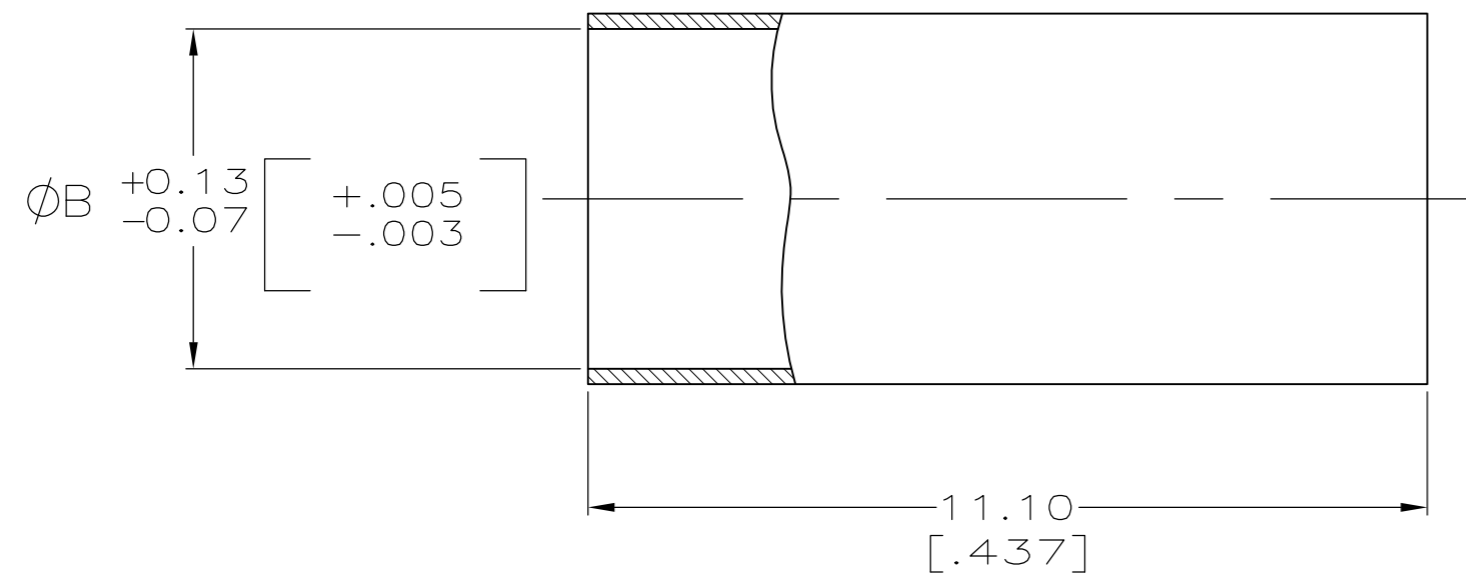
- 1. COPPER ALLOY
- △2 5.08 μm [.000200] MINIMUM THICK SILVER PLATE PER QQ-S-365
- △3 2.54 μm [.000100] MINIMUM THICK TIN-LEAD PLATE PER ASTM-B-545, WITH SUPPLEMENTAL ANTI FRETTING LUBRICANT.
- △4 2.54 μm [.000100] MINIMUM THICK MATTE TIN PLATE, WITH SUPPLEMENTAL ANTI FRETTING LUBRICANT.



VIEW C



VIEW Z  
SAME AS VIEW C EXCEPT AS SHOWN



VIEW D

	VIEW	B	A	FINISH	PART NUMBER
SUPERCEDED BY 9-329461-0	D	4.50 [.177]	-	△4	9-329461-2
	Z	4.50 [.177]	4.11 [.162]	△4	9-329461-1
OBSOLETE	Z	4.50 [.177]	4.11 [.162]	△4	9-329461-0
	D	4.50 [.177]	-	△3	3-329461-3
OBSOLETE	C	4.88 [.192]	4.22 [.166]	△3	2-329461-9
	Z	4.50 [.177]	4.11 [.162]	△4	2-329461-7
OBSOLETE	C	4.88 [.192]	4.22 [.166]	△2	2-329461-6
OBSOLETE	D	4.50 [.177]	-	△2	2-329461-2
	Z	4.50 [.177]	4.11 [.162]	△2	329461

THIS DRAWING IS A CONTROLLED DOCUMENT.		DWN J. L. GROFT 9-24-90	Tyco Electronics Corporation Harrisburg, PA, 17105-3608	
DIMENSIONS: MM [INCHES]		CHK M. SNEED 1-30-91	NAME FERRULE	
TOLERANCES UNLESS OTHERWISE SPECIFIED: 0 PLC ± - 1 PLC ± - 2 PLC ± 0.38 [.015] 3 PLC ± - 4 PLC ± - ANGLES ± -		APVD R. HENRY 1-30-91	SIZE A2	CAGE CODE 00779
MATERIAL SEE NOTES		PRODUCT SPEC -	DRAWING NO C=329461	RESTRICTED TO -
FINISH SEE NOTES		APPLICATION SPEC -	SCALE 10:1	SHEET 1 OF 1
		WEIGHT -	CUSTOMER DRAWING	REV AK

329461

## X-ON Electronics

Largest Supplier of Electrical and Electronic Components

*Click to view similar products for [RF Connector Accessories](#) category:*

*Click to view products by [TE Connectivity](#) manufacturer:*

Other Similar products are found below :

[89674-0712](#) [F702RX24](#) [FERRULE-174](#) [R141802000](#) [R141805000](#) [R141842000](#) [R161862000](#) [R161862000W](#) [R280752000](#) [R280907000](#)  
[R694261906](#) [RFI21-13](#) [RFI75-13-D2](#) [RFI75-4-D2](#) [AX102906](#) [AX102907](#) [18097-0013](#) [HP-375](#) [HP-500](#) [2098-0294-00](#) [2098-3251-94](#) [KA-](#)  
[81-05](#) [89674-0805](#) [F1](#) [FERRULE-223](#) [202102-11](#) [213337-1](#) [220222-2](#) [24092671A](#) [24092678A](#) [R161841000](#) [R280468000](#) [R280510000](#)  
[R282862060](#) [RFI155-1](#) [RFI25-12-D3](#) [RFI25-5](#) [RFI25-5-D3](#) [RFI75-12-D2](#) [RFI75-2-D2](#) [RFI75-4-D3](#) [RFI77-6](#) [RFI97-14](#)  
[360HS001M2508M6](#) [4-1532137-4](#) [5-21085-0](#) [105274-1000](#) [111062-0490](#) [112122-SOD-LUG](#) [112-NUT-KNURL](#)