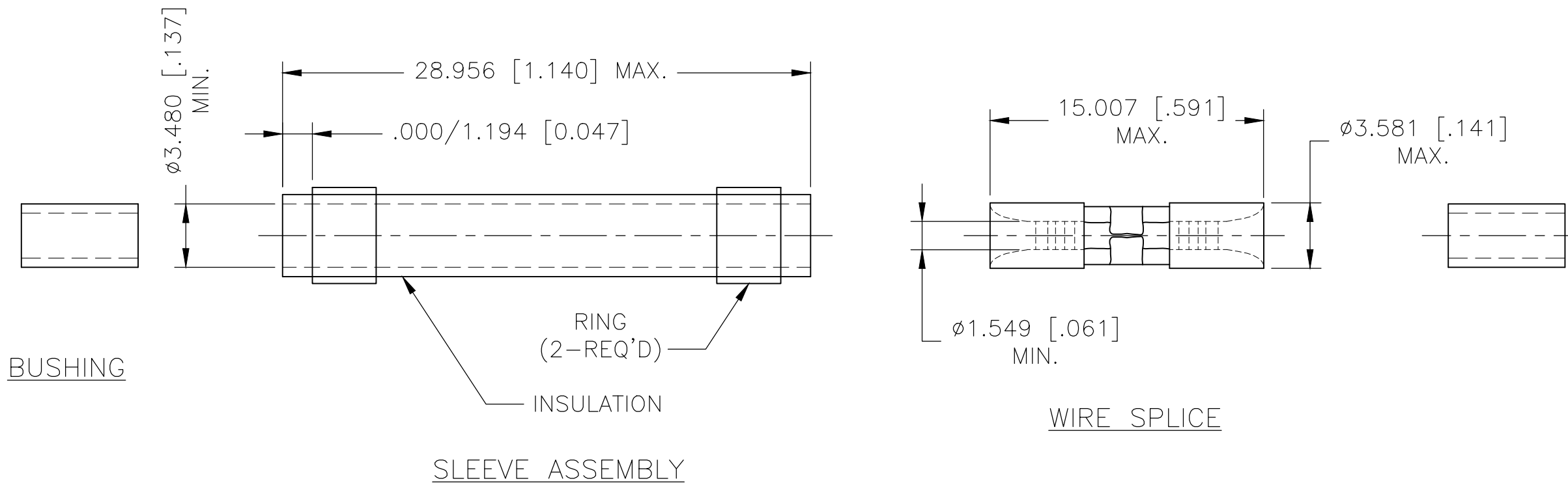
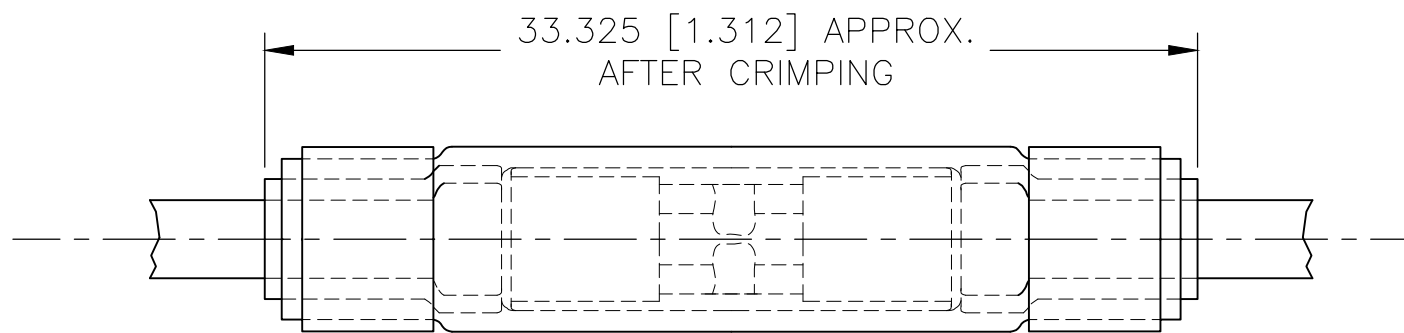


REVISIONS					
P	LTR	DESCRIPTION	DATE	DWN	APVD
	C	REVISED PER ECO-20-008004	11JUN2020	KR	DR



FOR 1.651(.064) TO 2.235(.088) WIRE INSULATION DIA.

329647	BAGGED KIT - LOOSE PIECE	1000
PART NUMBER	PACKAGE TYPE	QTY.

QTY	DESCRIPTION	MATERIAL AND FINISH
2	BUSHING	PTFE PER ASTM D3295, COLOR: NATURAL
1	WIRE SPLICE	COPPER (PER ASTM B152) GOLD PL. PER ASTM B488, TYPE II, 0.000127(.000050) MIN. EXT THK OVER NICKEL PL PER SAE AMS QQ-N-290 0.00762(.00030) MIN. EXT THK
1	SLEEVE ASSY	INSULATION: PTFE PER ASTM D3295, COLOR: NATURAL RING:ALUM(QQ-A-250/1) COLOR RED

THIS DRAWING IS A CONTROLLED DOCUMENT.		DWN 11JUN2020 RAGHAVENDRA K	STE TE Connectivity													
DIMENSIONS: mm [INCHES]		CHK 11JUN2020 DANIEL ROHDE			NAME											
TOLERANCES UNLESS OTHERWISE SPECIFIED:		APVD 11JUN2020 DANIEL ROHDE	WIRE SPLICE KIT, BUTT, POST INSULATED, STRATO-THERM, WIRE SIZE: 18-16 AWG													
<table border="0"> <tr> <td>0 PLC</td> <td>± -</td> </tr> <tr> <td>1 PLC</td> <td>± -</td> </tr> <tr> <td>2 PLC</td> <td>± -</td> </tr> <tr> <td>3 PLC</td> <td>± 0.127(.005)</td> </tr> <tr> <td>4 PLC</td> <td>± -</td> </tr> <tr> <td>ANGLES</td> <td>± -</td> </tr> </table>		0 PLC	± -	1 PLC	± -	2 PLC	± -	3 PLC	± 0.127(.005)	4 PLC	± -	ANGLES	± -	PRODUCT SPEC	RESTRICTED TO	
0 PLC	± -															
1 PLC	± -															
2 PLC	± -															
3 PLC	± 0.127(.005)															
4 PLC	± -															
ANGLES	± -															
MATERIAL SEE TABLE		APPLICATION SPEC	SIZE	CAGE CODE												
FINISH SEE TABLE		WEIGHT	DRAWING NO	REV												
		CUSTOMER DRAWING	A300779	C-329647												
		SCALE	SHEET	REV												
		1:1	1 OF 1	C												

X-ON Electronics

Largest Supplier of Electrical and Electronic Components

Click to view similar products for [Terminals](#) category:

Click to view products by [TE Connectivity](#) manufacturer:

Other Similar products are found below :

[HT-13-10](#) [71M-250-32-NB](#) [01-2065-1-0216](#) [00581P0075](#) [M10-10RX](#) [M10BCK](#) [60205-1](#) [604200-1](#) [60598-1-CUT-TAPE](#) [60617-1-C](#) [60873-1](#) [M14-516R/SK](#) [M14-6RSX](#) [M18-8FBX](#) [M18-8R/LX](#) [M18BCK](#) [61314-6-C](#) [61-S](#) [61-SN-A](#) [62-NBM-A](#) [63-S](#) [640179-1](#) [640917-2-CUT-TAPE](#) [6501550002](#) [66107-2-C](#) [696683-1](#) [696834-1](#) [696861-1](#) [696931-1](#) [696999-1](#) [M8-516RK](#) [M86700006](#) [MA250DMFMX-A](#) [701-2007](#) [701-2307](#) [701-7761-03](#) [70F-110-32-PB](#) [718-N-A](#) [71M-187-20-NBL](#) [71M-250-32-NBL](#) [72F-187-20-NBL](#) [72M-250-32-NBL](#) [7310](#) [73F-250-32](#) [73F-250-32-NL](#) [F14-10C](#) [F-1M](#) [751-250](#) [76650-5002](#) [76828-149](#)