

THIS DRAWING IS UNPUBLISHED.

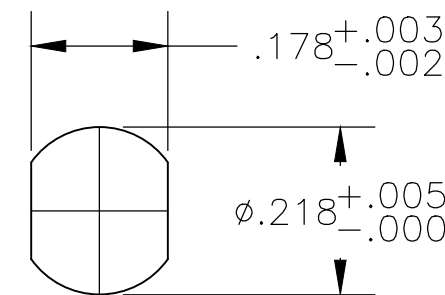
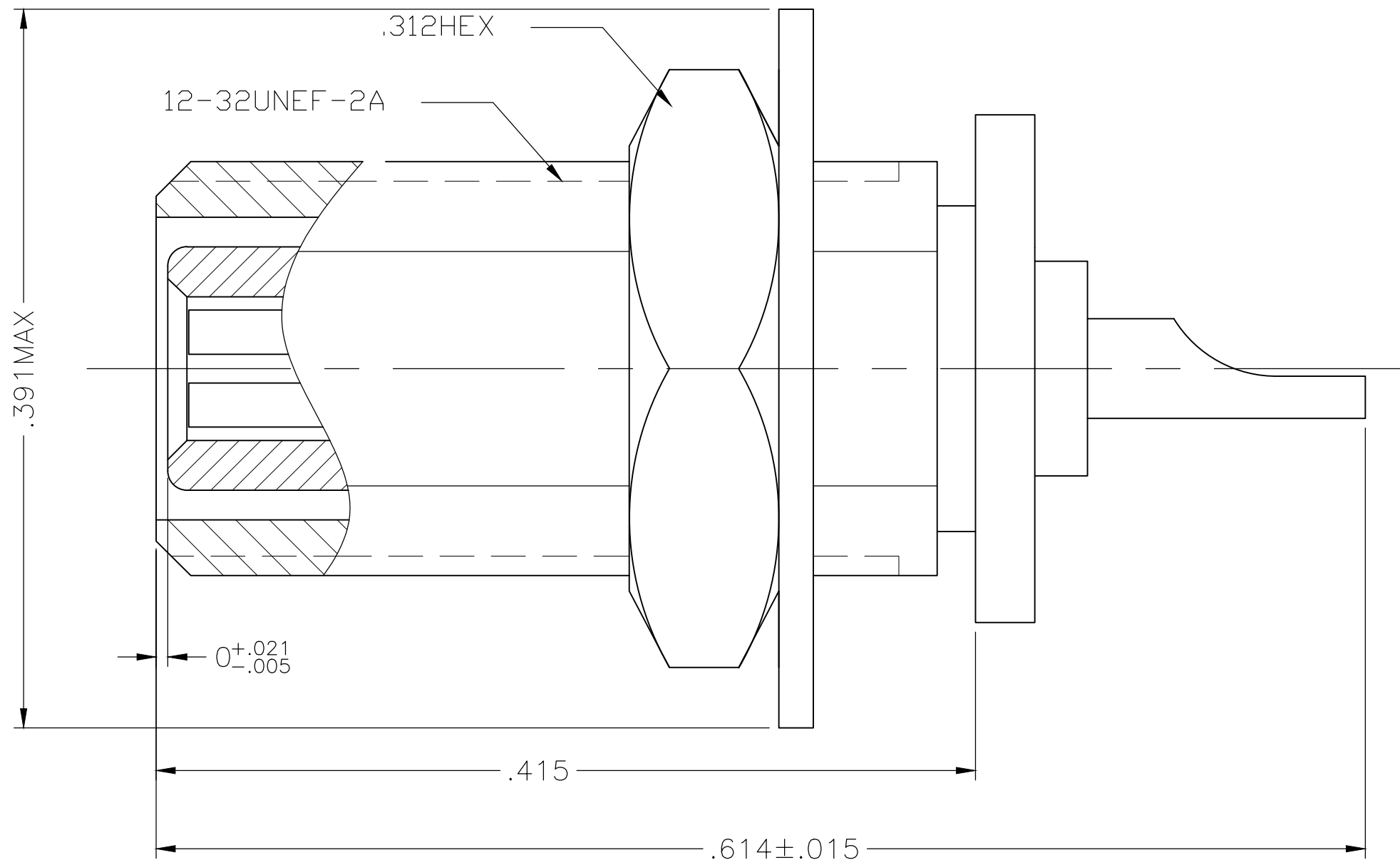
RELEASED FOR PUBLICATION

REVISIONS

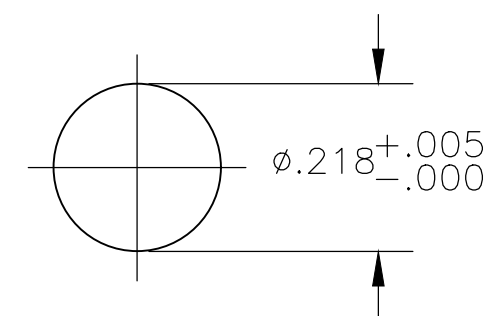
© COPYRIGHT - TE Connectivity Ltd.

ALL RIGHTS RESERVED.

P	LTR	DESCRIPTION	DATE	DWN	APVD
	J1	ECO-18-017129	30OCT2018	RZ	RS



SUGGESTED PANEL CUTOUT FOR 329852(NO DASH No.) AND 5-0 ASSYS



SUGGESTED PANEL CUTOUT FOR -2 ASSY

5-328691-0	5-328690-0	5-330308-0	5-329852-0
1-328691-2	1-328690-2	222073-1	329852-2
328691	328690	330308	329852
③ WASHER LOCK QTY = 1	② NUT JAM QTY = 1	① SOLDER RCPT ASSY QTY = 1	PART NO

- PARTS PACKAGED UNASSEMBLED
- SEE I.S. 1771
- FOR USE WITH 22 AWG MAX CABLE
- .125 MAX PANEL THICKNESS
- WEIGHT = .062 OZ

THIS DRAWING IS A CONTROLLED DOCUMENT.		DWN M. O'BRINE 26JAN01	STE TE Connectivity														
		CHK T. ALLEN 26JAN01															
DIMENSIONS: INCHES		APVD T. ALLEN 26JAN01	NAME CONNECTOR, COAXIAL, RF RCPT, SOLDER SERIES, MINIATURE THD														
TOLERANCES UNLESS OTHERWISE SPECIFIED:		PRODUCT SPEC 108-12013	RESTRICTED TO														
<table border="0"> <tr><td>0 PLC</td><td>± -</td></tr> <tr><td>1 PLC</td><td>± -</td></tr> <tr><td>2 PLC</td><td>± -</td></tr> <tr><td>3 PLC</td><td>± .016</td></tr> <tr><td>4 PLC</td><td>± -</td></tr> <tr><td>ANGLES</td><td>± -</td></tr> </table>		0 PLC	± -	1 PLC	± -	2 PLC	± -	3 PLC	± .016	4 PLC	± -	ANGLES	± -	APPLICATION SPEC -	SIZE A3	CAGE CODE 00779	DRAWING NO C-329852
0 PLC	± -																
1 PLC	± -																
2 PLC	± -																
3 PLC	± .016																
4 PLC	± -																
ANGLES	± -																
MATERIAL -		FINISH -	WEIGHT 0.000000	SCALE 1:1	SHEET 1 OF 1												
CUSTOMER DRAWING			REV J1														

X-ON Electronics

Largest Supplier of Electrical and Electronic Components

Click to view similar products for [RF Connectors / Coaxial Connectors](#) category:

Click to view products by [TE Connectivity](#) manufacturer:

Other Similar products are found below :

[R125315120](#) [8915-1511-000](#) [89674-0827](#) [5916-1103-603](#) [6-0001-3](#) [6001-7071-019](#) [6002-7051-003](#) [6002-7551-202](#) [6059674-1](#) [619550-1](#)
[630059-000](#) [M39012/25-0021](#) [M39012/79-3008](#) [M39030/3-01N](#) [M39030/3-03N](#) [M3933/25-36N](#) [6500-7071-046](#) [M83723/72W24576](#)
[M83723/72W2457N](#) [6769](#) [CX050L2AQ](#) [7002-1541-010](#) [7002-1572-002](#) [7003-1572-002](#) [7010-1511-000](#) [7029-1511-060](#) [7101-1541-010](#)
[7101-1571-002](#) [7105-1521-002](#) [7145-1521-002](#) [7209-1511-011](#) [7210-1511-015](#) [7210-1511-019](#) [7225-1512-050](#) [7242-1511-000](#) [73137-5015](#)
[73251-0111](#) [73251-0672](#) [7325-1512-000](#) [73276-1501](#) [73366-0013](#) [73404-2300](#) [73413-6080](#) [73415-5721](#) [7405-1521-005](#) [7405-1521-802](#)
[7406-1521-005](#) [804S01D04M040](#) [8145-1521-002](#) [81590](#)