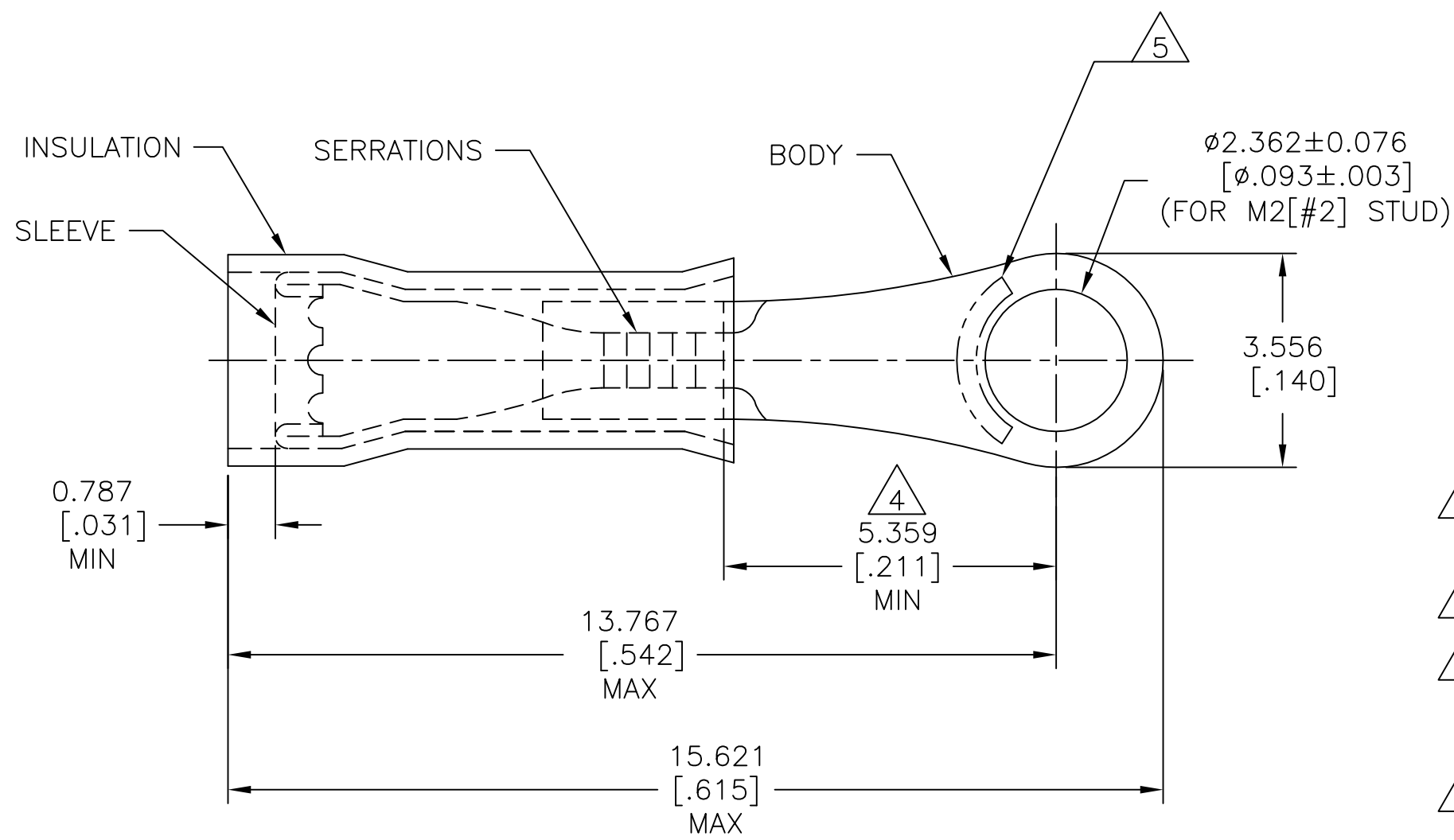


REVISIONS					
P	LTR	DESCRIPTION	DATE	DWN	APVD
	G1	REVISED PER ECR-09-017960	28AUG09	HMR	JR
	G2	REVISED PER ECO-17-007400	01DEC2017	RS	DR



AMP
 WIRE RANGE
 26-22 AWG
 STRANDED

- 1 FOR $\phi 1.270[\phi 0.050]$ TO $\phi 2.083[\phi 0.082]$ WIRE INSULATION.
- 2 BODY MATERIAL THK = $0.457 \pm 0.051[.018 \pm .002]$
- 3 NOTE DELETED.
- 4 APPLIES FROM THE METAL EDGE OF THE BARREL TO THE CENTER OF THE STUD.
- 5 STAMP AMP APPROX AS SHOWN.
- 6 MATERIAL:
 BODY & SLEEVE: COPPER (ASTM-B152)
 INSULATION: NYLON (ASTM-D4066) TYPE 1.
- 7 FINISH:
 BODY & SLEEVE: TIN PLATED (ASTM-B545)
 INSULATION: COLOR-YELLOW.

1000	LOOSE PIECE	329951
QTY	PACKAGE TYPE	PART NO

AMP INCORPORATED CUSTOMER SERVICE SYSTEMS		THIS DRAWING IS A CONTROLLED DOCUMENT.		DWN RAGHAVENDRA 28AUG09	STE TE Connectivity		
FOR ADDITIONAL PRODUCT INFORMATION OR COPIES OF DRAWINGS AND TECHNICAL DOCUMENTS		DIMENSIONS: mm [INCHES]		CHK JEFF RUTH 28AUG09			
PRODUCT INFORMATION CENTER 1-800-522-6752		TOLERANCES UNLESS OTHERWISE SPECIFIED:		APVD TOM MICHIELUTTI 28AUG09	NAME WIRE TERMINAL PIDG - RING TONGUE WIRE SIZE: 26-22 AWG		
FOR APPLICATION TOOLING ASSISTANCE CENTER TOOLING INFORMATION 1-800-722-1111		MAX RECOMMENDED OPERATING TEMPERATURE: 105°C[221°F] MAX		PRODUCT SPEC -	SIZE A3		
TOOLING ASSISTANCE CENTER 1-800-722-1111		VOLTAGE RATING: 300 V MAX		APPLICATION SPEC 114-2157	CAGE CODE 00779	DRAWING NO C-329951	RESTRICTED TO -
FOR ORDER ENTRY 1-800-526-5142		WIRE CROSS SECTIONAL AREA RANGE, 0.10-0.41mm ² [202-810] STRANDED		FINISH 6	WEIGHT -	SCALE 10:1	SHEET 1 OF 1
				7	CUSTOMER DRAWING		REV G2

X-ON Electronics

Largest Supplier of Electrical and Electronic Components

Click to view similar products for [Terminals](#) category:

Click to view products by [TE Connectivity](#) manufacturer:

Other Similar products are found below :

[00-054007-01074-6](#) [00-054007-70206-1](#) [00-054007-70210-8](#) [00-054007-70217-7](#) [00-054007-70226-9](#) [00-054007-70228-3](#) [00-054007-70248-1](#) [00-054007-70256-6](#) [00-054007-70301-3](#) [00-054007-70316-7](#) [0-0320562-0](#) [00-054007-49560-4](#) [00-054007-70209-2](#) [00-054007-70225-2](#) [00-054007-70227-6](#) [00-054007-70231-3](#) [00-054007-70241-2](#) [00-054007-70242-9](#) [00-054007-70244-3](#) [00-054007-70246-7](#) [00-054007-70263-4](#) [00-054007-70288-7](#) [00-054007-70290-0](#) [00-054007-70300-6](#) [00-054007-70304-4](#) [01-2065-1-0216](#) [01-2900-1-04412](#) [00581P0075](#) [600TS-10](#) [60205-1](#) [604200-1](#) [605601-1](#) [60598-1-CUT-TAPE](#) [61314-6-C](#) [61810-3](#) [61-S](#) [61-SN](#) [626-0194](#) [62-NBM-A](#) [62-SN](#) [62-SP](#) [63-S](#) [640179-1](#) [M55155/059I03](#) [M55155/079C01](#) [M55155/099H02](#) [M55155/109H01](#) [M55155/109H02](#) [M55155/12XH05](#) [M55155/16XH02](#)