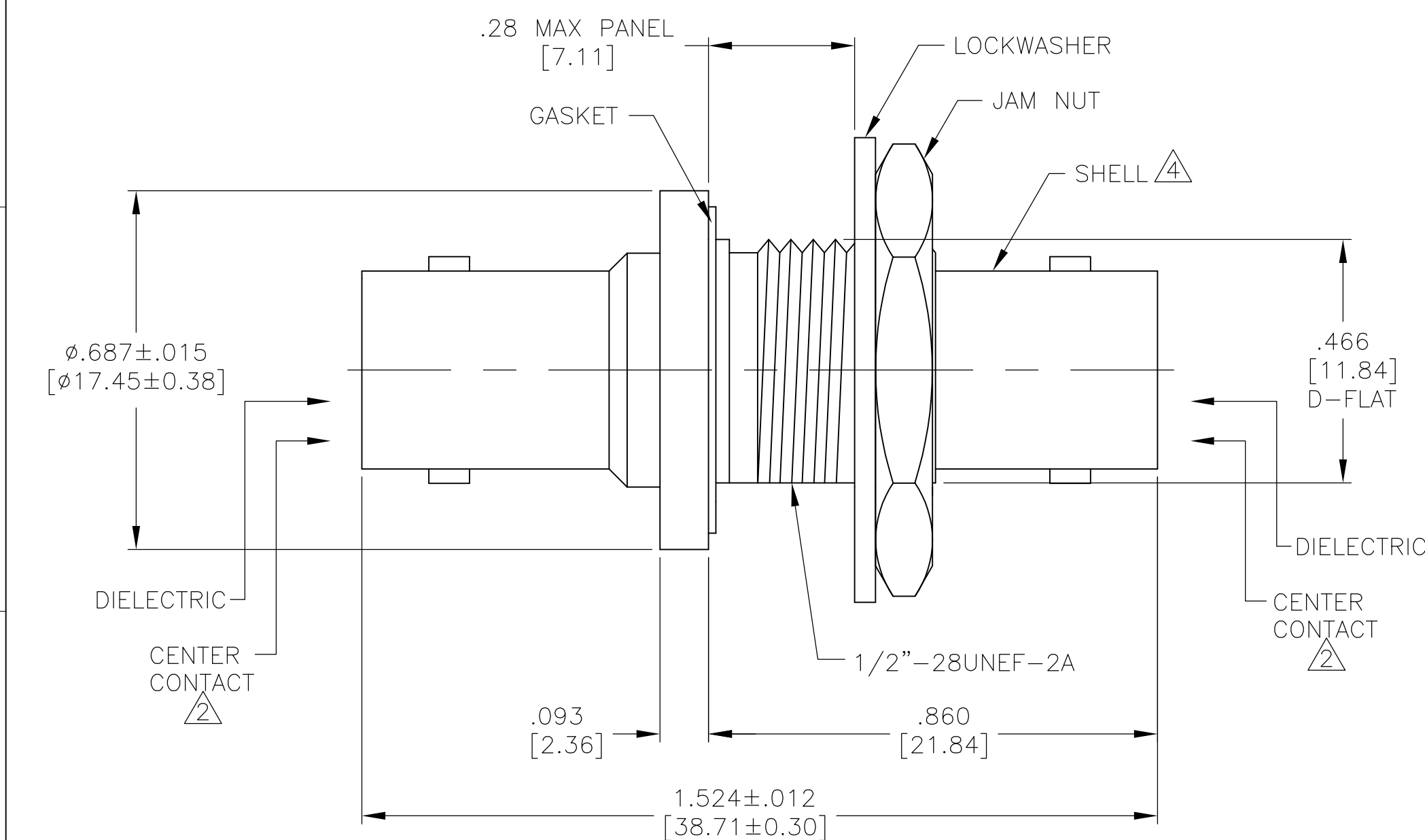
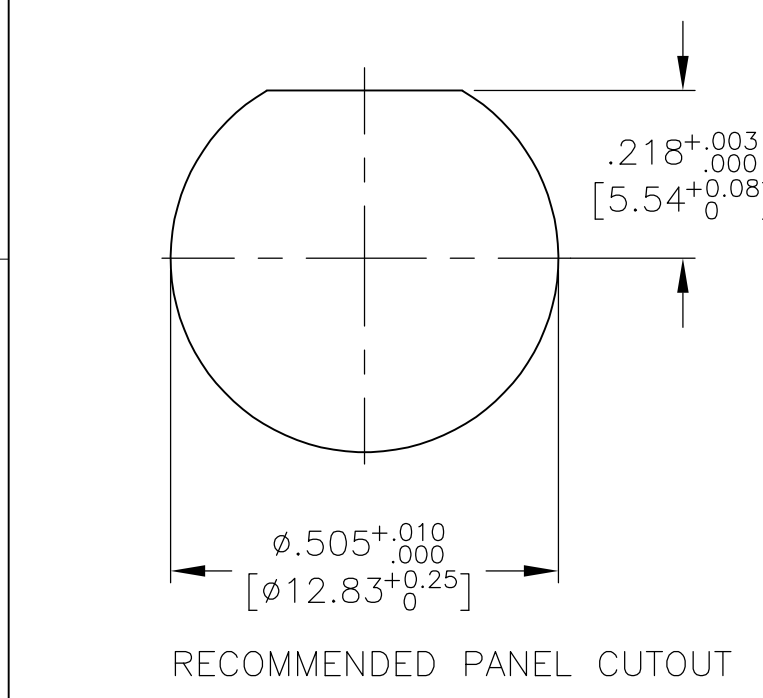


THIS DRAWING IS UNPUBLISHED. RELEASED FOR PUBLICATION
 © COPYRIGHT - By - ALL RIGHTS RESERVED.

| | | | | | | | |
|-----|------|-----------|-----|-----------------------|-----------|-----|------|
| LOC | DIST | REVISIONS | | | | | |
| AJ | 16 | P | LTR | DESCRIPTION | DATE | DWN | APVD |
| | | | | | | | |
| | | K1 | | REV PER ECR-15-005272 | 03APR2015 | RZ | MC |



- 1 MATERIALS:
 DIELECTRIC: PTFE
 CENTER CONTACT: BERYLLIUM COPPER
 SHELL: BRASS
 GASKET: SILICONE
 LOCKWASHER: PHOSPHOR BRONZE
 JAM NUT: BRASS
- 2 SILVER PLATE PER QQ-S-365,
 5.08 um [.000200] MIN THICKNESS
- 3. PRODUCT MUST BE INTERMATEABLE
 PER MIL-C-39012
- 4 NICKEL PLATE PER QQ-N-290,
 2.54 um [.000100] MIN THICKNESS



330024
 PART NUMBER

| | | | | | | | | | | | | | | | |
|--|---|--------------|-------------|------------------|--|------|----|-----------|-------|------------|----------|---------------|--------|-----|----|
| THIS DRAWING IS A CONTROLLED DOCUMENT. | | DWN | M.E. COWHER | 2-28-92 | TE Connectivity NAME ADAPTER, JACK, BHD, BNC | | | | | | | | | | |
| DIMENSIONS: INCHES | | CHK | M. PHILLIPS | 3-2-92 | | | | | | | | | | | |
| TOLERANCES UNLESS OTHERWISE SPECIFIED: | | APVD | M.E. COWHER | 3-3-92 | | | | | | | | | | | |
| 0 PLC ± - 1 PLC ± - 2 PLC ± .03 3 PLC ± .005 4 PLC ± - ANGLES ± - | | PRODUCT SPEC | - | APPLICATION SPEC | | - | | | | | | | | | |
| MATERIAL | 1 | FINISH | 2 4 | WEIGHT | - | SIZE | A3 | CAGE CODE | 00779 | DRAWING NO | C-330024 | RESTRICTED TO | - | | |
| CUSTOMER DRAWING | | | | | | | | | | SCALE | 4:1 | SHEET | 1 OF 1 | REV | K1 |

X-ON Electronics

Largest Supplier of Electrical and Electronic Components

Click to view similar products for [RF Adapters - In Series](#) category:

Click to view products by [TE Connectivity](#) manufacturer:

Other Similar products are found below :

[5916-1103-603](#) [5918-1103-000](#) [5919-1503-000](#) [651A505](#) [82-5552](#) [9030-9523-502](#) [PN2C](#) [A0407000](#) [R114703000W](#) [R125704000](#)
[R125771001](#) [R141710000W](#) [R141723161](#) [R141730000](#) [R143730700](#) [R143770000](#) [R161703000W](#) [R161753000W](#) [R161791530W](#)
[R201705000](#) [R222705200](#) [R222M40010W](#) [R316754000](#) [R405006000](#) [R443162000](#) [AD78TL](#) [HRM-513S](#) [1996352-2](#) [2157155-1](#) [252169-75](#)
[AD158](#) [2101130-1](#) [252186](#) [R114704000W](#) [R114720000W](#) [R125705001](#) [R125705701](#) [R125771000](#) [R125771001W](#) [R125791501W](#)
[R127704001](#) [R127.870.001](#) [R127872001](#) [R141717000](#) [R142710000](#) [R142723000](#) [R143703000](#) [R143704000](#) [R143705700](#) [R161715000W](#)