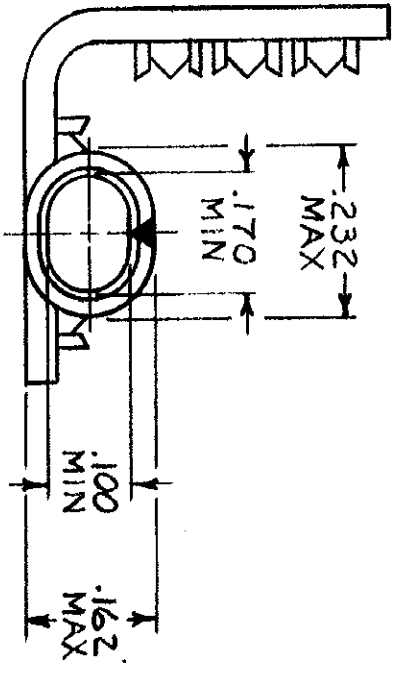
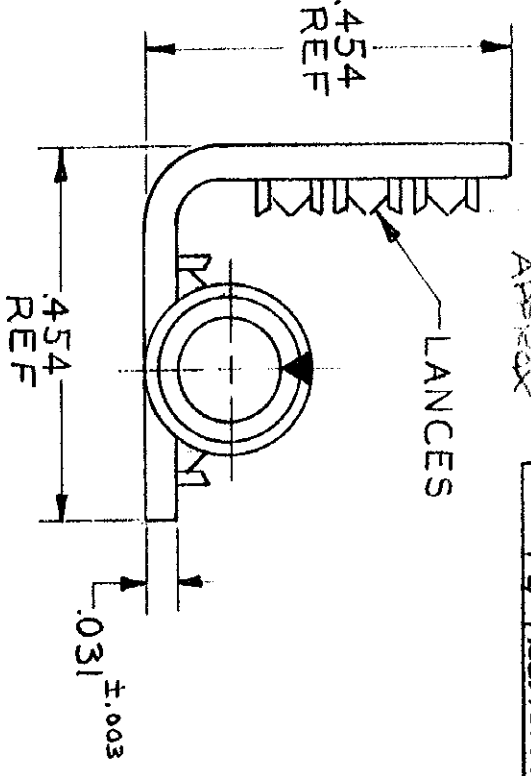
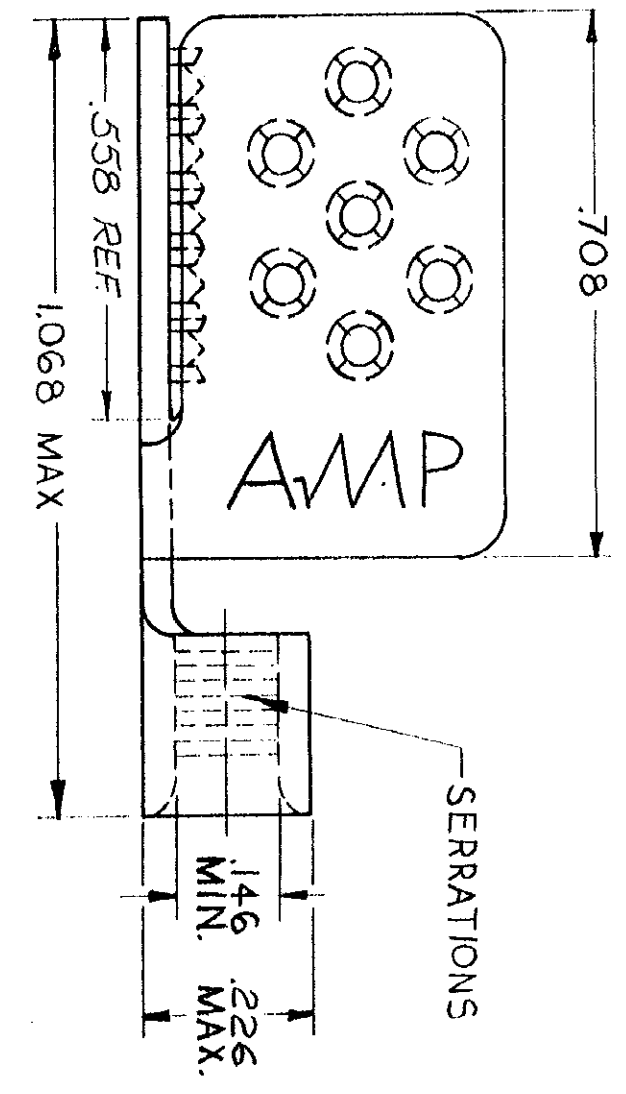


©1963 BY AMP INCORPORATED. ALL RIGHTS RESERVED. AMP PRODUCTS COVERED BY PATENTS AND/OR PATENTS PENDING.



FORMED VIEW (BARREL)
STYLE II

FORMED VIEW (BARREL)
STYLE I

ZONE	LTR	REVISIONS	DESCRIPTION	DATE	APPROVED
0	NPS	G2-145G		3/27/67	RHM
A	ADDED REF	70.454 DIM ECN E-334		7/9/67	RHM
B	REV PER	D.S. 2.1.2		9-1-71	FCY
C	ADDED	1-330716-2 NPS 74-1806		12-16-74	R.M. [unclear]
D	ADDED	.558 REF DIM. - ECN PC7536		7/28/75	JM/102
E	ADDED	1--3 P84-0031		5-7-74	QUANER
F	BBS	1--3 G-2841		8/15/82	182/m
G	REACTIVATE	1--3 G 4877		11-9-88	DKS/ [unclear]

1-330716-3	N/ PL (QQ-N-290) .0002 MIN EXT THK	II
1-330716-2	TIN PL (MIL-T-10727)	I
330716	NICKEL PL (QQ-N-290) .0002 MIN EXT THK	
PART NO.	FINISH	STYLE

AMP INFO
LOC PRINT DIST
HEAT TREAT
ANNEALED
FINISH SEE TABLE

UNLESS OTHERWISE SPECIFIED DIM. ARE IN INCHES. TOLERANCES ON: DECIMALS ±.008 ANGLES ±.5°
MATERIAL
COPPER
(QQ-C-576)
ANNEALED

CONTRACT NO. 4
3-27-67
DR. Wm. Young
CHK. S. [unclear] 7/27/67
APPD. Barabara 3-31-67
DESIGNED BY [unclear] 12/16/64
OTHER APPD. [unclear]

AMP INCORPORATED
HARRISBURG, PENNSYLVANIA
NAME
WIRE TERMINAL
TERMI-FOIL SOLISTRAND
WIRE SIZE: 12-10
CODE IDENT NO. B100779
NUMBER 330716
SCALE 4-1
WT. CALC ACTUAL
SHEET 1 OF 1

X-ON Electronics

Largest Supplier of Electrical and Electronic Components

Click to view similar products for [Terminals](#) category:

Click to view products by [TE Connectivity](#) manufacturer:

Other Similar products are found below :

[00-054007-01074-6](#) [00-054007-70206-1](#) [00-054007-70210-8](#) [00-054007-70217-7](#) [00-054007-70226-9](#) [00-054007-70228-3](#) [00-054007-70248-1](#) [00-054007-70256-6](#) [00-054007-70301-3](#) [00-054007-70316-7](#) [00-054007-49560-4](#) [00-054007-70209-2](#) [00-054007-70225-2](#) [00-054007-70227-6](#) [00-054007-70231-3](#) [00-054007-70241-2](#) [00-054007-70242-9](#) [00-054007-70244-3](#) [00-054007-70246-7](#) [00-054007-70263-4](#) [00-054007-70288-7](#) [00-054007-70290-0](#) [00-054007-70300-6](#) [00-054007-70304-4](#) [01-2065-1-0216](#) [01-2900-1-04412](#) [00581P0075](#) [600TS-10](#) [60205-1](#) [604200-1](#) [605601-1](#) [60598-1-CUT-TAPE](#) [61314-6-C](#) [61810-3](#) [61-S](#) [61-SN](#) [626-0194](#) [62-NBM-A](#) [62-SN](#) [62-SP](#) [63-S](#) [640179-1](#) [M55155/059I03](#) [M55155/079C01](#) [M55155/099H02](#) [M55155/109H01](#) [M55155/109H02](#) [M55155/12XH05](#) [M55155/16XH02](#) [M55155/29-5S](#)