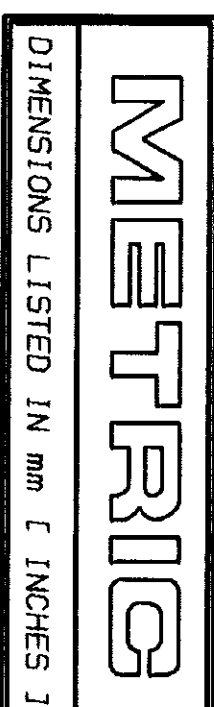
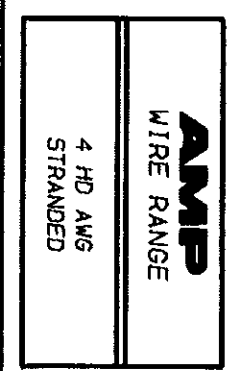
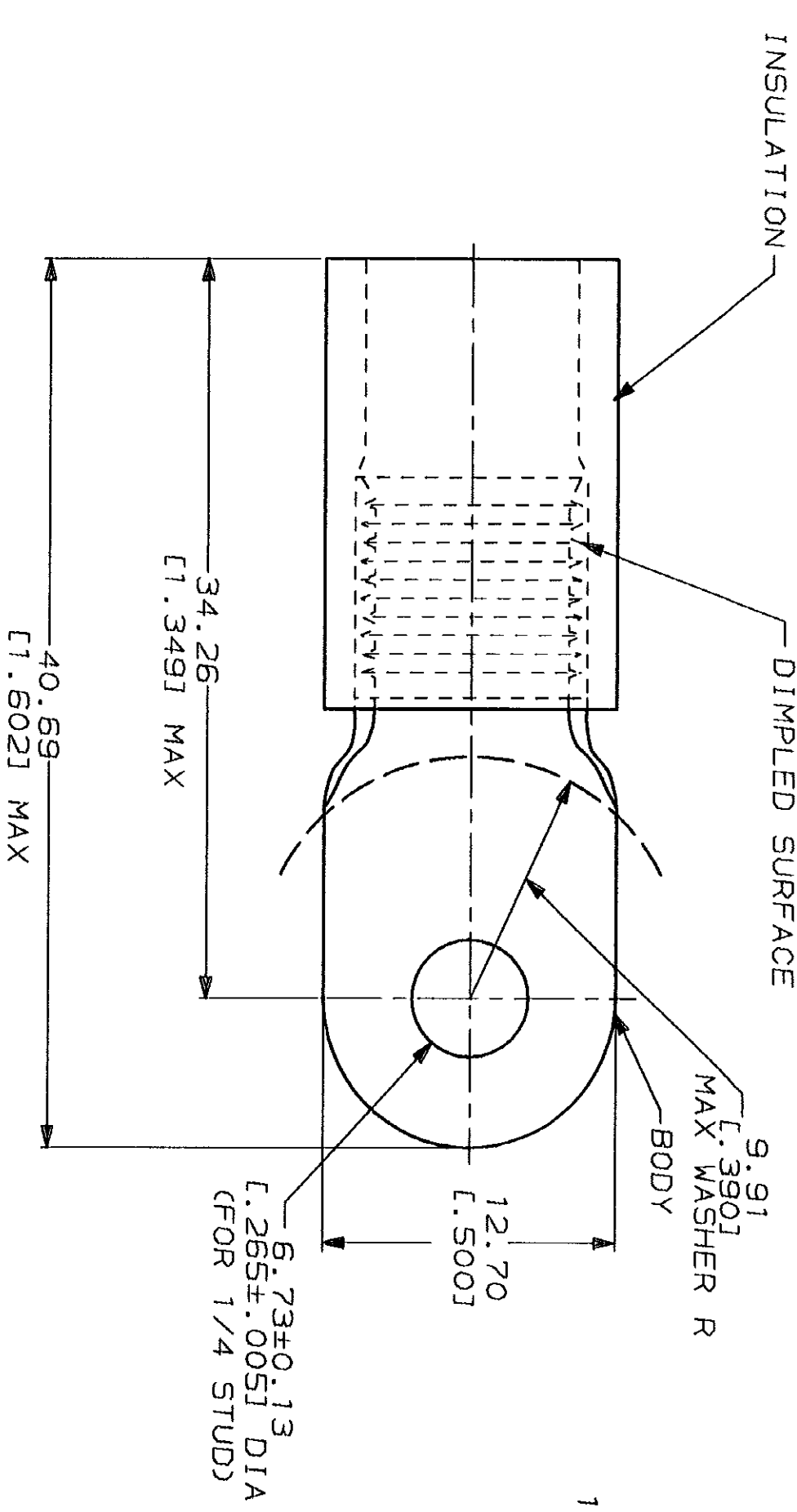


THIS DRAWING IS UNPUBLISHED. RELEASED FOR PUBLICATION BY AMP INCORPORATED. ALL INTERNATIONAL RIGHTS RESERVED. © COPYRIGHT 1989

LOC	DIST	P	ZONE	LTR	REVISIONS	DATE	APPD
G	14				EC 0720-0279-93	5-23-93	BB



1. TONGUE MATERIAL THK 2.31±0.08 [0.91±.004] FOR 11.25 [1.443] MAX WIRE INS DIA



AMP INCORPORATED
CUSTOMER SERVICE SYSTEMS

FOR ADDITIONAL PRODUCT INFORMATION OR COPIES OF DRAWINGS AND TECHNICAL DOCUMENTS	PRODUCT INFORMATION CENTER 1-800-522-6752	MAX RECOMMENDED OPERATING TEMPERATURE: 105°C	DO NOT SCALE PRINT. UNLESS SPECIFIED OTHERWISE. TOLERANCES ON: 1. PLC DEC ± 0.20 (L. 008) 2. PLC DEC ± . 3. ANGLES ± .	DR 6-23-93 S.S. GOLDEN	QTY	PACKAGE TYPE	PART NO
FOR APPLICATION	TOOLING ASSISTANCE CENTER 1-800-722-1111	VOLTAGE RATING: -	MATERIAL COPPER PER ASTM B-152 NYLON (MIL-M-20693) TYPE 1 COLOR: YELLOW	CHK 6-23-93 R. HERSEY		AMP	AMP Incorporated Harrisburg, PA 17105-3608
TOOLING INFORMATION	1-800-526-5142	CIRCULAR MIL AREA: 16.8-26.7mm² [33, 100-52, 600] STRANDED	FINISH TIN PLATE PER MIL-T-10727	APPD 6-23-93 B. BARE		TERMINAL, RING TONGUE, TERMINYL WIRE SIZE: 4 HD AWG	
FOR ORDER ENTRY				APPD 6-23-93 M. ELLIS		SIZE B	DRAWING NO G=330966
				PRODUCT SPEC		CASE CODE 00779	SHEET 1 OF 1
				APPLICATION SPEC		SCALE NTS	

X-ON Electronics

Largest Supplier of Electrical and Electronic Components

Click to view similar products for [Terminals](#) category:

Click to view products by [TE Connectivity](#) manufacturer:

Other Similar products are found below :

[00-054007-01074-6](#) [00-054007-70206-1](#) [00-054007-70210-8](#) [00-054007-70217-7](#) [00-054007-70226-9](#) [00-054007-70228-3](#) [00-054007-70248-1](#) [00-054007-70256-6](#) [00-054007-70301-3](#) [00-054007-70316-7](#) [0-0320562-0](#) [00-054007-49560-4](#) [00-054007-70209-2](#) [00-054007-70225-2](#) [00-054007-70227-6](#) [00-054007-70231-3](#) [00-054007-70241-2](#) [00-054007-70242-9](#) [00-054007-70244-3](#) [00-054007-70246-7](#) [00-054007-70263-4](#) [00-054007-70288-7](#) [00-054007-70290-0](#) [00-054007-70300-6](#) [00-054007-70304-4](#) [01-2065-1-0216](#) [01-2900-1-04412](#) [00581P0075](#) [600TS-10](#) [60205-1](#) [604200-1](#) [605601-1](#) [60598-1-CUT-TAPE](#) [61314-6-C](#) [61810-3](#) [61-S](#) [61-SN](#) [626-0194](#) [62-NBM-A](#) [62-SN](#) [62-SP](#) [63-S](#) [640179-1](#) [M55155/059I03](#) [M55155/079C01](#) [M55155/099H02](#) [M55155/109H01](#) [M55155/109H02](#) [M55155/12XH05](#) [M55155/16XH02](#)