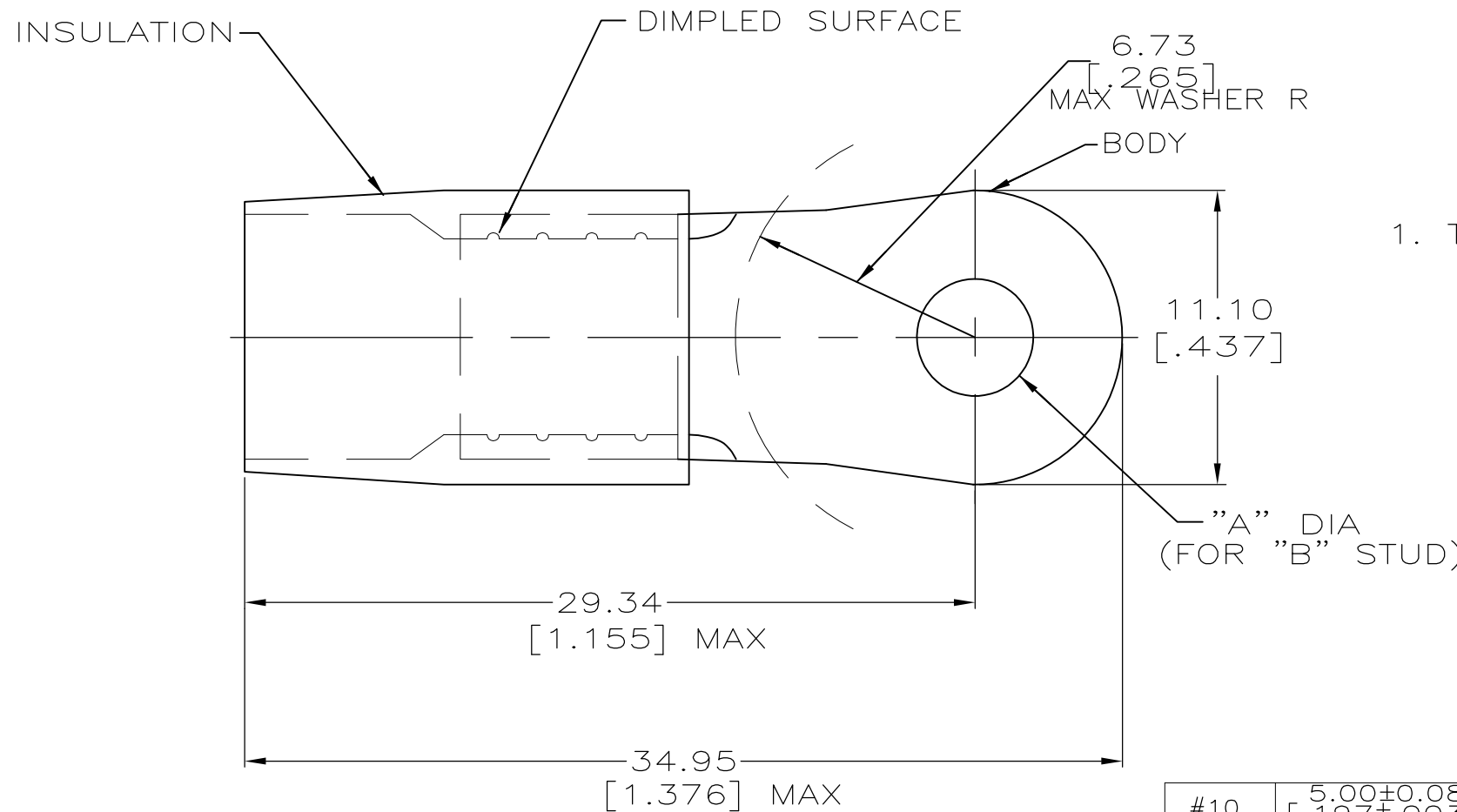


THIS DRAWING IS UNPUBLISHED. RELEASED FOR PUBLICATION -,-  
 © COPYRIGHT - By - ALL RIGHTS RESERVED.

| LOC | DIST | REVISIONS |     |                           |         |     |      |
|-----|------|-----------|-----|---------------------------|---------|-----|------|
| G   | 14   | P         | LTR | DESCRIPTION               | DATE    | DWN | APVD |
|     |      |           | D2  | REVISED PER ECO-11-004917 | 11MAR11 | RK  | HMR  |

**AMP**  
WIRE RANGE  
4 AWG  
STRANDED

**METRIC**  
DIMENSIONS LISTED IN mm [ INCHES ]



1. TONGUE MATERIAL THK 1.22±0.08 [.048±.003]  
FOR 9.70 [.382] MAX INS DIA

|     |                          |     |              |            |
|-----|--------------------------|-----|--------------|------------|
| #10 | 5.00±0.08<br>[.197±.003] | -   | LOOSE PC     | 1-331456-0 |
| #8  | 4.43±0.08<br>[.171±.003] | -   |              | 331456     |
| "B" | "A"                      | QTY | PACKAGE TYPE | PART NO    |

|  |  |   |  |  |                                |   |                    |
|--|--|---|--|--|--------------------------------|---|--------------------|
| <b>AMP INCORPORATED<br/>CUSTOMER SERVICE SYSTEMS</b>                             |  | MAX RECOMMENDED OPERATING TEMPERATURE:<br>105° c  | THIS DRAWING IS A CONTROLLED DOCUMENT.   |  | DWN<br>S.S. GOULDEN<br>6-21-93 | <b>STE</b> TE Connectivity                                  |                    |
| FOR ADDITIONAL PRODUCT INFORMATION OR COPIES OF DRAWINGS AND TECHNICAL DOCUMENTS | PRODUCT INFORMATION CENTER<br>1-800-522-6752 | VOLTAGE RATING:<br>-  | DIMENSIONS:<br>MM[INCHES]  | TOLERANCES UNLESS OTHERWISE SPECIFIED:   | CHK<br>R. HERSEY<br>6-21-93    | NAME<br>TERMINAL, RING TONGUE, TERMINYL<br>WIRE SIZE: 4 AWG |                    |
| FOR APPLICATION TOOLING INFORMATION  | TOOLING ASSISTANCE CENTER<br>1-800-722-1111  | CIRCULAR MIL AREA:<br>16.8-26.7mm² [33,100-52,600]<br>STRANDED  |  | 0 PLC ± -<br>1 PLC ± -<br>2 PLC ± 0.20[.008]<br>3 PLC ± -<br>4 PLC ± -<br>ANGLES ± - | APVD<br>B. BARE<br>6-21-93     | PRODUCT SPEC  | SIZE<br>A3         |
| FOR ORDER ENTRY  | 1-800-526-5142                               | THIS DRAWING IS A CONTROLLED DOCUMENT FOR AMP INCORPORATED. IT IS SUBJECT TO CHANGE AND THE CONTROLLING ENGINEERING ORGANIZATION SHOULD BE CONTACTED FOR THE LATEST REVISION. | MATERIAL<br>COPPER PER ASTM B-152<br>NYLON (MIL-M-20693) TYPE 1<br>COLOR: YELLOW | FINISH<br>TIN PLATE PER MIL-T-10727  | APPLICATION SPEC               | WEIGHT<br>-   | CAGE CODE<br>00779 |
|  |  |   | CUSTOMER DRAWING   |  | DRAWING NO<br>C-331456         | RESTRICTED TO<br>-  | SCALE<br>NTS       |
|  |  |   |  |  | SHEET<br>1 of 1                |   | REV<br>D2          |

## X-ON Electronics

Largest Supplier of Electrical and Electronic Components

*Click to view similar products for [Terminals](#) category:*

*Click to view products by [TE Connectivity](#) manufacturer:*

Other Similar products are found below :

[00-054007-01074-6](#) [00-054007-70206-1](#) [00-054007-70210-8](#) [00-054007-70217-7](#) [00-054007-70226-9](#) [00-054007-70228-3](#) [00-054007-70248-1](#) [00-054007-70256-6](#) [00-054007-70301-3](#) [00-054007-70316-7](#) [00-054007-49560-4](#) [00-054007-70209-2](#) [00-054007-70225-2](#) [00-054007-70227-6](#) [00-054007-70231-3](#) [00-054007-70241-2](#) [00-054007-70242-9](#) [00-054007-70244-3](#) [00-054007-70246-7](#) [00-054007-70263-4](#) [00-054007-70288-7](#) [00-054007-70290-0](#) [00-054007-70300-6](#) [00-054007-70304-4](#) [01-2065-1-0216](#) [01-2900-1-04412](#) [00581P0075](#) [600TS-10](#) [60205-1](#) [604200-1](#) [605601-1](#) [60598-1-CUT-TAPE](#) [61314-6-C](#) [61810-3](#) [61-S](#) [61-SN](#) [626-0194](#) [62-NBM-A](#) [62-SN](#) [62-SP](#) [63-S](#) [640179-1](#) [M55155/059I03](#) [M55155/079C01](#) [M55155/099H02](#) [M55155/109H01](#) [M55155/109H02](#) [M55155/12XH05](#) [M55155/16XH02](#) [M55155/29-5S](#)