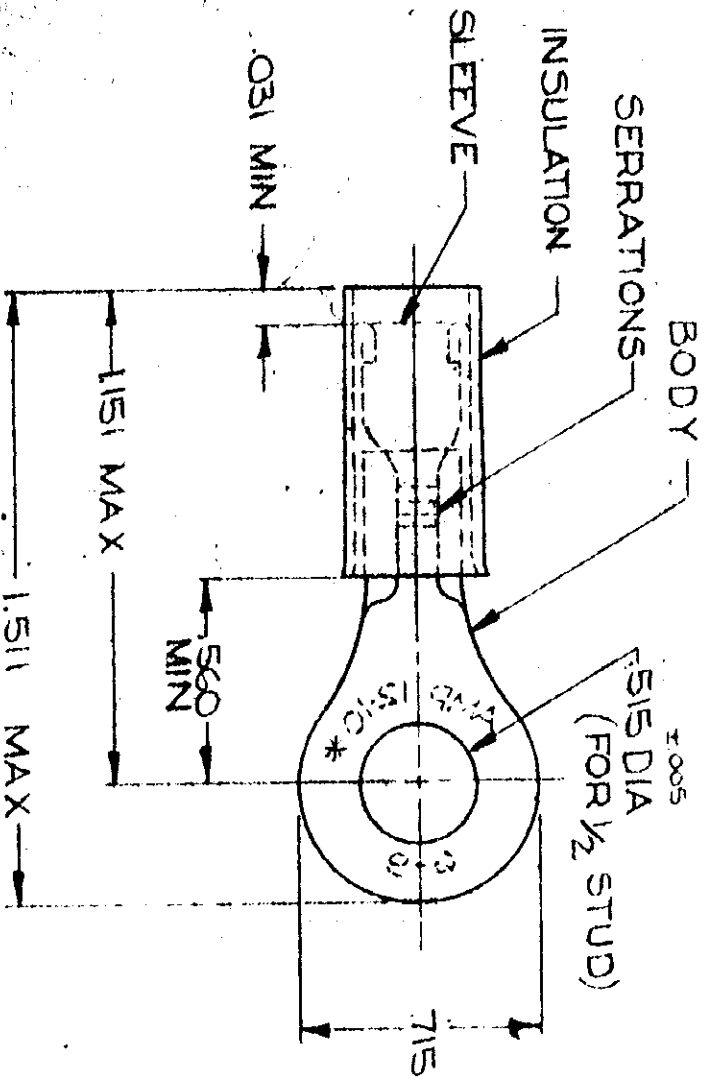


DRAWING MADE IN AMERICAN PROJECTION

LOC 6 14 5
PRINT DIST

©1964 BY AMP INCORPORATED. ALL RIGHTS RESERVED. AMP PRODUCTS COVERED BY PATENTS AND/OR PATENTS PENDING.

REVISIONS			
LTR	DESCRIPTION	DATE	APPROVED
3	REDRAWN & REV.	8-6-30	FCY



RETURN TO FILE

FOR .150 TO .230 WIRE INSULATION DIA.
TONGUE MATERIAL THK. = .040 ±.002

QTY	DESCRIPTION	PART NO.	MATERIAL & FINISH
1	WIRE TERMINAL	331467	BODY & SLEEVE: COPPER (QQ-C-576) TIN PL (MIL-T-10727) INSULATION: NYLON (MIL-M-20893) TYPE I COLOR: YELLOW

UNLESS OTHERWISE SPECIFIED DIMENSIONS ARE IN INCHES		TOLERANCES ON DECIMALS: ±.008 ANGLES ±.5	
MATERIAL		SEE TABLE	
CONTRACT NO.		331467	
DR:	APPROVED:	DATE:	3-17-71
CHK:	APPROVED:	DATE:	3-17-71
REL:	APPROVED:	DATE:	3-17-71
DSGN APPD:	APPROVED:	DATE:	3-17-71
OTHER APPD:			
NAME:	AMP		
WIRE TERMINAL	AMP INCORPORATED		
P.I.D.S.-RING TONGUE	HARRISBURG, PENNSYLVANIA		
WIRE SIZE: 12-10			
SIZE CODE IDENT NO.	NUMBER	331467	
A 00779			
SCALE:	SHEET	1 OF 1	

331467

X-ON Electronics

Largest Supplier of Electrical and Electronic Components

Click to view similar products for [Terminals](#) category:

Click to view products by [TE Connectivity](#) manufacturer:

Other Similar products are found below :

[00-054007-01074-6](#) [00-054007-70206-1](#) [00-054007-70210-8](#) [00-054007-70217-7](#) [00-054007-70226-9](#) [00-054007-70228-3](#) [00-054007-70248-1](#) [00-054007-70256-6](#) [00-054007-70301-3](#) [00-054007-70316-7](#) [0-0320562-0](#) [00-054007-49560-4](#) [00-054007-70209-2](#) [00-054007-70225-2](#) [00-054007-70227-6](#) [00-054007-70231-3](#) [00-054007-70241-2](#) [00-054007-70242-9](#) [00-054007-70244-3](#) [00-054007-70246-7](#) [00-054007-70263-4](#) [00-054007-70288-7](#) [00-054007-70290-0](#) [00-054007-70300-6](#) [00-054007-70304-4](#) [01-2065-1-0216](#) [01-2900-1-04412](#) [00581P0075](#) [600TS-10](#) [60205-1](#) [604200-1](#) [605601-1](#) [60598-1-CUT-TAPE](#) [61314-6-C](#) [61810-3](#) [61-S](#) [61-SN](#) [626-0194](#) [62-NBM-A](#) [62-SN](#) [62-SP](#) [63-S](#) [640179-1](#) [M55155/059I03](#) [M55155/079C01](#) [M55155/099H02](#) [M55155/109H01](#) [M55155/109H02](#) [M55155/12XH05](#) [M55155/16XH02](#)