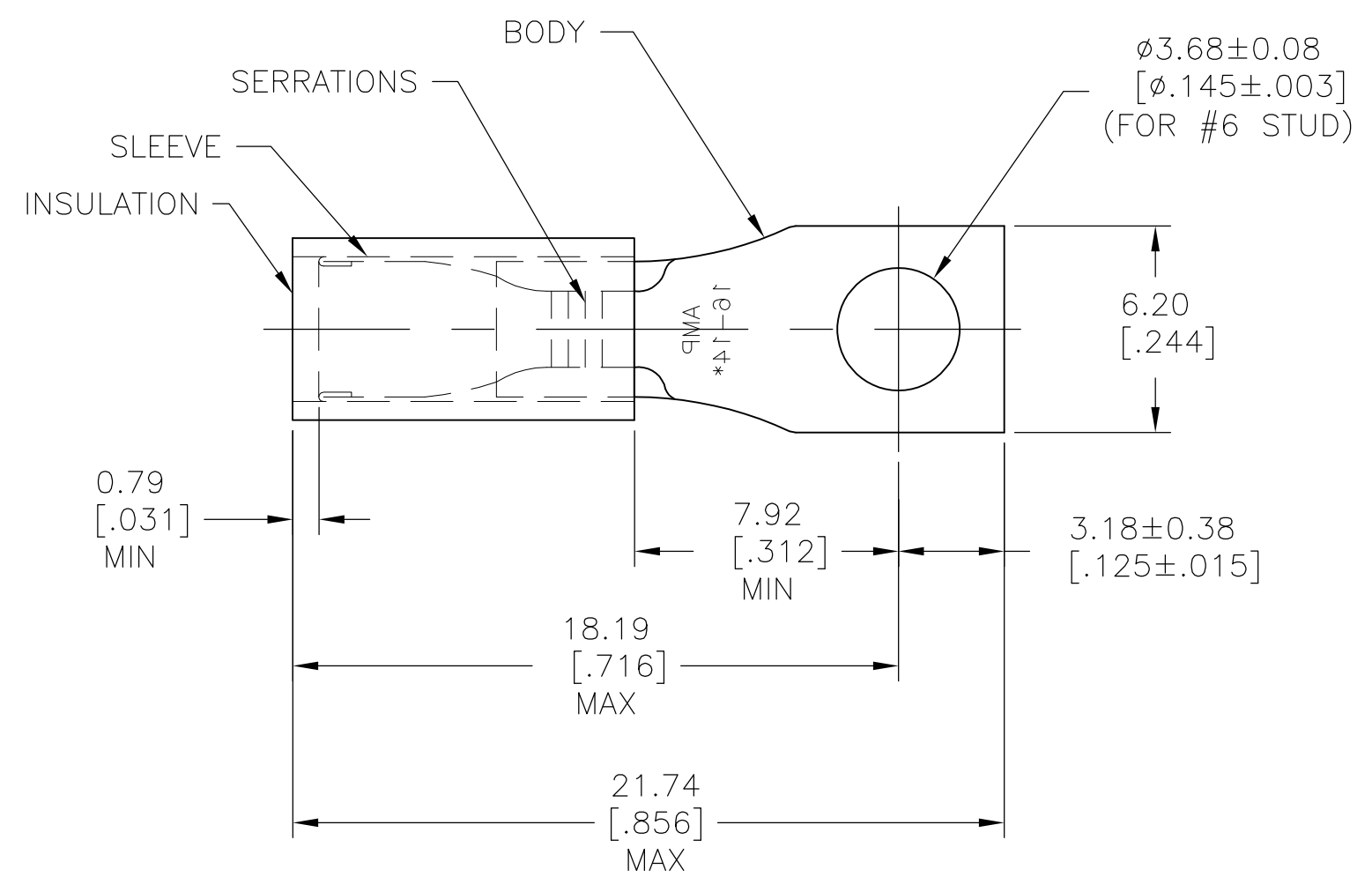


THIS DRAWING IS UNPUBLISHED. RELEASED FOR PUBLICATION  
 © COPYRIGHT BY TYCO ELECTRONICS CORPORATION. ALL INTERNATIONAL RIGHTS RESERVED.

LOC	DIST	REVISIONS					
G	14	P	LTR	DESCRIPTION	DATE	DWN	APVD
			E1	REVISED PER ECR-09-005960	14APR09	HMR	JR



△ 1 SUPERSEDED BY 33172

TONGUE MATERIAL THK =  $0.79 \pm 0.05$  [  $.031 \pm .002$  ]  
 FOR 2.67 [  $.105$  ] TO 3.81 [  $.150$  ] WIRE INS. DIA

1	33172 ON TAPE	2-33172-1	INSULATION: NYLON COLOR: BLUE SLEEVE: COPPER (ASTM-B152) BODY: COPPER (ASTM-B152) TIN PL (ASTM-B545)
1	WIRE TERMINAL	33172	
QTY	DESCRIPTION	PART NO	MATERIAL & FINISH

THIS DRAWING IS A CONTROLLED DOCUMENT.		DWN	RAGHAVENDRA	14APR09	Tyco Electronics Corporation Harrisburg, PA 17105-3608		
DIMENSIONS: mm [INCHES]		CHK	JEFF RUTH	14APR09			
TOLERANCES UNLESS OTHERWISE SPECIFIED:		APVD	Tom Michielutti	14APR09	NAME		
0 PLC ± - 1 PLC ± - 2 PLC ± - 3 PLC ± 0.20 [ .008 ] 4 PLC ± - ANGLES ± 5°		PRODUCT SPEC		WIRE TERMINAL			
MATERIAL SEE TABLE		FINISH SEE TABLE		APPLICATION SPEC		P.I.D.G.-RECTANGULAR TONGUE	
		WEIGHT -		SIZE		CAGE CODE	DRAWING NO
		CUSTOMER DRAWING		A3 00779		G-33172	
		SCALE		SHEET		REV	
		5:1		1 OF 1		E1	

## X-ON Electronics

Largest Supplier of Electrical and Electronic Components

*Click to view similar products for [Terminals](#) category:*

*Click to view products by [TE Connectivity](#) manufacturer:*

Other Similar products are found below :

[00-054007-01074-6](#) [00-054007-70206-1](#) [00-054007-70210-8](#) [00-054007-70217-7](#) [00-054007-70226-9](#) [00-054007-70228-3](#) [00-054007-70248-1](#) [00-054007-70256-6](#) [00-054007-70301-3](#) [00-054007-70316-7](#) [00-054007-49560-4](#) [00-054007-70209-2](#) [00-054007-70225-2](#) [00-054007-70227-6](#) [00-054007-70231-3](#) [00-054007-70241-2](#) [00-054007-70242-9](#) [00-054007-70244-3](#) [00-054007-70246-7](#) [00-054007-70263-4](#) [00-054007-70288-7](#) [00-054007-70290-0](#) [00-054007-70300-6](#) [00-054007-70304-4](#) [01-2065-1-0216](#) [01-2900-1-04412](#) [00581P0075](#) [600TS-10](#) [60205-1](#) [604200-1](#) [605601-1](#) [60598-1-CUT-TAPE](#) [61314-6-C](#) [61810-3](#) [61-S](#) [61-SN](#) [626-0194](#) [62-NBM-A](#) [62-SN](#) [62-SP](#) [63-S](#) [640179-1](#) [M55155/059I03](#) [M55155/079C01](#) [M55155/099H02](#) [M55155/109H01](#) [M55155/109H02](#) [M55155/12XH05](#) [M55155/16XH02](#) [M55155/29-5S](#)