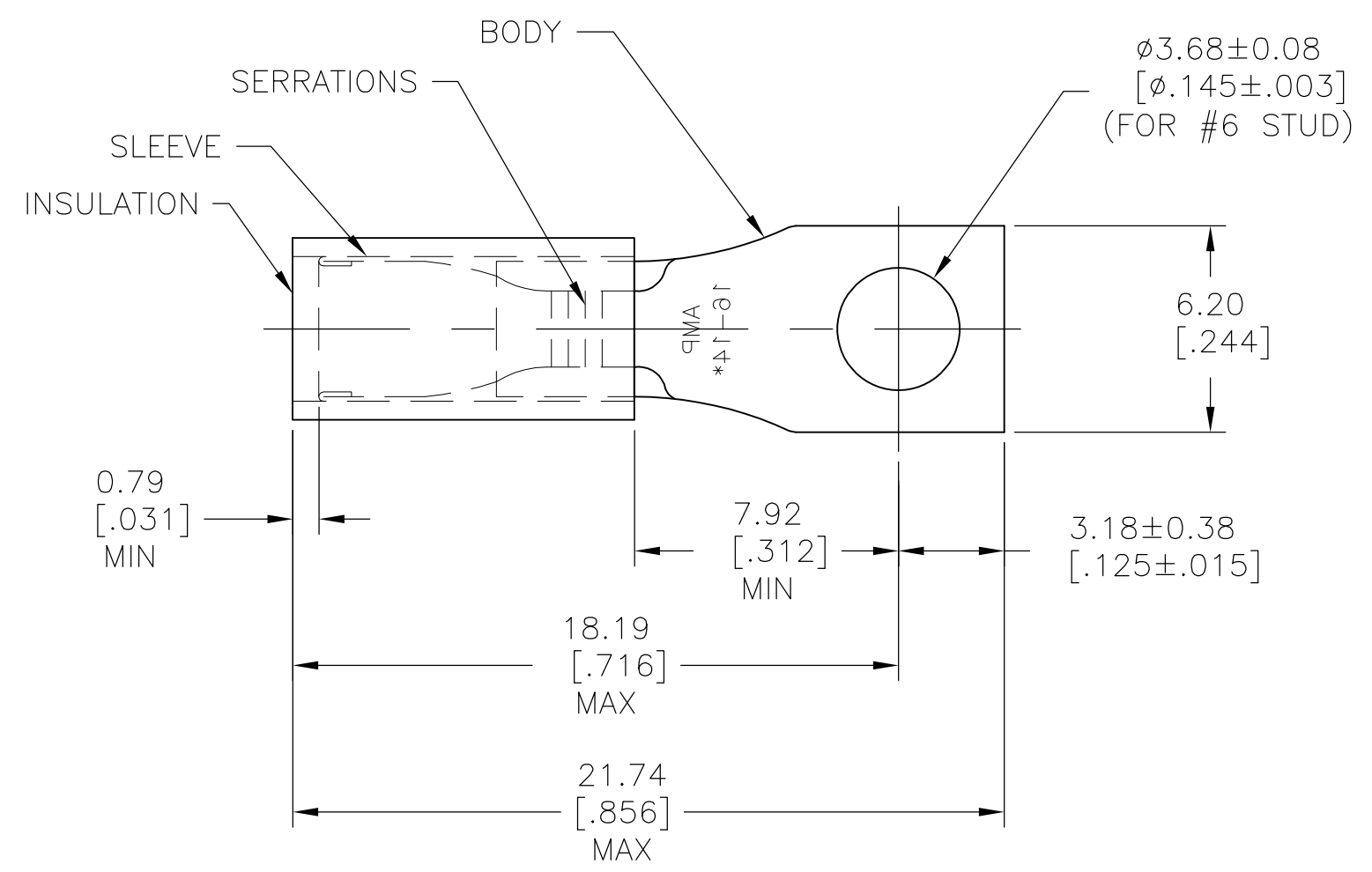


THIS DRAWING IS UNPUBLISHED. RELEASED FOR PUBLICATION
 © COPYRIGHT BY TYCO ELECTRONICS CORPORATION. ALL INTERNATIONAL RIGHTS RESERVED.

LOC	DIST	REVISIONS					
G	14	P	LTR	DESCRIPTION	DATE	DWN	APVD
		G1		REDRAWN PER ECO-09-005960	14APR09	HMR	JR



TONGUE MATERIAL THK = 0.79 ± 0.05 [$.031 \pm .002$]
 FOR 2.92 [$.115$] TO 4.32 [$.170$] WIRE INS. DIA

100	LOOSE PC, BOX	8-33173-1	INSULATION: NYLON COLOR: BLUE SLEEVE: COPPER (ASTM-B152) BODY: COPPER (ASTM-B152) TIN PL (ASTM-B545)
OBSOLETE	1 33173 ON TAPE	2 33173-1	
1	WIRE TERMINAL	33173	
QTY	DESCRIPTION	PART NO	MATERIAL & FINISH

THIS DRAWING IS A CONTROLLED DOCUMENT.		DWN RAGHAVENDRA 14APR09	Tyco Electronics Corporation Harrisburg, PA 17105-3608	
DIMENSIONS: mm [INCHES]		CHK JEFF RUTH 14APR09		
TOLERANCES UNLESS OTHERWISE SPECIFIED:		APVD Tom Michielutti 14APR09	NAME	
0 PLC ± - 1 PLC ± - 2 PLC ± - 3 PLC ± 0.20 [.008] 4 PLC ± - ANGLES ± 5°		PRODUCT SPEC	WIRE TERMINAL	
MATERIAL SEE TABLE		APPLICATION SPEC	P.I.D.G.-RECTANGULAR TONGUE	
FINISH SEE TABLE		WEIGHT -	WIRE SIZE: 16-14	
		SIZE A3	CAGE CODE 00779	DRAWING NO G-33173
		CUSTOMER DRAWING		RESTRICTED TO -
		SCALE 5:1	SHEET 1 OF 1	REV G1

X-ON Electronics

Largest Supplier of Electrical and Electronic Components

Click to view similar products for [Terminals](#) category:

Click to view products by [TE Connectivity](#) manufacturer:

Other Similar products are found below :

[00-054007-01074-6](#) [00-054007-70206-1](#) [00-054007-70210-8](#) [00-054007-70217-7](#) [00-054007-70226-9](#) [00-054007-70228-3](#) [00-054007-70248-1](#) [00-054007-70256-6](#) [00-054007-70301-3](#) [00-054007-70316-7](#) [00-054007-49560-4](#) [00-054007-70209-2](#) [00-054007-70225-2](#) [00-054007-70227-6](#) [00-054007-70231-3](#) [00-054007-70241-2](#) [00-054007-70242-9](#) [00-054007-70244-3](#) [00-054007-70246-7](#) [00-054007-70263-4](#) [00-054007-70288-7](#) [00-054007-70290-0](#) [00-054007-70300-6](#) [00-054007-70304-4](#) [01-2065-1-0216](#) [01-2900-1-04412](#) [00581P0075](#) [600TS-10](#) [60205-1](#) [604200-1](#) [605601-1](#) [60598-1-CUT-TAPE](#) [61314-6-C](#) [61810-3](#) [61-S](#) [61-SN](#) [626-0194](#) [62-NBM-A](#) [62-SN](#) [62-SP](#) [63-S](#) [640179-1](#) [M55155/059I03](#) [M55155/079C01](#) [M55155/099H02](#) [M55155/109H01](#) [M55155/109H02](#) [M55155/12XH05](#) [M55155/16XH02](#) [M55155/29-5S](#)