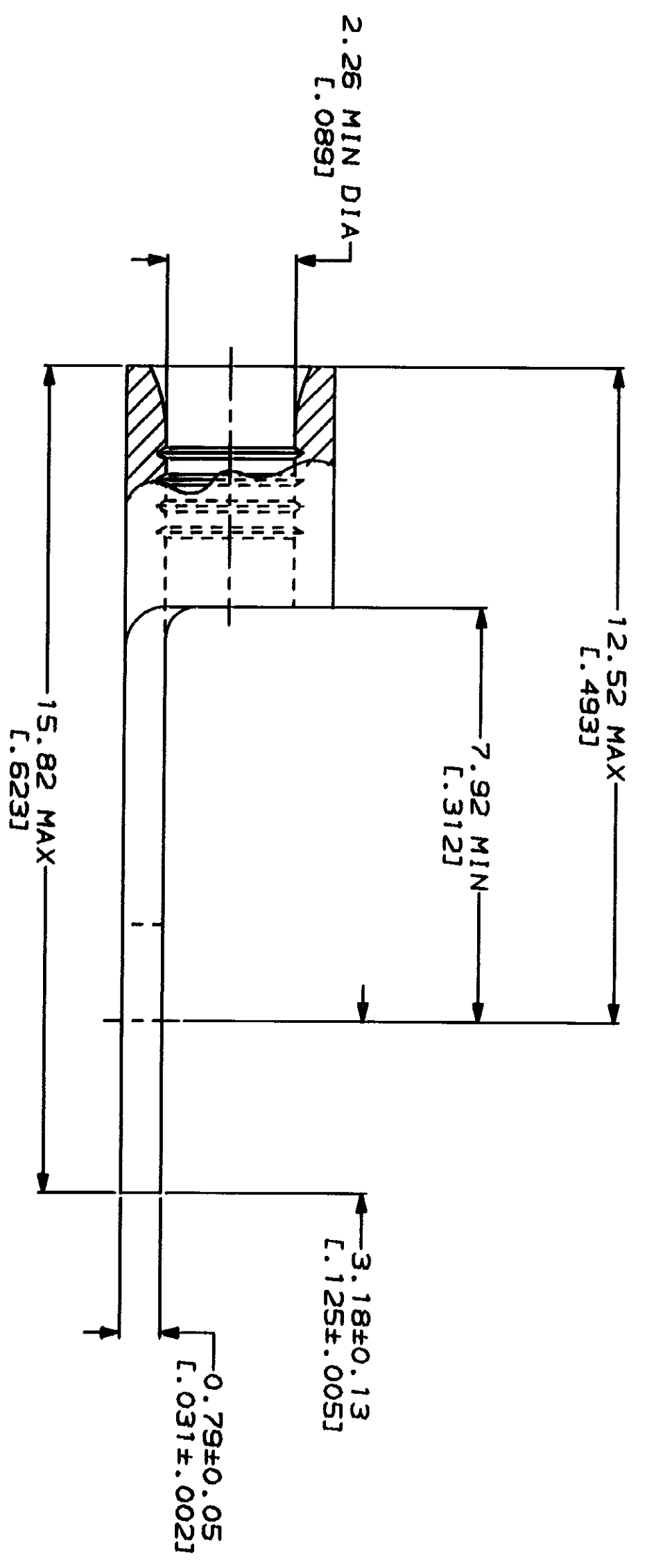
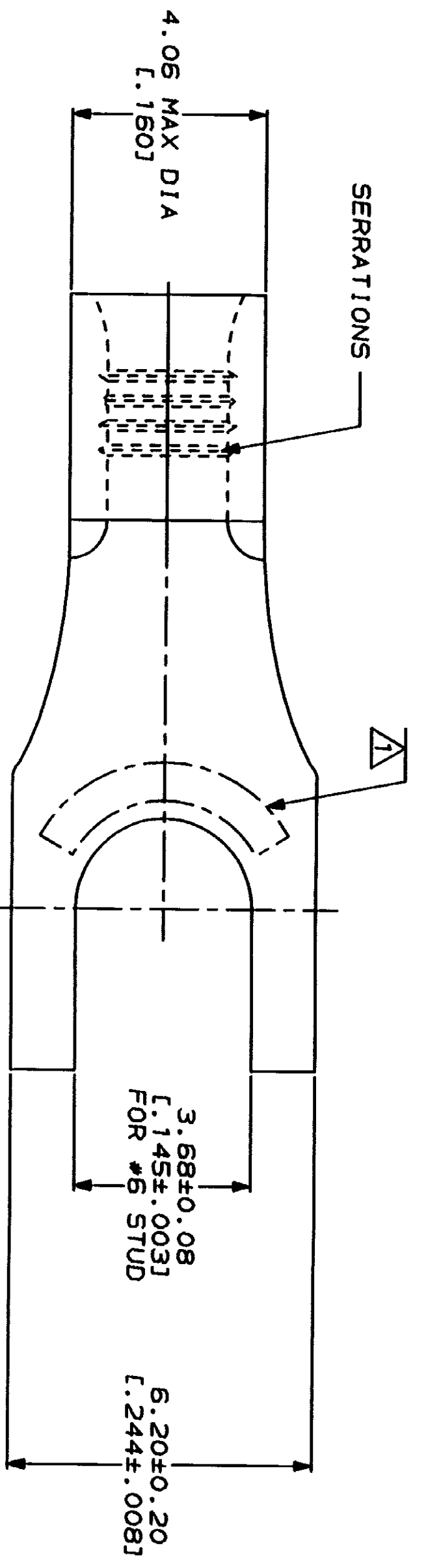


LOC	DIST	ZONE	LTR	REVISIONS	DATE	APPD
G	14		B	REVISED PER 0720-0230-93	2/25/94	DAV

METRIOR
DIMENSIONS LISTED IN mm [INCHES]



AMP WIRE RANGE 16-14 AWG STRAINED	UL E13288 Listed
• LR7189 Certified	MILITARY P/N AND CLASS
NOT CERTIFIED	NOT APPLICABLE

△ STAMP AMP 16-14* APPROX AS SHOWN

AMP INCORPORATED
CUSTOMER SERVICE SYSTEMS

FOR ADDITIONAL PRODUCT INFORMATION OR COPIES OF DRAWINGS AND TECHNICAL DOCUMENTS
1-800-522-6752

FOR APPLICATION TOOLING INFORMATION
1-800-722-1111

FOR ORDER ENTRY
1-800-526-5142

PRODUCT INFORMATION CENTER
TOOLING ASSISTANCE CENTER

MAX RECOMMENDED OPERATING TEMPERATURE: 170°C MAX

VOLTAGE RATING: NOT APPLICABLE

WIRE CROSS SECTIONAL AREA RANGE: 1.04-2.62mm² (2,050-5,180) CIR MILS STRANDED

DO NOT SCALE PRINT. UNLESS SPECIFIED DIMENSIONS IN - FINISH - TOLERANCES ON: 1. PLC DEC # - 2. ANGLES # -

MATERIAL: COPPER PER ASTM B-152 ANNEALED

FINISH: TIN PLATE 0.00254 [L.000100] MIN THK PER MIL-T-10727

DR 2-17-93 TA BRINKMAN
CHK 2-17-93 DA PATTERSON
APPD 2-17-93 DE MILLER
APPD 2-17-93 JL HECKLEY
PRODUCT SPEC

AMP
AMP Incorporated
Harrisburg, PA 17105-3508

TERMINAL, SPADE TONGUE, BUDGET

SIZE CAGE CODE DRAWING NO
SCALE 10:1 00779 G-33221

WEIGHT - APPLICATION SPEC

33221
PART NO

X-ON Electronics

Largest Supplier of Electrical and Electronic Components

Click to view similar products for [Terminals](#) category:

Click to view products by [TE Connectivity](#) manufacturer:

Other Similar products are found below :

[00-054007-01074-6](#) [00-054007-70206-1](#) [00-054007-70210-8](#) [00-054007-70217-7](#) [00-054007-70226-9](#) [00-054007-70228-3](#) [00-054007-70248-1](#) [00-054007-70256-6](#) [00-054007-70301-3](#) [00-054007-70316-7](#) [00-054007-49560-4](#) [00-054007-70209-2](#) [00-054007-70225-2](#) [00-054007-70227-6](#) [00-054007-70231-3](#) [00-054007-70241-2](#) [00-054007-70242-9](#) [00-054007-70244-3](#) [00-054007-70246-7](#) [00-054007-70263-4](#) [00-054007-70288-7](#) [00-054007-70290-0](#) [00-054007-70300-6](#) [00-054007-70304-4](#) [01-2065-1-0216](#) [01-2900-1-04412](#) [00581P0075](#) [600TS-10](#) [60205-1](#) [604200-1](#) [605601-1](#) [60598-1-CUT-TAPE](#) [61314-6-C](#) [61810-3](#) [61-S](#) [61-SN](#) [626-0194](#) [62-NBM-A](#) [62-SN](#) [62-SP](#) [63-S](#) [640179-1](#) [M55155/059I03](#) [M55155/079C01](#) [M55155/099H02](#) [M55155/109H01](#) [M55155/109H02](#) [M55155/12XH05](#) [M55155/16XH02](#) [M55155/29-5S](#)